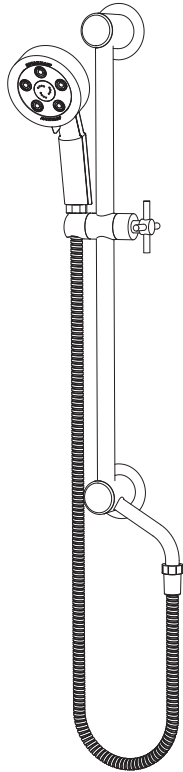


Instructions for Models:

SWS-1001



Need Help?

For additional assistance or service call:

SPEAKMAN Company
400 Anchor Mill Road
New Castle, DE 19720

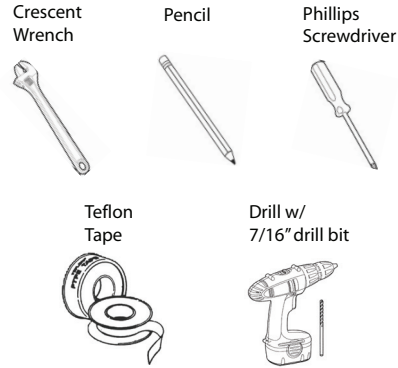
PHONE: 800-537-2107
EMAIL: customerservice@speakmancompany.com
WEB: www.speakmancompany.com

92-SWS-1001-R3

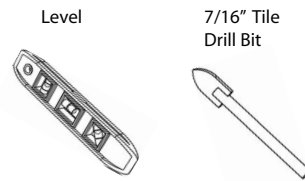
What You Need To Know:

Tools:

Required:



Helpful:



Important Notes:

Be sure to read instructions thoroughly before beginning installation. Do not overtighten any connections or damage may occur.

Safety Tips:

Cover your drain to prevent loss of parts.

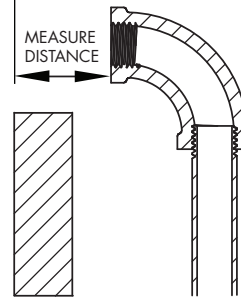
Maintenance:

Keep the Water Slide Bar looking new by cleaning it periodically with a soft cloth. Avoid abrasive cleaners, steel wool, and harsh chemicals as these will dull the finish and void your warranty. The filter can be cleaned by removing the upper end body cap, then unscrewing the center screw with o-ring and the filter cap (slotted). The filter can be cleaned and then replaced in the opposite order.

1

Turn off water supply. Remove existing showerarm (if applicable). Measure the distance between the outside of the finished wall and the face of the elbow behind the wall. Refer to the table below for required nipple length. We supply a standard 3.5" pipe nipple to accommodate typical applications. If your measurement is outside the 1.5"-2.5" dimension, you will need to purchase the appropriately sized pipe nipple for your particular application.

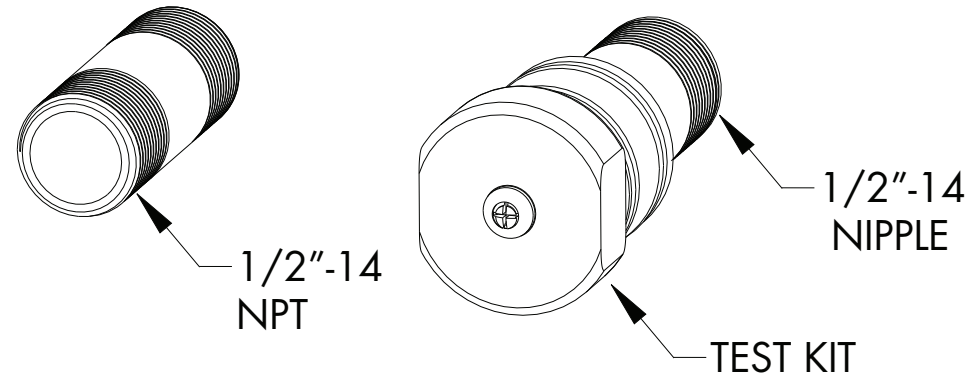
FINISHED WALL



IF DISTANCE IS BETWEEN	USE BRASS NIPPLE 1/2"-14 NPT	
1.5"-2.5"	3.5" LONG	INCLUDED WITH PRODUCT
0.5"-1.5"	2.5" LONG	NOT SUPPLIED
2.5"-3.5"	4.5" LONG	NOT SUPPLIED

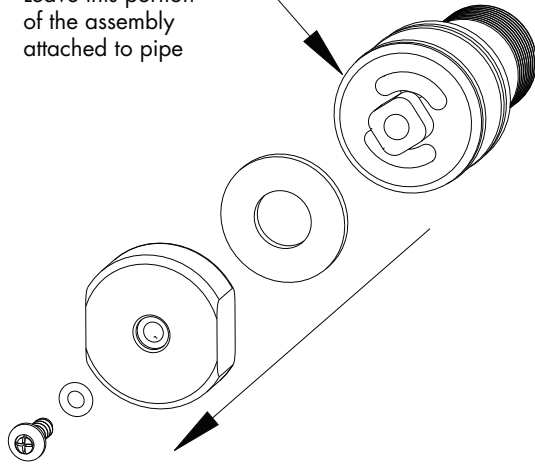
2

After establishing which nipple to use, install the right nipple into the test kit using teflon tape. Tighten the test kit, with the nipple attached to it, into the elbow behind the wall, using teflon tape. Turn on the water supply and check for leaks.

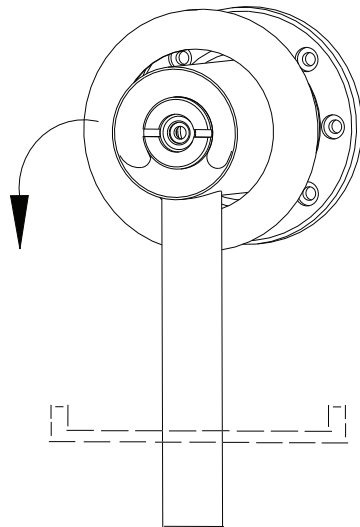


- 3** After ensuring no leaks are present, turn off water supply. Then, remove screw, small o-ring, test cap, and washer from supply nipple assembly.

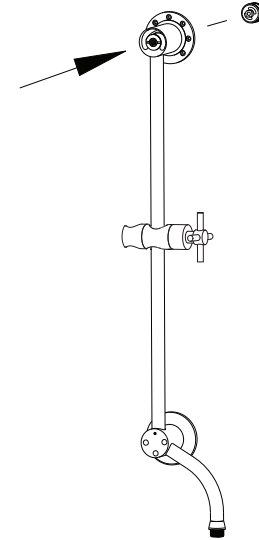
Leave this portion of the assembly attached to pipe



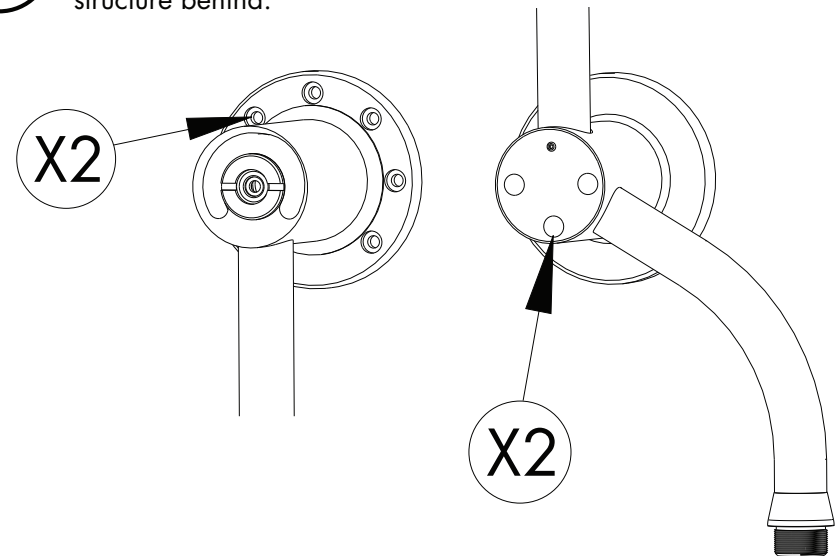
- 4** Pull back the flange cover to expose the screw holes in the upper mount. The flange cover can be rested on the shower holder until it is put back in place.



- 5** Lubricate o-rings of supply nipple assembly with Parker O-Ring Lubricant or equivalent. Install Water Slide Bar assembly until flush with wall. Using a level, align Water Slide Bar assembly to a vertical position.

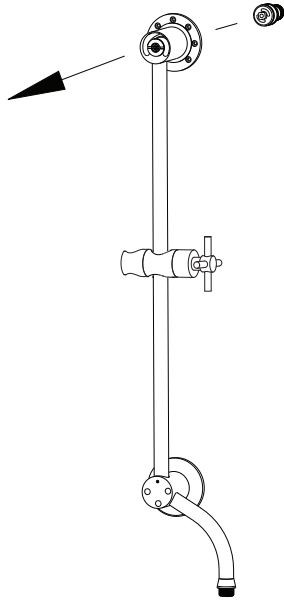


- 6** Using a pencil, mark two hole locations for the top mounting flange and the bottom housing. Be sure mounting locations have a secure structure behind.



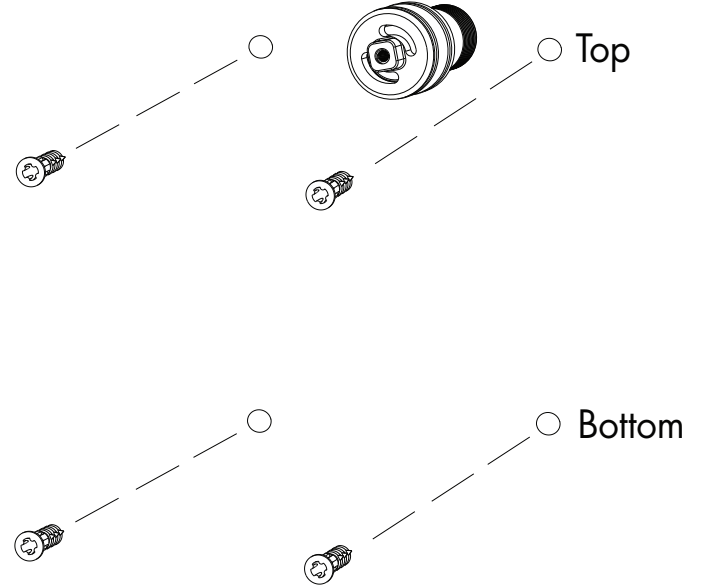
7

Remove Water Slide Bar from supply nipple.



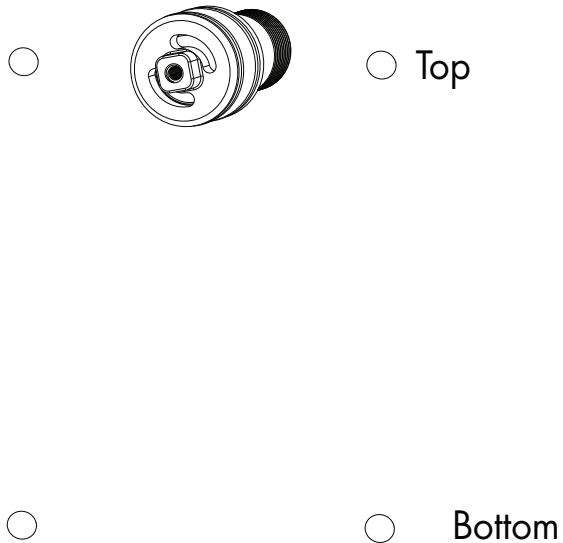
9

Insert supplied wall anchors into the holes drilled in Step 8.



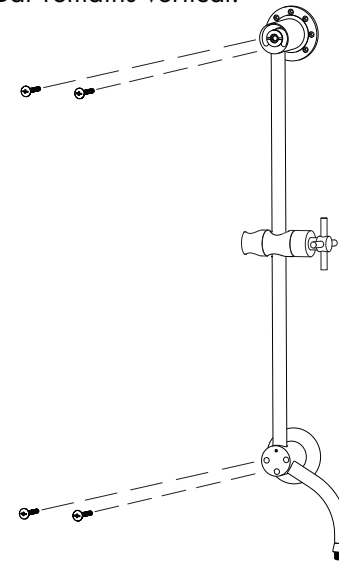
8

Drill 1/4" diameter holes at each of the four marked locations. Be sure to use a drill bit that is appropriate for the finished wall material.



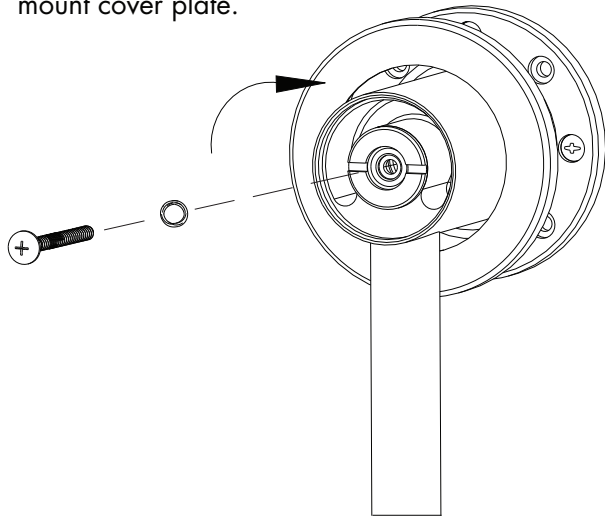
10

Using a screwdriver, tighten upper and lower mounts to the wall anchors with the supplied screws. While tightening, make sure the Water Slide Bar remains vertical.



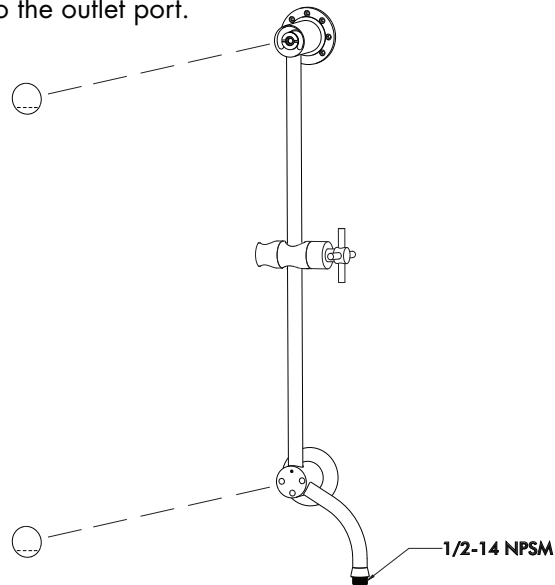
11

Install center screw with o-ring through the filter cap and into the supply nipple. At this point the water supply can be turned back on to test for leaks. If no leaks are present, reinstall the upper mount cover plate.



12

Install end body caps to Water Slide Bar assembly, making sure the flat portion is on the body. Finally, install hand-held shower assembly to the outlet port.



ROUGH-IN

