

SF-2200 SF-2250

- ▶ **Description**
Sensor Activated, Electronic, Gooseneck Hand Washing Faucet for tempered or hot/cold water operation.
- ▶ **Models**
 - SF-2200 Series 6 VDC Plug-in Transformer Powered with Battery Backup
 - SF-2250 Series Battery Powered
- ▶ **Flow Rate**
 - 2.2 gpm/8.3 Lpm Laminar Flow Outlet
- ▶ **Specifications**
ADA Compliant, Sensor Activated, 6 VDC, Chrome Plated Brass, Gooseneck Hand Washing Faucet with the following features:
 - Splash-proof Circuit Control Module
 - Infrared Sensor
 - 36" (914 mm) Long Sensor Cable
 - 24" (610 mm) Long Flex Hose
 - Filtered Solenoid Valve with serviceable Strainer Filter
 - 6 VDC Plug-in Transformer (Model SF-2200 only)
 - Aerator Spray Head
 - Includes Four (4) AA-size Batteries
 - Includes appropriate Mounting Hardware
 - Trim Plate Kit for 4" (102 mm) Centerset Sink
- ▶ **Variations** (add suffix to Model Number for inclusion with Faucet)
 - **Trim Plate** (specify one)
 - 4** 4" Trim Plate for 4" Centerset Sink
 - 8** 8" Trim Plate for 8" Centerset Sink
 - WS** Without Trim Plate
 - **Temperature Mixing Valves**
 - BDM** MIX-60-A Below Deck Mechanical Mixing Valve
 - CT** ETF-617-A Bak-Chek® Tee Fitting for Hot/Cold Mix
- ▶ **Accessories** (specify separately)
 - **Standard Outlet**
 - SFP-A22** 2.2 gpm/8.3 Lpm Aerator
 - **Vandal Resistant Outlet**
 - SFP-A22R** 2.2 gpm/8.3 Lpm Aerator



- ▶ **ADA Compliant**
- ▶ **Automatic**
The Sloan SF-2200 and SF-2250 Electronic Gooseneck Hand Washing Faucets operate by means of an infrared sensor. When the user enters the sensor's effective range, the Solenoid activates the water flow. Tempered water flows from the Faucet until the user steps away. The Faucet then automatically shuts off.
- ▶ **Hygienic**
The ultimate in sanitary protection — there are no handles to turn or buttons to push. Helps to control the spread of infectious diseases.
- ▶ **Economical**
Automatic operation provides water usage savings over other faucet devices. Reduces maintenance and operation costs.
- ▶ **Warranty**
1 year (limited)



This space for Architect/Engineer approval	
Job Name _____	Date _____
Model Specified _____	Quantity _____
Variations Specified _____	
Customer/Wholesaler _____	
Contractor _____	
Architect _____	

SF-2200 SF-2250

► Description

Sensor Activated, Electronic, Gooseneck Hand Washing Faucet for tempered or hot/cold water operation.

► Models

- SF-2200 Series 6 VDC Plug-in Transformer Powered with Battery Backup
- SF-2250 Series Battery Powered

► Flow Rate

- 2.2 gpm/8.3 Lpm Laminar Flow Outlet

ELECTRICAL SPECIFICATIONS

► Control Circuit

6 VDC Input/Output

► Transformer

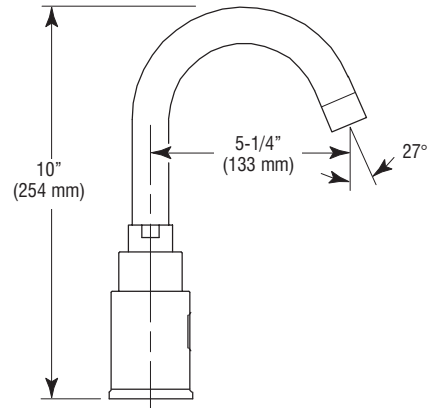
6 VDC Plug-in (Model 2200 only)

► Solenoid Valve

6 VDC,
Serviceable Strainer,
3/8" Compression Inlet,
1/2" NPSM Outlet

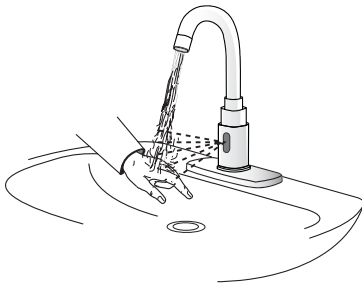
► Sensor Range

Nominal:
4" - 7" (102 mm - 178 mm)



OPERATION

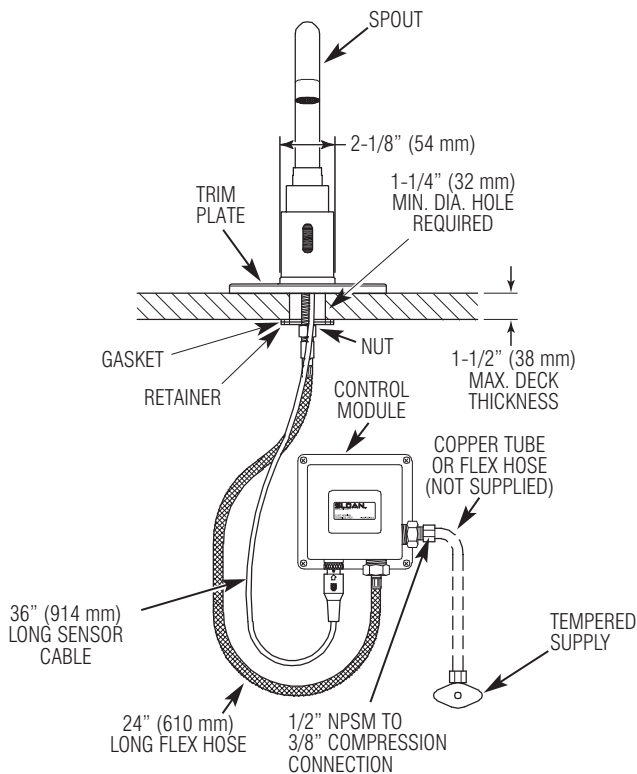
1. When a user's hands enter the sensing range, water flows from the spout.



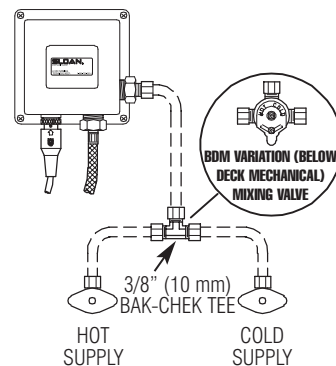
2. When hands are removed, the water flow stops.



ROUGH-IN DIMENSIONS



HOT AND COLD WATER SUPPLY APPLICATIONS (SPECIFY IN MODEL VARIATION)



SLOAN VALVE COMPANY • 10500 SEYMOUR AVENUE • FRANKLIN PARK, IL 60131

Phone: 1-800-9-VALVE-9 or 1-847-671-4300 • Fax: 1-800-447-8329 or 1-847-671-4380 • www.sloanvalve.com