



## Royal® Model Flushometer

195  
195-1.0  
195-0.5

### ► Description

Concealed Urinal Flushometer, for 3/4" back spud urinals.

### ► Flush Cycle

- Model 195 Water Saver (1.5 gpf/5.7 Lpf)
- Model 195-1.0 Low Consumption (1.0 gpf/3.8 Lpf)
- Model 195-0.5 (0.5 gpf/1.9 Lpf)

### ► Specifications

Quiet, Concealed, Diaphragm Type, Rough Brass Urinal Flushometer for either left or right hand supply with the following features:

- PERMEX™ Synthetic Rubber Diaphragm with Dual Filtered Fixed Bypass
- ADA Compliant Metal Oscillating Non-Hold-Open Handle with Triple Seal Handle Packing
- 3/4" I.P.S. Wheel Handle Bak-Chek™ Angle Stop
- Adjustable Tailpiece
- High Back Pressure Vacuum Breaker
- Spud Coupling for 3/4" Concealed Back Spud Urinals
- Sweat Solder Adapter
- Elbow Flush Connection
- Exposed parts Chrome Plated
- High Copper, Low Zinc Brass Castings for Dezincification Resistance
- Non-Hold-Open Handle, Fixed Metering Bypass and No External Volume Adjustment to Ensure Water Conservation
- Flush Accuracy Controlled by CID™ Technology
- Diaphragm, Handle Packing, Stop Seat and Vacuum Breaker to be molded from PERMEX™ Rubber Compound for Chloramine Resistance

Valve Body, Cover, Tailpiece and Control Stop shall be in conformance with ASTM Alloy Classification for Semi-Red Brass. Valve shall be in compliance to the applicable sections of ASSE 1037, ANSI/ASME 112.19.6, and Military Specification V-29193.

### ► L Dimension

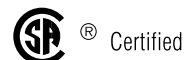
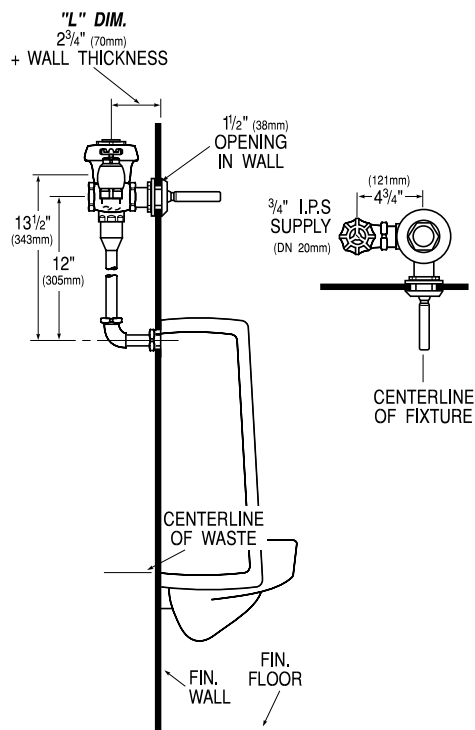
Specify the "L" Dimension for the proper length of the Handle Assembly and Flush Connection. The "L" Dimension is equal to the Wall Thickness (to the nearest whole inch) plus 2 3/4" (70 mm).

### ► Variations

- L-3** 3" Metal Oscillating Push Button (does not meet ADA requirements)

- WB** For installation with Sloan Easy Access® Wall Box

See Accessories Section of the Sloan catalog for details on these and other Flushometer variations.



This space for Architect/Engineer approval

The information contained in this document is subject to change without notice.

**SLOAN**

Made in the U.S.A.

SLOAN VALVE COMPANY • 10500 SEYMOUR AVE. • FRANKLIN PARK, IL. 60131  
Ph: 1-800-9-VALVE-9 or 1-847-671-4300 • Fax: 1-800-447-8329 or 1-847-671-4380

<http://www.sloanvalve.com>