



## Single Hole Basin Mixer with Cross Handles

Cisal Bath Collection

AC51X\*

### FEATURES

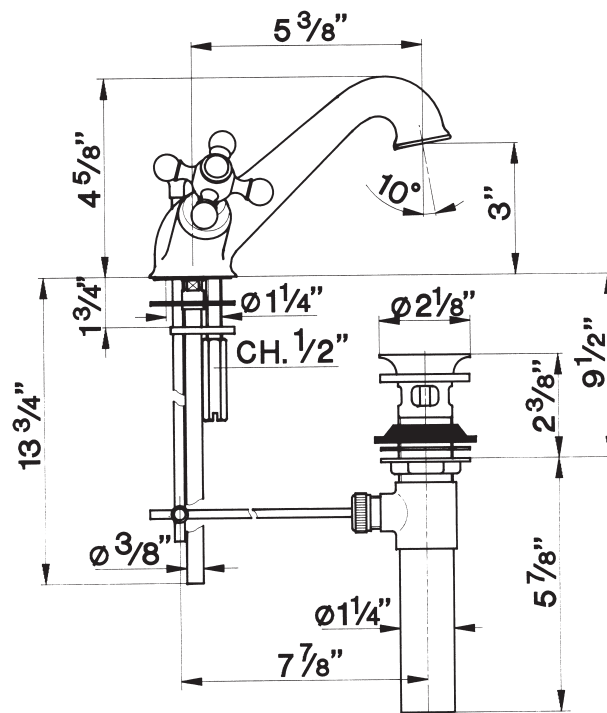
- 1 1/4" hole cutout
- 2 valve mixer
- Ceramic disc cartridge, with 90° rotation
- Fixed spout
- Pop-up drain, 1 1/4" pipe
- Spout, valve housing and pop-up made from solid brass
- Cross handle design

### COLORS/FINISHES

- Polished Chrome
- Polished Nickel
- Satin Nickel
- Tuscan Brass
- Inca Brass

### WARRANTY

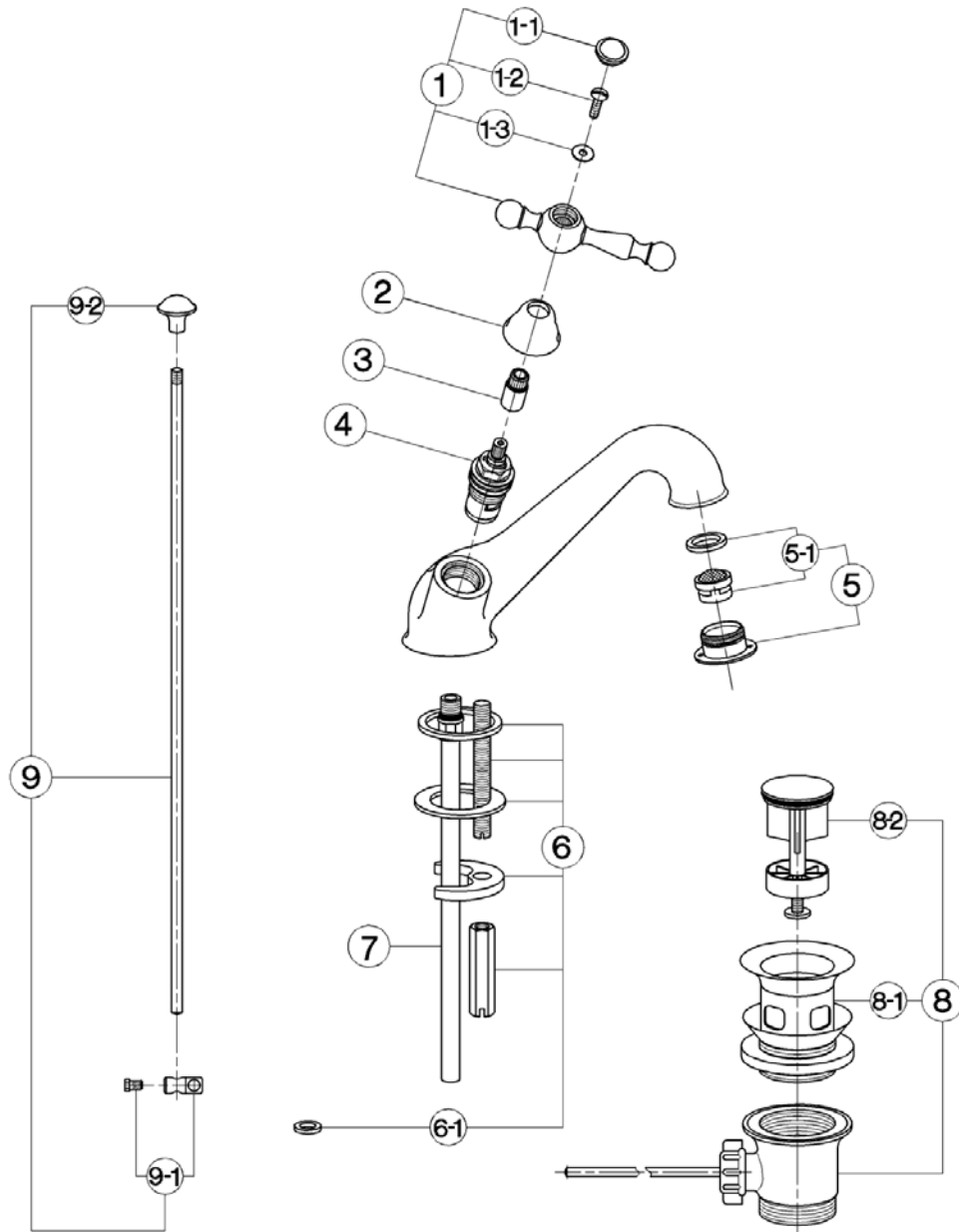
- Limited Lifetime\*
- \* No Warranty on Tuscan Brass Finish (TCB)



\* For CA/VT, place a "-2" at end of model number for code compliant product. (Example A3608LMAPC-2)

Consult your local ROHL showroom for additional information and specifications. For complete warranty details and a list of showrooms, go to [www.rohlhome.com](http://www.rohlhome.com).

## AC51 Spare Parts



- 1 – ZZ921120 – Cross handle with screw and cap (COLD)
- 1 – ZZ921110 – Cross handle with screw and cap (HOT)
- 1-1 – ZZ938610 – Cap for handle “C” for cold
- 1-1 – ZZ938620 – Cap for handle “H” for hot
- 1-2 – ZZ926500 – Screw for handle
- 1-3 – ZZ926730 – Brass washer
- 2 – ZZ926520 – Escutcheon
- 3 – ZZ926710 – Extension for head valve
- 4 – ZZ929070 – Cartridge hot counterclockwise

- 5 – ZZ930790 – Aerator complete
- 5-1 – ZZ933930 – Aerator insert only
- 6 – ZZ928510 – Installation set
- 7 – ZZ930810 – 3/8” copper supply line
- 8 – ZA007550 – Pop-up complete
- 8-1 – ZZ936880 – Plug of pop-up
- 8-2 – ZZ936890 – Waste for drain
- 9 – ZZ927590 – Rod for pop-up
- 9-1 – ZZ926220 – Connection for pop-up rod
- 9-2 – ZZ926240 – Knob for pop-up rod