



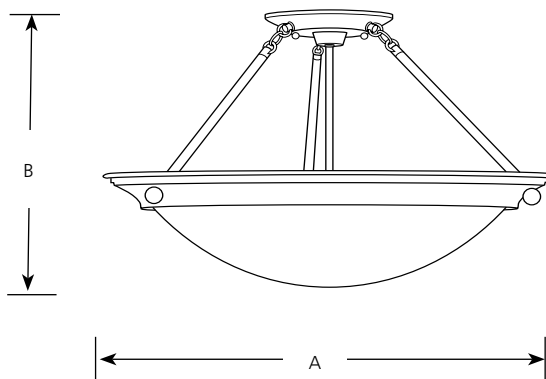
Compact Fluorescent

Eclipse
Energy Star

Close to Ceiling

Type _____
 -10EBWB -13EBWB
 P7328

Catalog No.	Finish		Lamping	Dimensions (Inches)	
	Polished Brass	Brushed Steel		A	B
P7328	-10EBWB	-13EBWB	3 13w Quad 4 pin (incl)	19-3/8	13-1/4



Specifications:

General

- Satin white glass
- Semi-flush design
- Polished brass (-10) or brushed steel (-13) plated finishes
- Units comply with Energy Star requirements
- Ideal for 9-foot ceilings or higher
- Complete with three 13 watt quad compact fluorescent lamps
- Steel construction
- Companion foyer, flush mount and wall sconce

Mounting

- Ceiling mount
- 5-1/2" dia. canopy covers a standard 4" octagonal recessed outlet box
- Mounting strap for outlet box included

Electrical

- Pre-wired
- 120v NPF electronic ballast
- G24q-1 sockets

Labeling

- UL-CUL damp location listed



Progress Lighting
 701 Millennium Blvd.
 Greenville, South Carolina
 29607

www.progresslighting.com

Rev. 9/07