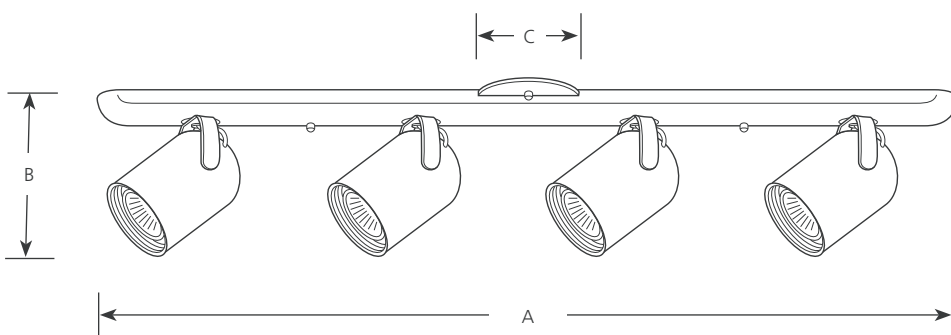




Type \_\_\_\_\_  
 -09 -174  
 P6162

Catalog No.	Finish		Lamping	Dimensions (Inches)		
	Brushed Nickel	Urban Bronze		A	B	C
P6162	-09	-174	4-50w Par 20	36	6-9/16	4-3/4



**Specifications:**

General

- Solid round back style
- Four heads mounted on a bar
- 180 degree vertical and 360 degree horizontal adjustment.
- Plated Brushed Nickel (-09), and painted Urban Bronze (-174) finishes
- Matching single lamp units available
- Steel construction

Mounting

- Wall or ceiling mounted
- Canopy covers a standard recessed 4" octagonal outlet box
- Mounting strap for outlet box included

Electrical

- Medium based sockets
- Pre-wired

Labeling

-  Damp location listed