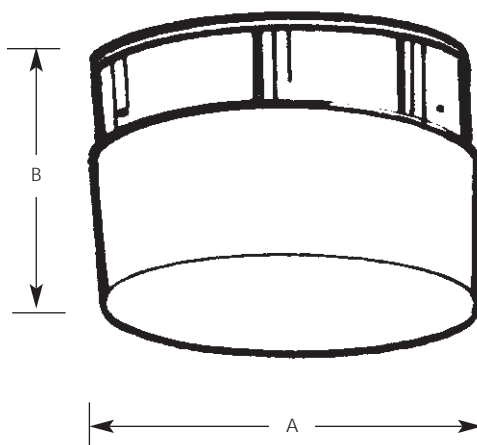


Type \_\_\_\_\_  
 -30  
 P3520

Catalog No.	Finish White	Lamping	Dimensions (Inches)	
			A	B
P3520	-30	2 (m) 75w	10-3/4	5-3/8



**Specifications:**

General

- Steel construction
- White glass
- Has three installed fitter screws to retain the glass

Mounting

- Ceiling mount
- Covers outlet box
- Mounting strap for outlet box included
- Keyhole slots for easy fixture mounting

Electrical

- Requires 90-degree supply wire connections
- Medium based porcelain sockets
- Pre-wired

Labeling

- UL-CUL Dry Location listed