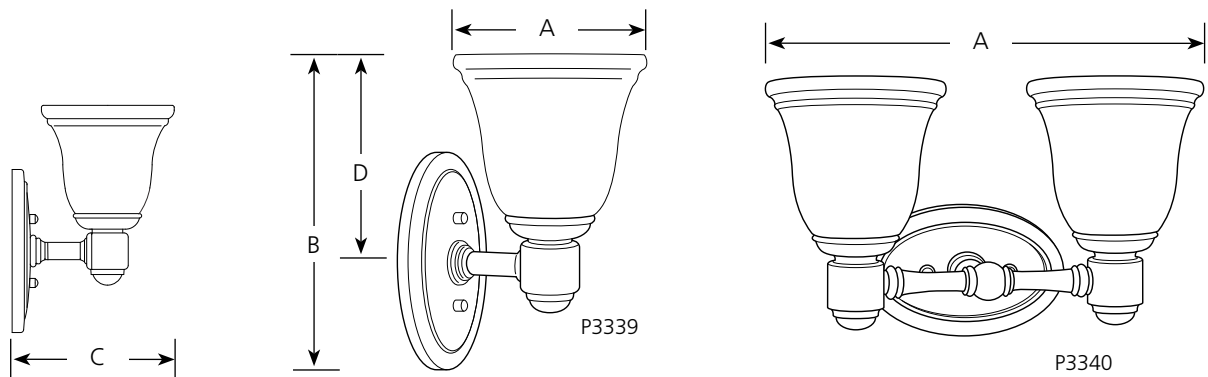


	Type		
	-09	-15	-108
P3339	<input type="checkbox"/>	<input type="checkbox"/>	<input type="checkbox"/>
P3340	<input type="checkbox"/>	<input type="checkbox"/>	<input type="checkbox"/>

Catalog No.	Finish			Lamping	Dimensions (Inches)			
	Brushed Nickel	Polished Chrome	Oil Rubbed Bronze		A	B	C	D
P3339	-09	-15	-108	1 (m) 100w	5-3/4	9-7/8	7	6-3/8
P3340	-09	-15	-108	2 (m) 100w	14-1/4	8-5/8	7	6-3/8



Specifications:

General

- Etched white opal glass shades, 5-3/4" dia. x 5" T, 1-5/8" dia. center hole
- Brushed Nickel (-09) and Polished Chrome (-15) are plated finishes
- Oil Rubbed Bronze (-108) is painted
- Can be mounted in the "up" or "down" position
- Steel construction

Mounting

- Wall mounted
- Oval backplate, 7" W x 4-1/2" T x 7/8" deep
- Canopy covers a standard 4" hexagonal outlet box
- Mounting strap for outlet box

Electrical

- Ceramic medium based sockets
- Pre-wired

Labeling

- UL-CUL damp location listed