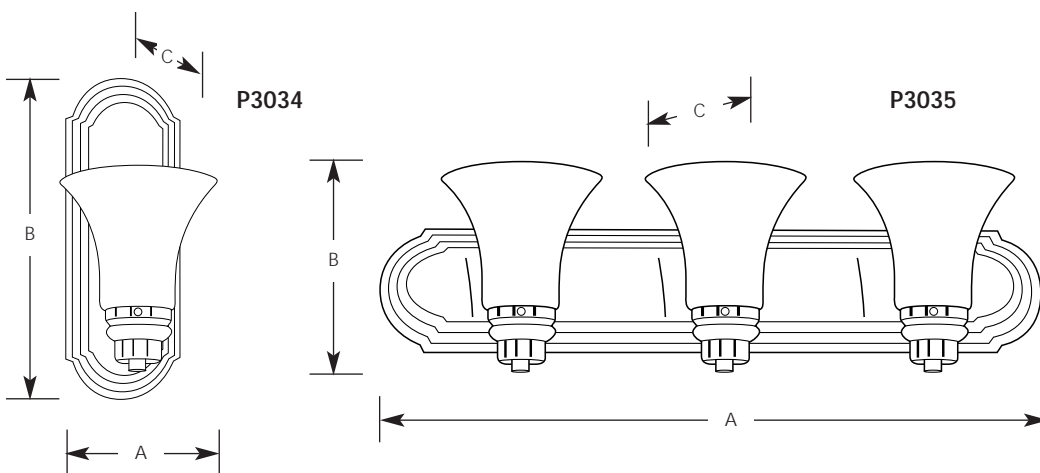


Type	_____	
	-10	-15
P3034	<input type="checkbox"/>	<input type="checkbox"/>
P3035	<input type="checkbox"/>	<input type="checkbox"/>
P3036	<input type="checkbox"/>	<input type="checkbox"/>

Catalog No.	Finish		Lamping	Dimensions (Inches)		
	Polished Brass	Polished Chrome		A	B	C
P3034	-10	-15	1 (m) 100w	5-1/2	12	7
P3035	-10	-15	3 (m) 100w	24	6-3/4	7
P3036	-10	-15	5 (m) 100w	36	6-3/4	7



**Specifications:**

General

- Unique embossed full width back plate
- Polished Brass or Polished Chrome finish
- Steel construction
- White opal flared glass
- Glass held in place with thumb screws

Electrical

- Medium base ceramic sockets
- Pre-wired

Labeling

- UL-CUL "Damp Location" listed

Mounting

- Wall mount
- Can be mounted in the up or down position
- Covers outlet box
- P3034 back plate is 4-1/2" w., 12" ht.