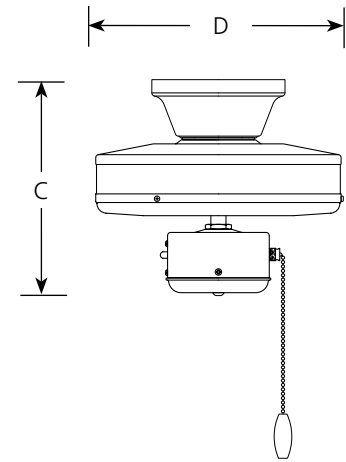
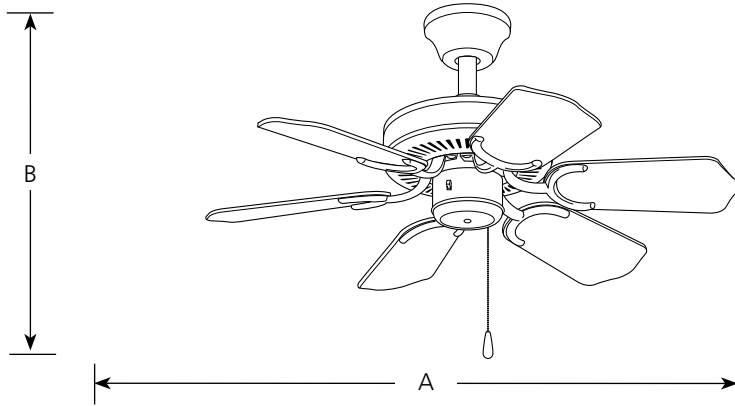


Type _____

-09 -20 -30W

P2529

Catalog No	Finish			Dimensions (Inches)			
	Brushed Nickel	Antique Bronze	White	A	B	C	D
P2529	-09	-20	-30W	30	13-1/4	9-7/16	3-3/8
Blades							
Side 1	White	Medium Cherry	White				
Side 2	Natural Cherry	Classic Walnut	White				



Specifications:

General

- 15 year limited warranty

Blades

- Six blades
- Reversible
- 18 degree pitch
- MDF blade construction

Motor

- Triple capacitor speed control; manual reverse control
- 153mm dia x 10mm high
- Pull chain on Brushed Nickel (-09) is chrome with a white fob, antique bronze (-20) is antique brass with a walnut fob, and white (-30) is brass with white fob.

Mounting

- Dual ceiling mounting on downrod, or close to ceiling
- Quick-Install canopy
- Installs without J-box screws
- Holds fan for wiring during installation
- Dual-mount for downrod or close to ceiling mounting

- A 1-1/16" x 4-1/2" downrod is included. Longer accessory downrods can be ordered separately
- Standard canopy designed for sloped ceilings up to 4:12 ceiling pitch using downrod supplied or accessory downrods
- Oversized, textured die cast hanger ball reduces noise and wobble vibrations
- Canopy covers standard recessed 4" octagonal outlet box. Note: An outlet box designed for fan installation is required (not included)

- Mounting hardware included

Electrical

- 80" lead wires included
- Pre-wired

Electrical

- Airflow—2,398 cfm
- Energy consumption—46 watts (excluding uplights)
- Airflow efficiency—52 cfm/watt

Labeling

- UL/CUL listed