

## PF9400 Series

# High-Efficiency Toilet Vitreous China - 1.28gpf



### Product Features

- Two-piece vitreous china
- 1.28 gpf HET, High Efficiency Toilet
- High Performance 3" Flush Valve
- 2" glazed trapway
- Gravity fed, double jetted box rim
- EPA WaterSense Certified
- Meets ANSI ASME A112.19.14-2006 and ASME A112.19.2M
- 8-1/2" x 7" water surface
- Available in round, elongated and ADA
- Close coupled tank with cover
- Available in white only
- Seat and supply not included
- Uses 20% less water than standard low consumption toilets



PF9401/PF9412

### Model Numbers

- PF9400WH 1.28 gpf round front bowl white
- PF9401WH 1.28 gpf elongated bowl white
- PF9403WH 1.28 gpf ADA bowl white
- PF9412WHC 1.28 gpf HET tank white w/chrome trip lever
- PF9412RWH 1.28 gpf RH tank white

### Optional Accessories

- PF140925PK Chrome trip lever - square style

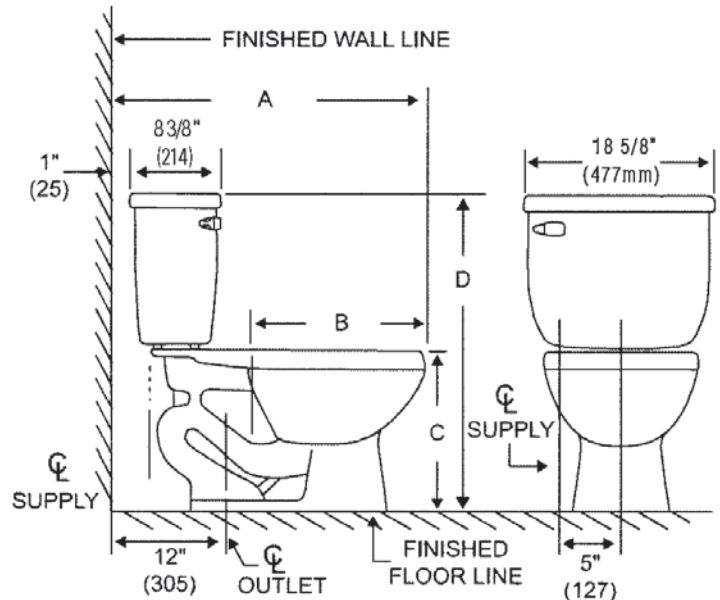
### Certifications

Meets strict flushing performance guidelines established by the EPA (Environmental Protection Agency) WaterSense program. Leadership in Energy and Environmental Design (LEED) Compliant. Los Angeles Department of Water and Power (LADWP) Compliant.

### Warranty and Codes

This product comes complete with installation, operating, care and maintenance instructions. All PROFLO fixtures carry a 1-year limited warranty. In an effort to continually improve our products, we will make design changes from time to time. We reserve the right to ship newly designed product to fill any order unless we agree in writing to do otherwise.

### Product Specifications



	RF	EL	ADA
	PF9400	PF9401	PF9403
A	28-1/4"	30-1/4"	30-1/4"
B	16-1/2"	18-1/2"	18-1/2"
C	16"	16"	17"
D	30-3/4"	30-3/4"	31-3/4"

