



Description

- Antique tissue holder
- Compatible with all standard tissue rolls
- Chrome plated all metal construction
- Concealed screw mounting
- Mounting hardware includes screws and wall anchors
- Matches Premier Sonoma faucet suite
- Antique styling complements many faucet brands

Warranty

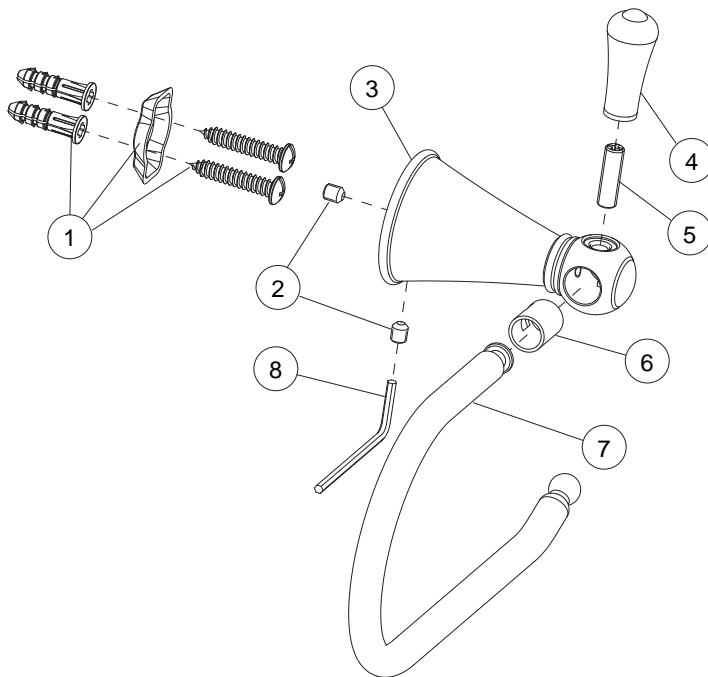
- Three Year Limited Warranty
Refer to Premier Faucet warranty program for further details and restrictions

SONOMA™

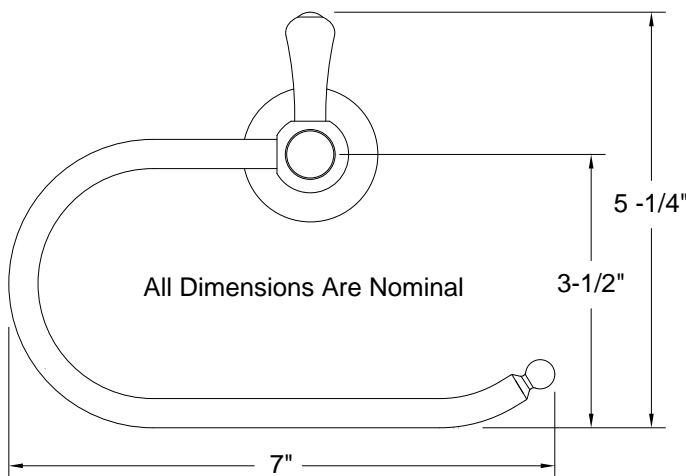


Model 552019

Genuine Premier Sonoma Accessory
Decorative Tissue Holder
Chrome Plated Finish



No	Part Name	Material	Qty.
1	MOUNTING KIT	PLASTIC / METAL	1
2	SET SCREW	STEEL	2
3	BRACKET	METAL	1
4	FINIAL	METAL	1
5	SPINDLE	STEEL	1
6	BUSHING	PLASTIC	1
7	TISSUE HOLDER	METAL	1
8	ALLEN WRENCH	STEEL	1



All Dimensions Are Nominal

