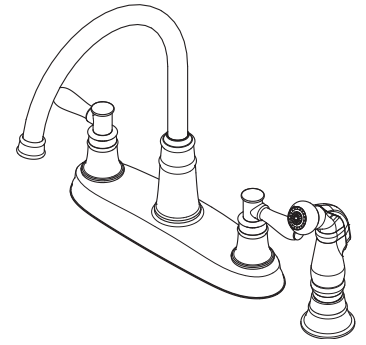


F-036-CL4C Finish(C)

F-036-CL4S Finish(S)



- High Arc Swivel Spout

Specifications

Features

- 2.2 GPM Flow Rate
- Fixed Body
- High Arc Swivel Spout
- Installs With or Without Side Spray (Without Side Spray: Must Order Part 972-005)
- Mounting Hardware Included
- Pforever Seal Ceramic Disc Valve
- Pforever Warranty®

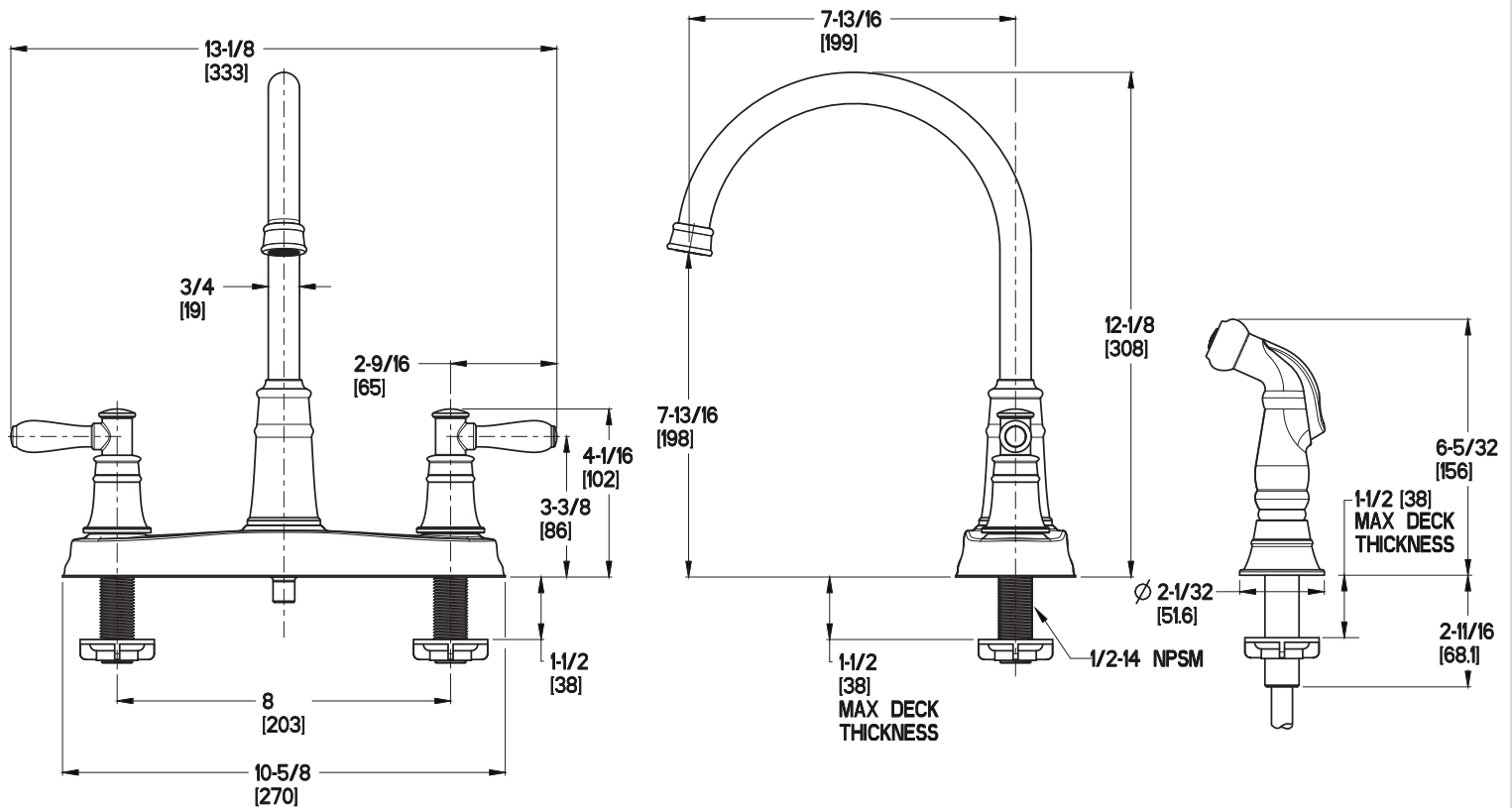
Code Compliance

Pfister products are designed and manufactured in compliance with the following standards and codes:

- IAPMO Certified
- CSA B125 Certified
- ASME A112.18.1
- NSF 61/9 Annex G (Low lead)
- ADA Compliant-ANSI A117.1 (Lever handles only)



Dimensions



Ø1-3/8 Min to Ø1-1/2 Max. Deck Hole Openings