

NuTone®

Hampton Series

MODELS:
625244SNC, 625244BZC, 625244COC, 625244WHC, 625244CHC
RECESSED MOUNTED, MEDICINE CABINETS

Table 1

INSTALLATION INSTRUCTIONS

MODEL NO.	WALL OPENING			OVERALL SIZE	
	W	H	D	W	H
625N244SNC	14	24	3-1/2	15-3/4	25-1/2
625N244BZC	14	24	3-1/2	15-3/4	25-1/2
625N244COC	14	24	3-1/2	15-3/4	25-1/2
625N244WHC	14	24	3-1/2	15-3/4	25-1/2
625N244CHC	14	24	3-1/2	15-3/4	25-1/2

INSTALLATION of CABINET

1. Carefully remove all packing material. Place hardware packages, and shelves aside until needed.
2a. **Replacing an existing recessed bath cabinet.**
Remove existing cabinet from the wall. Measure the rough wall opening. The opening must be the size shown in (Table 1) above. If the opening is the proper size, the cabinet will easily fit between existing studs. Then, continue to Step 3. If the opening is too large, new framing may be required. If the opening is too small, the existing wall cut out may need to be enlarged. The services of a professional carpenter are highly recommended for any wall modifications.

NOTE: The rough wall opening must be free of all obstructions. If plumbing or electrical lines interfere with the wall opening, they must be relocated. This must be done in accordance with local and national codes preferably by a plumber and/or electrician.

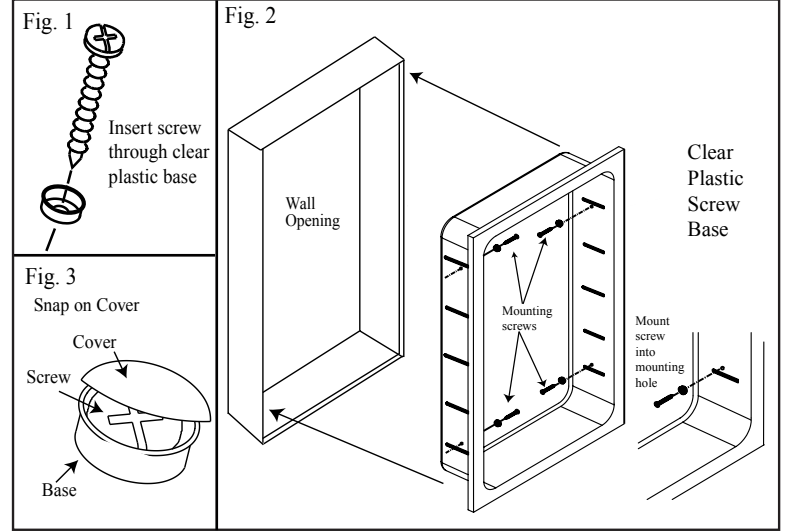
2b. **Installing a recessed bath cabinet into new construction.**
Determine desired location of cabinet on wall. Mark wall to show wall opening size (see Table 1). Cut wall opening, being careful not to damage the surrounding wall surface. Insert framing to support all plaster board edges. NOTE: The services of a professional carpenter are highly recommended for any wall modifications. Wall studs, plumbing or electrical lines that interfere must be removed or relocated.

This must be done in accordance with local and national codes preferably by a plumber and/or electrician.
3. Prepare the mounting screws by placing the screws into the clear plastic bases. (Fig. 1)

4. Insert cabinet into wall opening. Note: For ease of installation, an additional person is recommended. Ensure the cabinet is plumb and level. If necessary use a carpenter's level and shim corners of cabinet. Secure to the wall studs through the four (4) mounting holes inside cabinet, using the screws that have been placed into the plastic bases. (Fig. 2)

****IMPORTANT**Do not over tighten the mounting screws as the body side wall may bend and prevent proper shelf installation. Only tighten the mounting screws until they are flush with the body.**

5. Snap the screw covers over the screw bases. (Fig. 3)
6. Carefully slide shelves into the cabinet body.

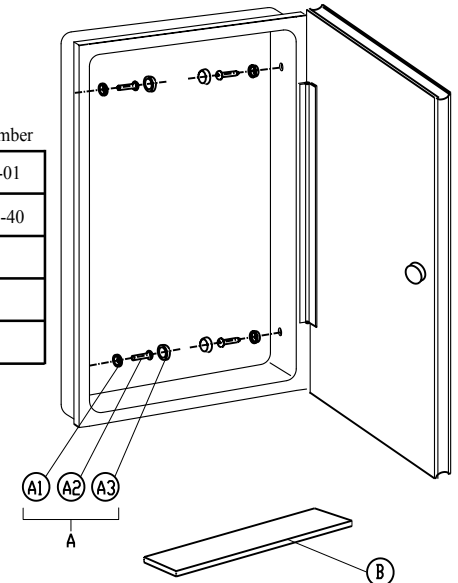


SERVICE PARTS

Order by Part Number

Item No	Part Description	Qty	Part Number
A	*Accessory Bag	1	26-116-01
B	Glass Shelf	1	31-138-40

*Accessory Bag includes QTY 4 of each;
A1 (Screw Base, Clear)
A2 (Screw, 6x1-1/4)
A3 (Screw Cap, White)



MIRROR CARE

- Use only clean warm water and a clean, soft, lint-free cloth.
- DO NOT USE cleaners that contain solutions of ammonia, vinegar, or chlorine.
- DO NOT USE powdered cleansers or steel wool.
- Never spray cleaning agent directly on mirror especially on exposed edges and mirror backing. Apply cleaner to soft cloth and wipe mirror. Dry mirror thoroughly.
- Keep mirror dry. A well ventilated bath room is important.

BROAN-NUTONE ONE YEAR LIMITED WARRANTY

Broan-NuTone warrants to the original consumer purchaser of its product that such products will be free from defects in materials or workmanship for a period of one year from the date of original purchase. THERE ARE NO OTHER WARRANTIES, EXPRESS OR IMPLIED, INCLUDING, BUT NOT LIMITED TO, IMPLIED WARRANTIES OF MERCHANTABILITY OR FITNESS FOR A PARTICULAR PURPOSE. During this one-year period, Broan-NuTone will, at its option, repair or replace, without charge, any product or part which is found to be defective under normal use and service. THIS WARRANTY DOES NOT EXTEND TO FLUORESCENT LAMP STARTERS AND TUBES. This warranty does not cover (a) normal maintenance and service or (b) any product or parts which have been subject to misuse, negligence, accident, improper maintenance or repair (other than by Broan-NuTone), faulty installation or installation contrary to recommended installation instructions.

The duration of any implied warranty is limited to the one-year period as specified for the express warranty. Some states do not allow limitation on how long an implied warranty lasts, so the above limitation may not apply to you. BROAN-NUTONE'S OBLIGATION TO REPAIR OR REPLACE, AT BROAN-NUTONE'S OPTION, SHALL BE THE PURCHASER'S SOLE AND EXCLUSIVE REMEDY UNDER THIS WARRANTY. BROAN-NUTONE SHALL NOT BE LIABLE FOR INCIDENTAL, CONSEQUENTIAL OR SPECIAL DAMAGES ARISING OUT OF OR IN CONNECTION WITH PRODUCT USE OR PERFORMANCE. Some states do not allow the exclusion or limitation of incidental or consequential damages, so the above limitation or exclusion may not apply to you. This warranty gives you specific legal rights, and you may also have other rights, which vary from state to state. This warranty supersedes all prior warranties.

To qualify for warranty service, you must (a) notify Broan-NuTone at the address or telephone number stated below, (b) give the model number and part identification and (c) describe the nature of any defect in the product or part. At all time of requesting warranty service, you must present evidence of the original purchase date.

Broan-NuTone LLC, 926 West State Street, Hartford, WI 53027 (1-888-336-3948)