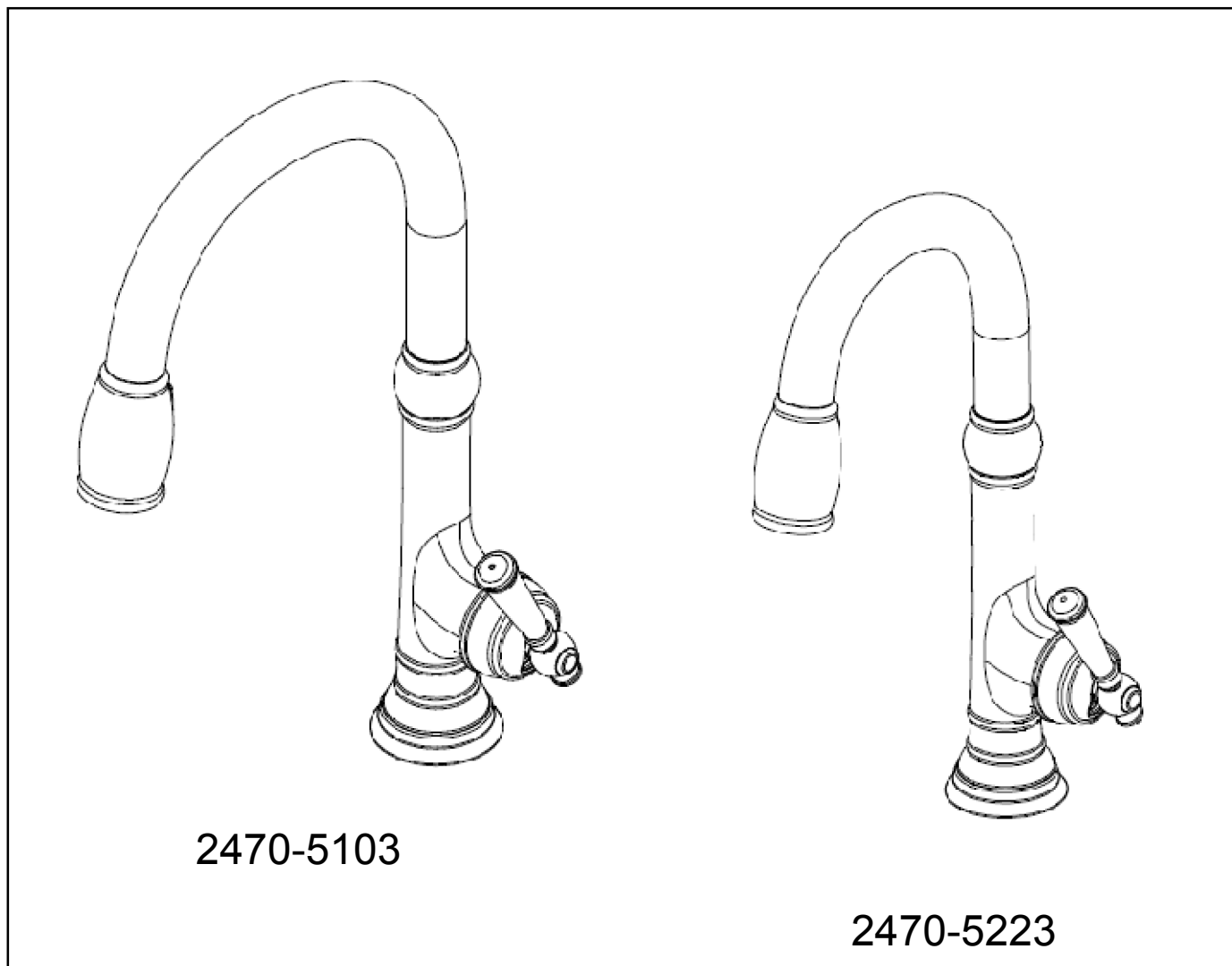


INSTALLATION INSTRUCTIONS
KITCHEN FAUCET WITH
PULLDOWN SPRAY

NEWPORT BRASS
Flawless Beauty. From Faucet to Finish.™

Model No's: 2470-5103, 2470-5223



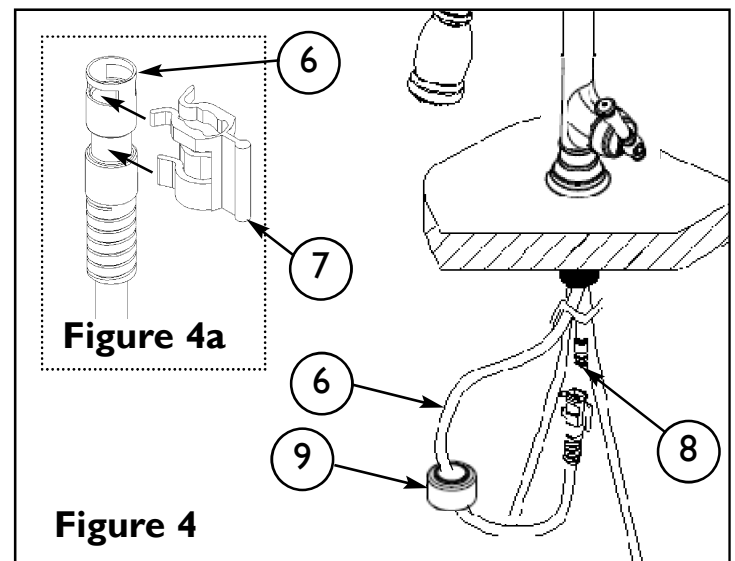
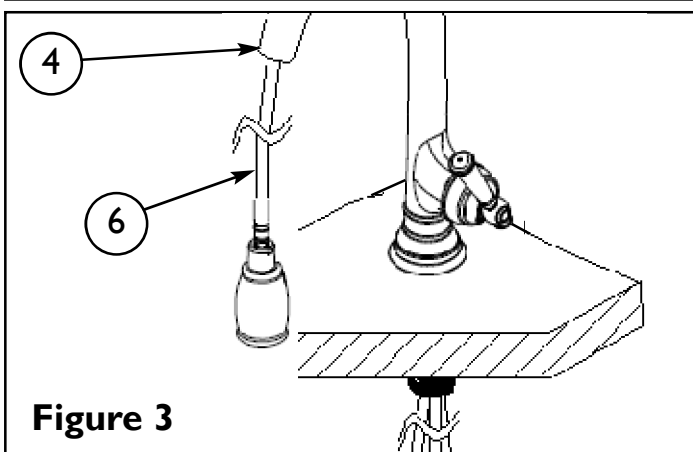
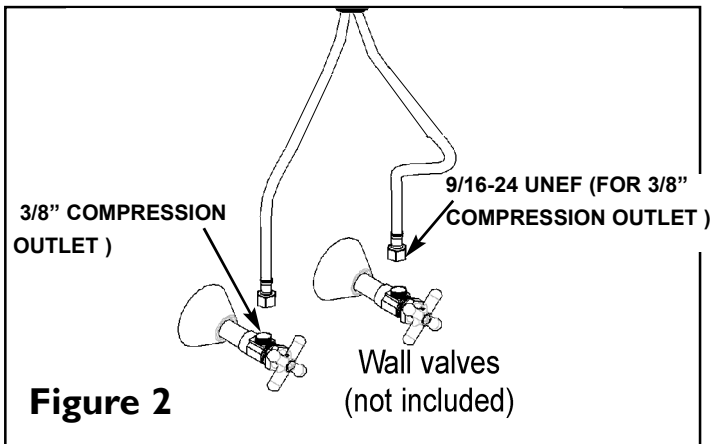
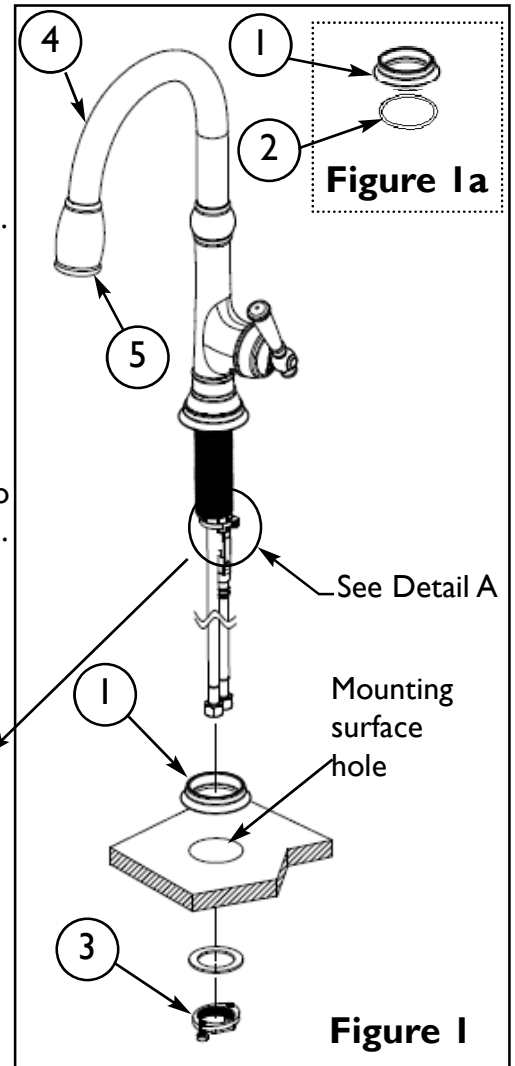
**Congratulations on the purchase
of your Newport Brass product,
an excellent choice, that will give you
years of quality service and enhance
the look and style of your home.**

Recommended Installation by a Professional Plumbing Contractor

Note: The use of petroleum base plumbers putty on our products will nullify the warranty. We recommend the use of clear silicone sealing materials.

If mounting faucet to stainless steel rim, an under-mount support, (e.g. wood, appropriate size x 1/2" thick), should be utilized.

1. Drill hole in mounting surface. Recommended deck hole $\text{Ø}1.350''$ not to exceed $\text{Ø}1.562''$.
2. Place O-ring (2) on underside of base RING (1). **See Figure 1a.**
3. Insert Hoses through base RING (1) and hole in mounting surface. Secure into place with MOUNTING KIT (3). **See Figure 1.**
4. Attach hot/cold spout supply directly to valves in the wall. See Fig. 2
5. **DO NOT** remove the HOSE (6) from SPOUT (4). **See Figure 3.**
6. Slide WEIGHT(9) onto HOSE(6). **See Figure 4.**
7. Attach CLIP (7) to HOSE (6) as shown. **See Figure 4a.** Connect to valve OUTLET (11) by firmly pressing together until it clicks into place. **See Figure 4.**



8. With faucet in the OFF position, open water supply valves. Inspect connections under sink for leaks. **DO NOT** turn faucet on yet.

9. Pull SPRAYHEAD (5) out from SPOUT (4). While holding HOSE (6), unscrew SPRAYHEAD (5). Aiming HOSE (6) into sink, turn on faucet to center position (mixed) and flush for one minute to remove debris from lines.

10. Turn OFF faucet and reattach SPRAYHEAD (5) to HOSE (6). **See Figure 5.**

11. Check the SPRAYHEAD (5) by operating the trigger from aerator to spray.

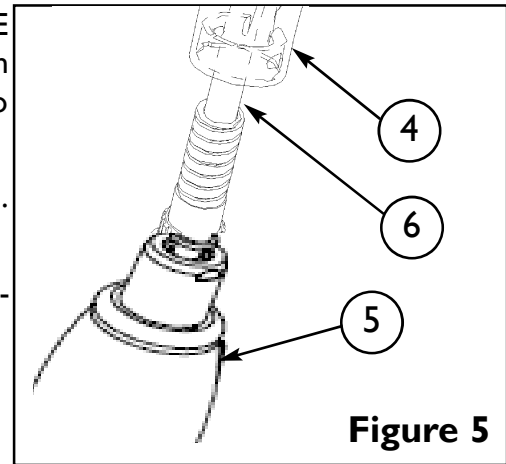


Figure 5

BILL OF MATERIAL (CURRENT LEVEL)				
ITEM	PT/ASSY	DESCRIPTION	TYPE	QTY.
1	2-783	BASE RING ASM	ASSEMBLY	1
2	2-785	MAIN BODY ASM, JACOBEAN	ASSEMBLY	1
3	91540	SWIVEL SLEEVE, BOTTOM	PART	1
4	91030	O-RING #2-115	PART	4
5	11807	SPOUT, JACOBEAN PULL-DOWN	PART	1
6	91544	MAGNET DOCKING	ASSEMBLY	1
7	3-417	SPRAY HEAD, JACOBEAN	ASSEMBLY	1
8	11877	HOSE, PULLDOWN SWIVEL	ASSEMBLY	1
9	1-064	SINGLE LEVER CARTRIDGE	PART	1
10	2-781	CART. RETAINER ASM	ASSEMBLY	1
11	2-793	HANDLE HUB ASM, JACOBEAN	ASSEMBLY	1
12	2-733	HANDLE ASM, JACOBEAN	ASSEMBLY	1
13	92035	SCREW- FLT HD M4 X .7 X 10mm	PART	1
14	91534	CARTRIDGE STEM INSERT	PART	1
15	91255	O-RING, (PARKER #2-011)	PART	2
16	91568	RETAINER CLIP	PART	1
17	1-256	MOUNTING KIT	ASSEMBLY	1
18	2-778	CAP ASM	ASSEMBLY	1
19	91341	ZIP TIE	PART	1
20	1-258	WEIGHT ASM	ASSEMBLY	1

Figure 6 - Spare Parts