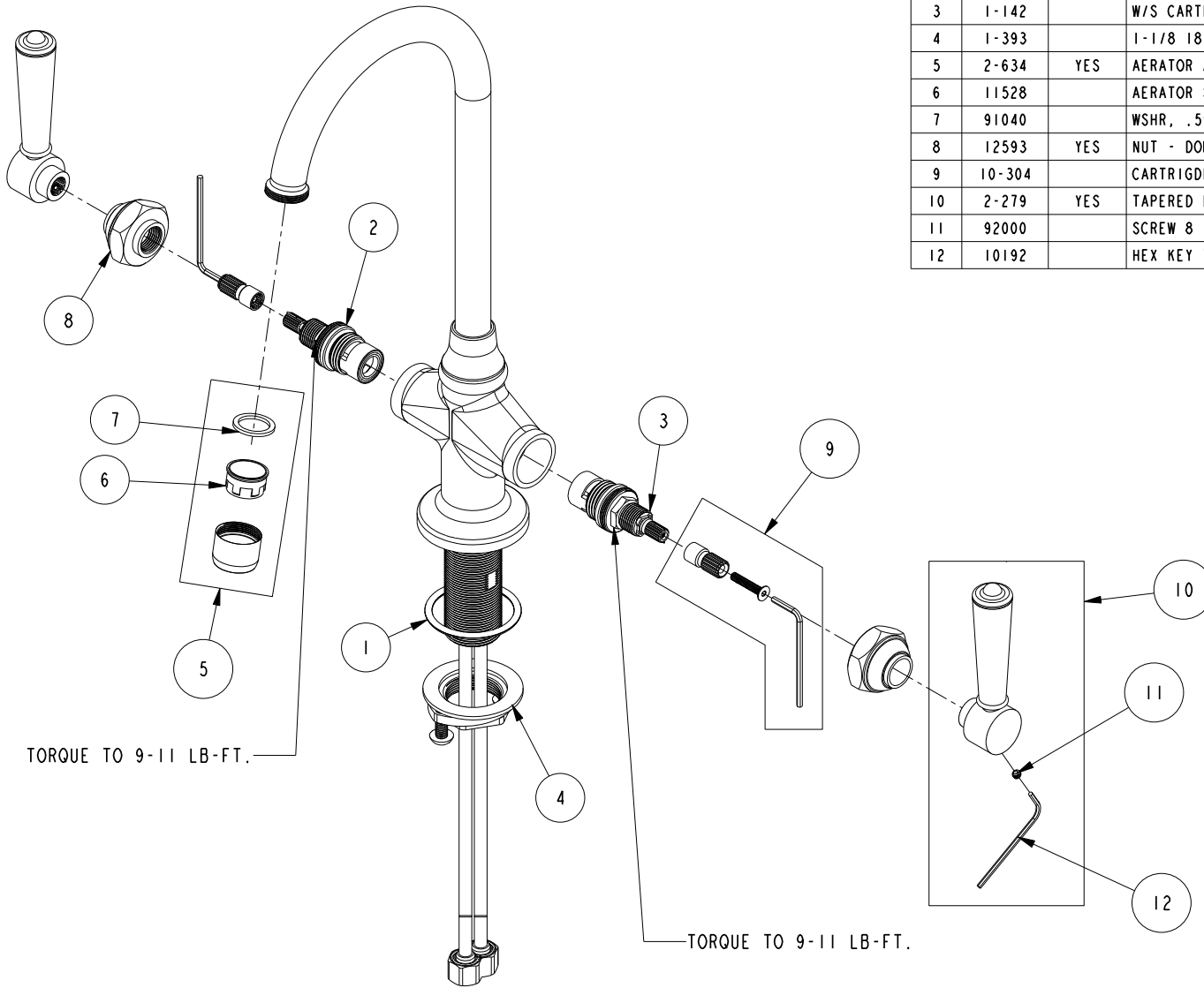


REPLACEMENT PARTS

ITEM	PT/ASSY	SPECIFY FINISH	DESCRIPTION
1	91748		O-RING, #2-223, EP, 50 DURO - GREY
2	1-141		W/S CARTRIDGE - COLD
3	1-142		W/S CARTRIDGE - HOT
4	1-393		1-1/8 18 UNEF MOUNTING KIT
5	2-634	YES	AERATOR ASM - BAR SPOUT
6	11528		AERATOR STD INSERT
7	91040		WSHR, .590 ID X .825 OD X .072 THK, FLT, RUBBER NSF 61
8	12593	YES	NUT - DOME HEX
9	10-304		CARTRIDGE STEM ADAPTER KIT
10	2-279	YES	TAPERED LEVER HNDL ASM
11	92000		SCREW 8 - 32 X 1/8 SS
12	10192		HEX KEY TOOL, #8 5/64



**BAR FAUCET
1208**

REV H EN-4741 12/05/23 APPROVED RS

NEWPORT BRASS.

t: 949.417.5207 | www.newportbrass.com