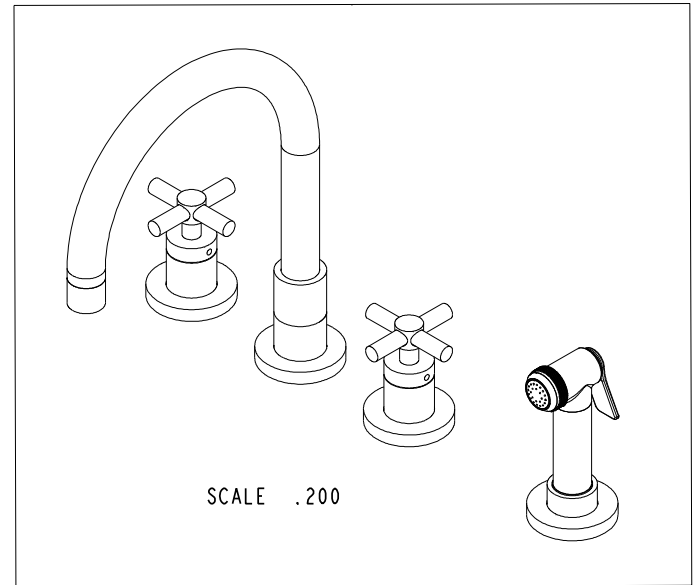
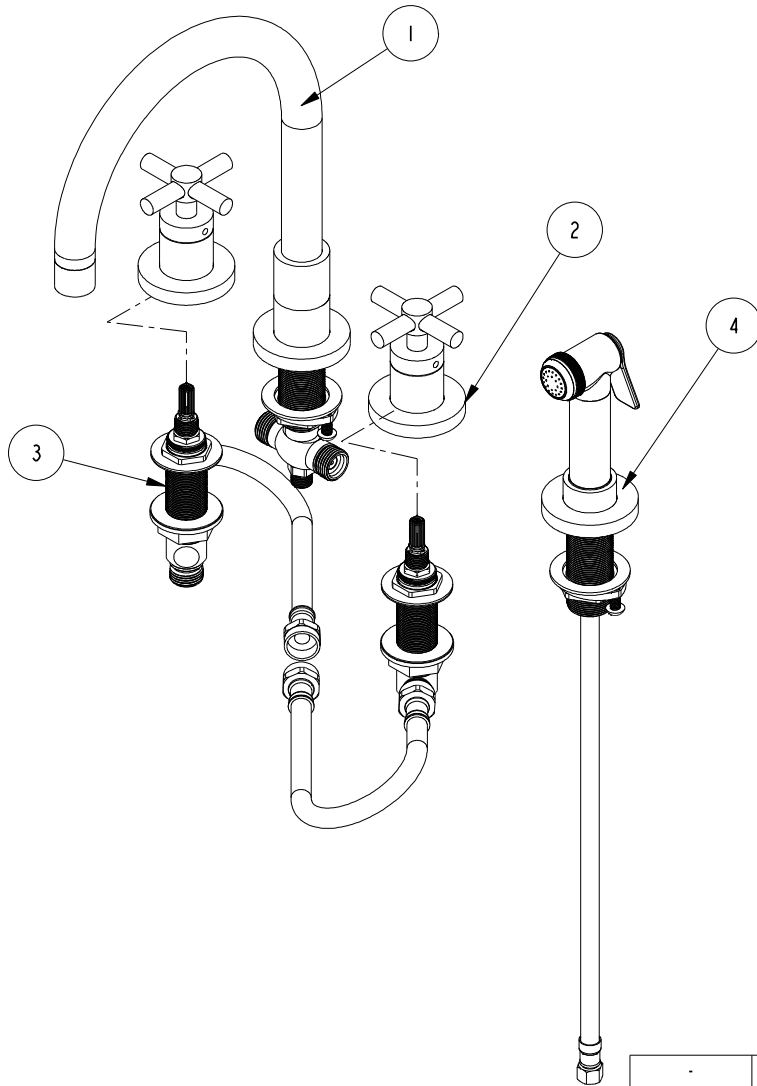


NOTES:

1. TO INSPECT ASSEMBLY, FOLLOW FIRST ARTICLE AND IN PROCESS INSPECTION SHEET.

**BILL OF MATERIAL (CURRENT LEVEL)**

ITEM	PT/ASSY	DESCRIPTION	TYPE	QTY.
1	3-246	KITCHEN SPOUT ASM	ASSEMBLY	1
2	3-227	HANDLE TRIM - STOP VALVE	ASSEMBLY	2
3	1-541	VALVE KIT - 943	ASSEMBLY	1
4	1291	KITCHEN SPRAY HEAD	ASSEMBLY	1



TESTING	-	-	-
ASSEMBLY	-	-	-
PLATING	-	-	-
POLISHING	-	NEXT ASSY	USED ON
MACHINING	-	APPLICATION	
TOOLING FIXTURE #	REMOVE ALL BURRS AND SHARP EDGES		

UNITS ARE: INCHES [MM]  
 TOLERANCES ARE:  
 FRACTIONS DECIMALS ANGLES  
 ±1/16" .X ±.1 [2.5] ±1°  
 .XX ±.06 [1.5]

(X.XXX) DENOTES CRITICAL DIMS.  
 ALL THREADS ARE CRITICAL

DRAWN - -  
 CHECKED - -  
 APPROVED - -

**BRASSTECH**  
 INCORPORATED

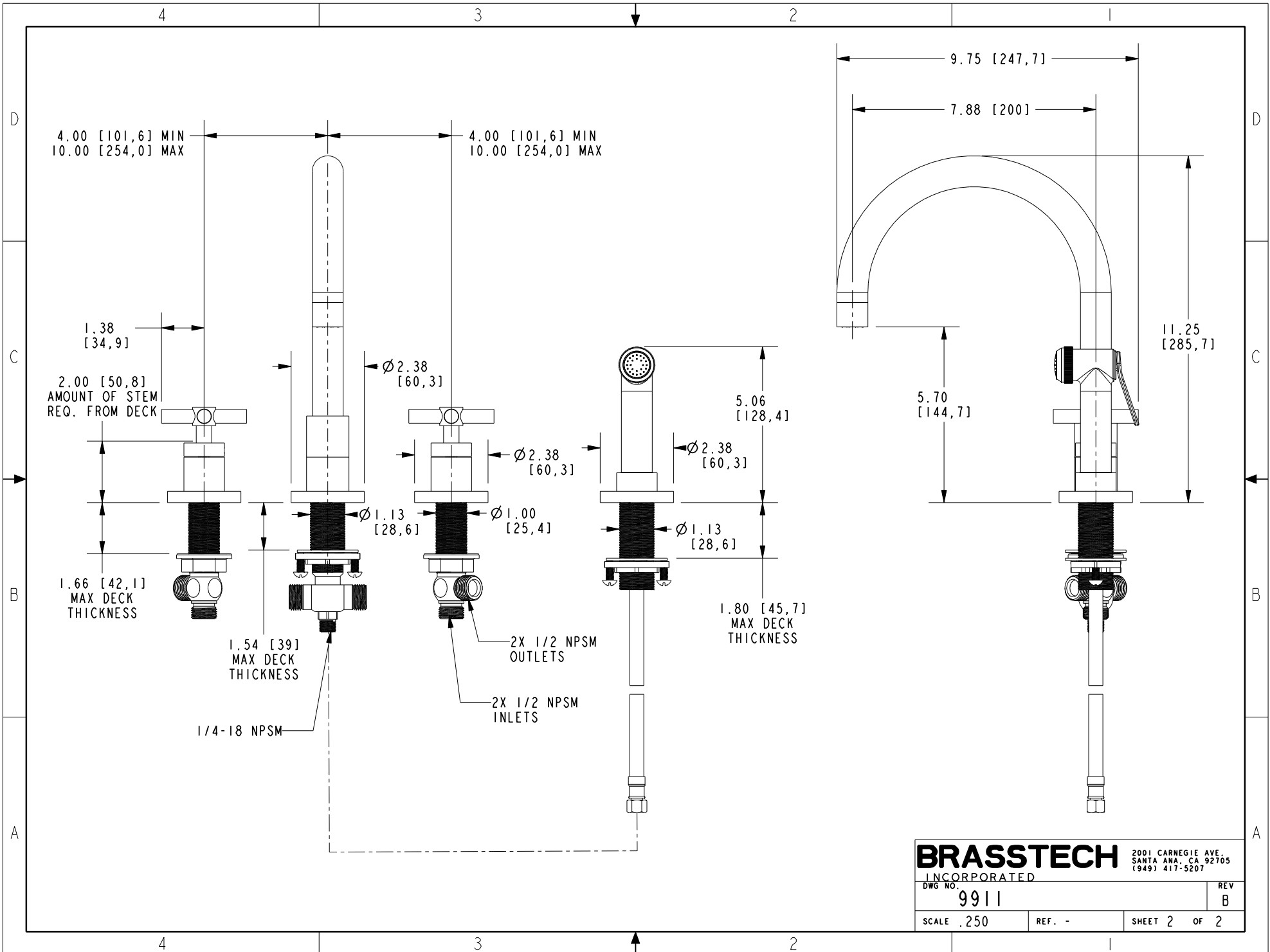
2001 CARNEGIE AVE.  
 SANTA ANA, CA 92705  
 (949) 417-5207

KITCHEN FCT W/VEG SPRY

DWG NO. 9911

SCALE .212 REF. - SHEET 1 OF 2

-	B	EN-4300gg	03/004/21	R.S.	COPYRIGHT 2005 BRASSTECH, INC. THESE DRAWINGS AND THE DESIGNS DEPICTED HEREIN ARE THE PROPRIETARY PROPERTY OF BRASSTECH. ANY USE OR REPRODUCTION IS SUBJECT TO THE EXPRESS APPROVAL OF BRASSTECH. UNAUTHORIZED USE IS STRICTLY PROHIBITED. ALL RIGHTS RESERVED.
-	A	EN-3558b	02/13/19	-	
-	-	RELEASED	-	-	
ZONE	REV	DESCRIPTION	DATE	APPROVED	



**BRASSTECH**  
 INCORPORATED  
 2001 CARNEGIE AVE.  
 SANTA ANA, CA 92705  
 (949) 417-5207

DWG NO.	9911	REV	B
SCALE	.250	REF.	-
SHEET 2		OF 2	