

# CIRCE™

## INSTALLATION INSTRUCTIONS

### BALANCED PRESSURE SHOWER TRIM

MODEL w/ CROSS HANDLE: G27-004

MODEL w/ LEVER HANDLE: G27-104



COMPLEMENT THIS PRODUCT WITH THESE  
COORDINATING ACCESSORIES:

sconce lights • mirrors • towel bars and rings • toiletry shelves and trays  
toilet tissue holders • robe hooks • hotel shelves • grab bars  
soap dishes and dispensers • tumblers • toothbrush holders • curtain rod holders

# GINGER®

US D520,606 S. US D524,905 S.

**We recommend Installation of this product by a Professional Plumbing Contractor**

**Note:** The use of petroleum based plumber's putty on our products will nullify the warranty.  
We recommend the use of clear silicone sealing materials.  
All trim must be installed on finished wall surface.

**Valve Trim Installation (Reference Figure 1)**

Prior to proceeding, it is recommended to turn off water supply to valve.

▪ **Measuring and cutting stem length:**

**Note:** For STEM (7) to be fully seated into the cartridge, ALL-THREAD (9) and NUT (10) must be tightly secured against PLATE (11).

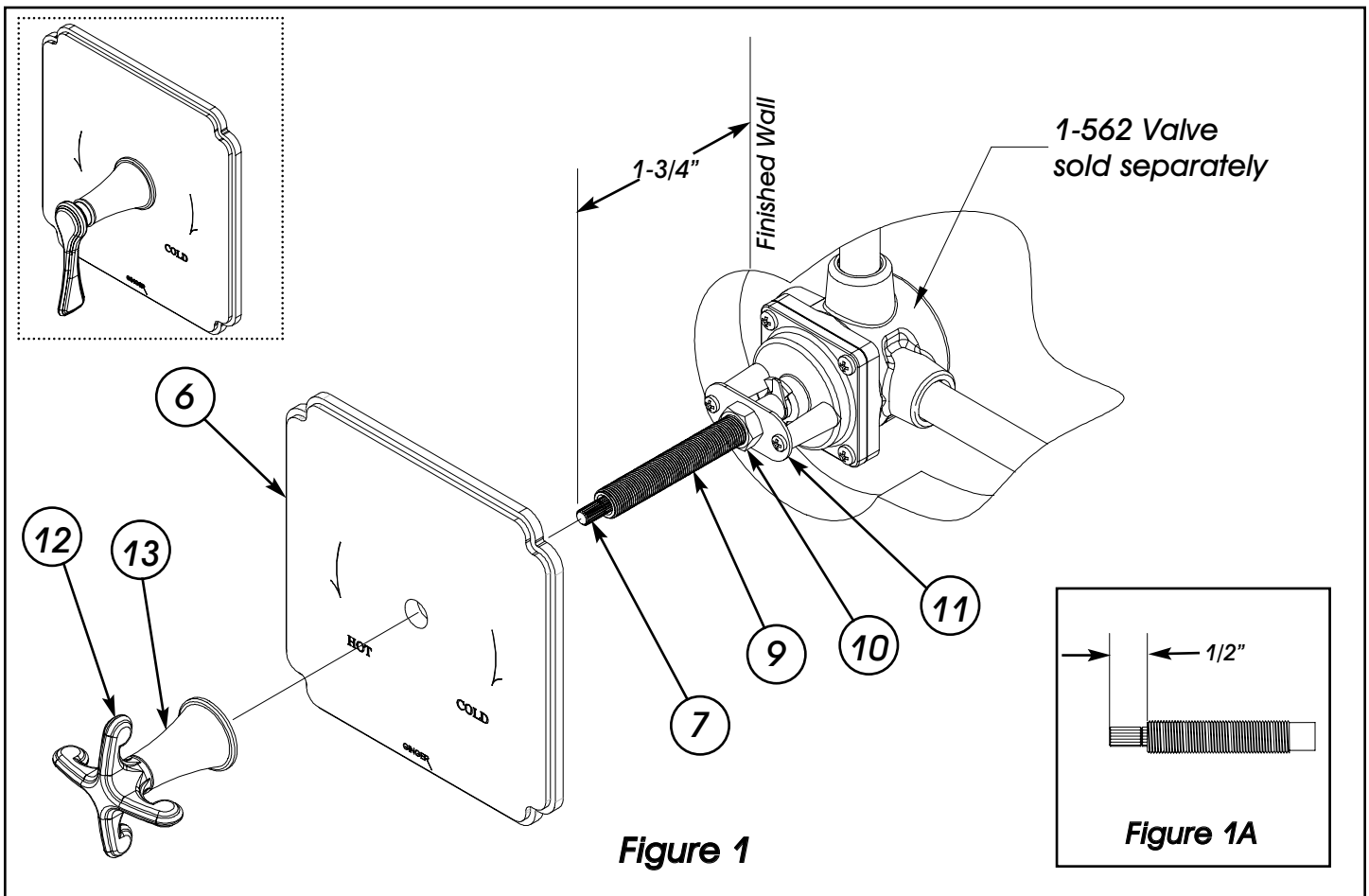
Indicate on ALL-THREAD (9) a measured distance of 1-3/4" from finished wall surface. Using a hacksaw, cut ALL-THREAD (9) and STEM (7) at this location. Trim an additional 1/2" of ALL-THREAD (9) back from end of STEM (7). See Figure 1A.

▪ **Coverplate:**

Place COVERPLATE (6) on STEM (7).

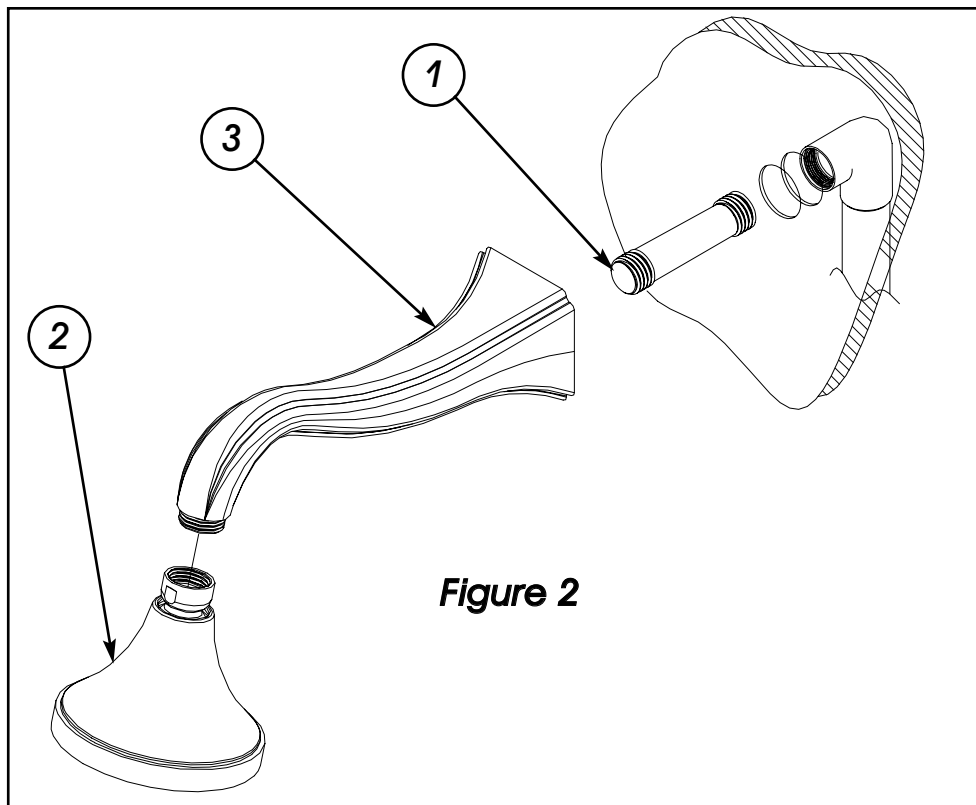
▪ **Handle:**

Secure HANDLE (12) by first engaging the STEM (7) and then threading ESCUTCHEON (13) onto ALL-THREAD (9).



## **Shower Head Installation (Reference Figure 2)**

- Based on finished wall thickness, installer must use an appropriate length 1/2" NPT NIPPLE (1), not included, for shower ARM (3) installation.
- Apply thread sealant to the threads of the NIPPLE (1) and thread into fitting behind finished wall.
- Attach shower ARM (3) to other end of NIPPLE (1).
- Turn on water supply, check for leaks and make any final adjustments required.
- Open valve and flush shower line of debris.
- Attach shower HEAD (2) to shower ARM (3).



**Figure 2**

## Ginger® Product Care

Simple care is all that is needed in maintaining this product. Abrasive cleansers, detergents and silver or brass polish may result in damage to the finish and therefore should not be used. To clean, simply wipe with a soft, water-dampened cloth. Ginger hand, deck and wall shower sprays feature easy-cleaning jets. The jets should be cleaned periodically by rubbing your thumb or a damp cloth across the jets to loosen mineral deposits. Run the shower spray briefly to purge the loosened deposits.

## Limited Warranty

Ginger warrants to the original consumer residential purchaser ("Original Purchaser") that if a Ginger product ("Product") is confirmed upon inspection to be defective in materials or workmanship during the warranty periods described below, Ginger will, at its option, either repair or replace the Product with a similar current model of the Product. If repair or replacement is not commercially practical or cannot be made in a timely manner, then Ginger will provide a refund for the Product.

## Warranty Periods and Coverage

### Product Finishes

- PVD and Polished Chrome (PC) finishes on Products other than Drains are warranted as long as the Original Purchaser owns their home.
- All other finishes are warranted for ten (10) years from date of purchase by the Original Purchaser.

### Drain Finishes

- Polished Chrome (PC), Satin Nickel (SN) and Polished Brass (PB) finishes on bath or lavatory drains of all types ("Drains") are warranted for one (1) year from date of purchase by the Original Purchaser.
- All other Drain finishes have no warranty.

### Functionality

- All Product parts except valves are warranted for ten (10) years from date of purchase by the Original Purchaser.
- Ceramic disc valves for the lavatory faucet, tub/shower and roman tub are warranted for as long as the Original Purchaser owns the home.
- All other valves (balance pressure, thermostatic, etc.) are warranted for one (1) year from date of purchase by the Original Purchaser.

## Exclusions from Coverage

***This Warranty does not cover labor charges or associated costs for, or damages occurring during the removal, transportation, return or installation of Products or replacement Products.***

*This Warranty does not cover damage or defects due to normal wear and tear, misuse, abuse, hard water, improper storage, improper handling, improper maintenance\*, improper installation\*\* or uses other than normal household usage\*\*\*.*

*This Warranty is not transferable.*

## Limitations on Remedies

***In no event will Ginger be liable for incidental or consequential damages (such as labor charges), whether based on breach of express or implied warranty, breach of contract, negligence, strict liability or any other legal theory.*** Some states do not allow the exclusion or limitation of incidental or consequential damages, so, the above limitation or exclusion may not apply to you.

*Any implied warranties, including the implied warranties of merchantability and fitness for a particular purpose, are limited to the duration of this written warranty. Some states do not allow limitations on how long an implied warranty may last, so the above limitation may not apply to you.*

## Warranty Service

*To obtain service under this Warranty, please contact your Product dealer. If you are unable to locate your dealer, please call 800-842-4872 or access the Ginger website at [www.gingerco.com](http://www.gingerco.com). Proof of purchase, such as the original purchase order, is required to issue credit to the distributor.*

## State Remedies

*This Warranty gives you specific legal rights, and you may have other rights which vary from state to state.*

\* **Maintenance** Proper maintenance is required to preserve all finishes. Do not use any abrasive cleaners, alcohol, ammonia, detergents, or brass or silver polish on the Products. For complete care requirements and recommendations, please visit our website at [www.gingerco.com](http://www.gingerco.com).

\*\* **Proper Installation** Products must be installed in accordance with the manufacturer's installation instructions supplied with the Products. For example, pipes must be flushed before faucet installations, because solder and other debris may damage ceramic discs. You may also call 800-842-4872 for copies of the installation instructions. Many of our installation instructions are also available on our website, [www.gingerco.com](http://www.gingerco.com).

\*\*\* **Commercial Purchasers** Ginger extends the above limited warranty to purchasers of Products for industrial, commercial and business use upon the same terms and conditions and exclusions applicable to residential purchasers, except that the finish and functionality warranty periods are reduced to a period of one (1) year from the date of purchase. **Additionally, with respect to commercial purchasers, all implied warranties, including the implied warranties of merchantability and fitness for a particular purpose are excluded and disclaimed.**

T: 800 842-4872  
GNG-G27-004

460-N Greenway Industrial Drive, Fort Mill, SC 29708  
[www.gingerco.com](http://www.gingerco.com)

F: 800 252-4872  
5/05/2005