

SUTTON

Tub and Shower Trim (less showerhead, arm & flange)

4-2442BP

Also 3-378

Features

- Solid brass construction
- Face plate with ADA compliant traditional cross handle and diverter pull-knob
- ADA compliant traditional cross handle assembly for control valve
- Intended for use with Newport Brass rough valve(s) as specified (Required Accessory)

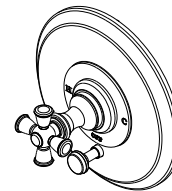
Codes / Standards Compliance

Meets or exceeds the following at date of manufacture:

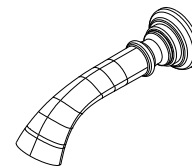
- ASME A112.18.1/CSA B125.1
- ICC/ANSI A117.1
- IAPMO/cUPC
- ASSE 1016
- IPC
- All applicable US Federal and State material regulations
- ADA

Colors / Finishes

- 10B: Oil Rubbed Bronze
- 15: Polished Nickel
- 15S: Satin Nickel
- 26: Polished Chrome
- Other: Refer to the Newport Brass catalog for additional color/finish options.



3-378



4-2442BP

Specified Model

Model	Description	Colors / Finishes				
4-2442BP	Tub and Shower Trim (less showerhead, arm & flange)	<input type="checkbox"/> 10B	<input type="checkbox"/> 15	<input type="checkbox"/> 15S	<input type="checkbox"/> 26	<input type="checkbox"/> Other
3-378	Shower System Control Valve Trim (Escutcheon/Handle)	<input type="checkbox"/> 10B	<input type="checkbox"/> 15	<input type="checkbox"/> 15S	<input type="checkbox"/> 26	<input type="checkbox"/> Other

Required Accessory:

Trim(s), above, and Rough Valve(s), below, must be specified.

Application	Tub Only Valve*	Shower (or Tub) Valve	Tub & Shower Valve	Shower System Valve	Control Valve
Description	2-Cartridge Assembly	Balance Pressure (BP)	BP w/ Diverter	Thermostatic	Diverter (3/4 port)
Inlet/Outlet Size	1/2"	1/2"	1/2"	3/4"	1/2"
Part Number	<input type="checkbox"/> NA	<input type="checkbox"/> NA	<input type="checkbox"/> 1-595	<input type="checkbox"/> NA	<input type="checkbox"/> 1-617
Image					

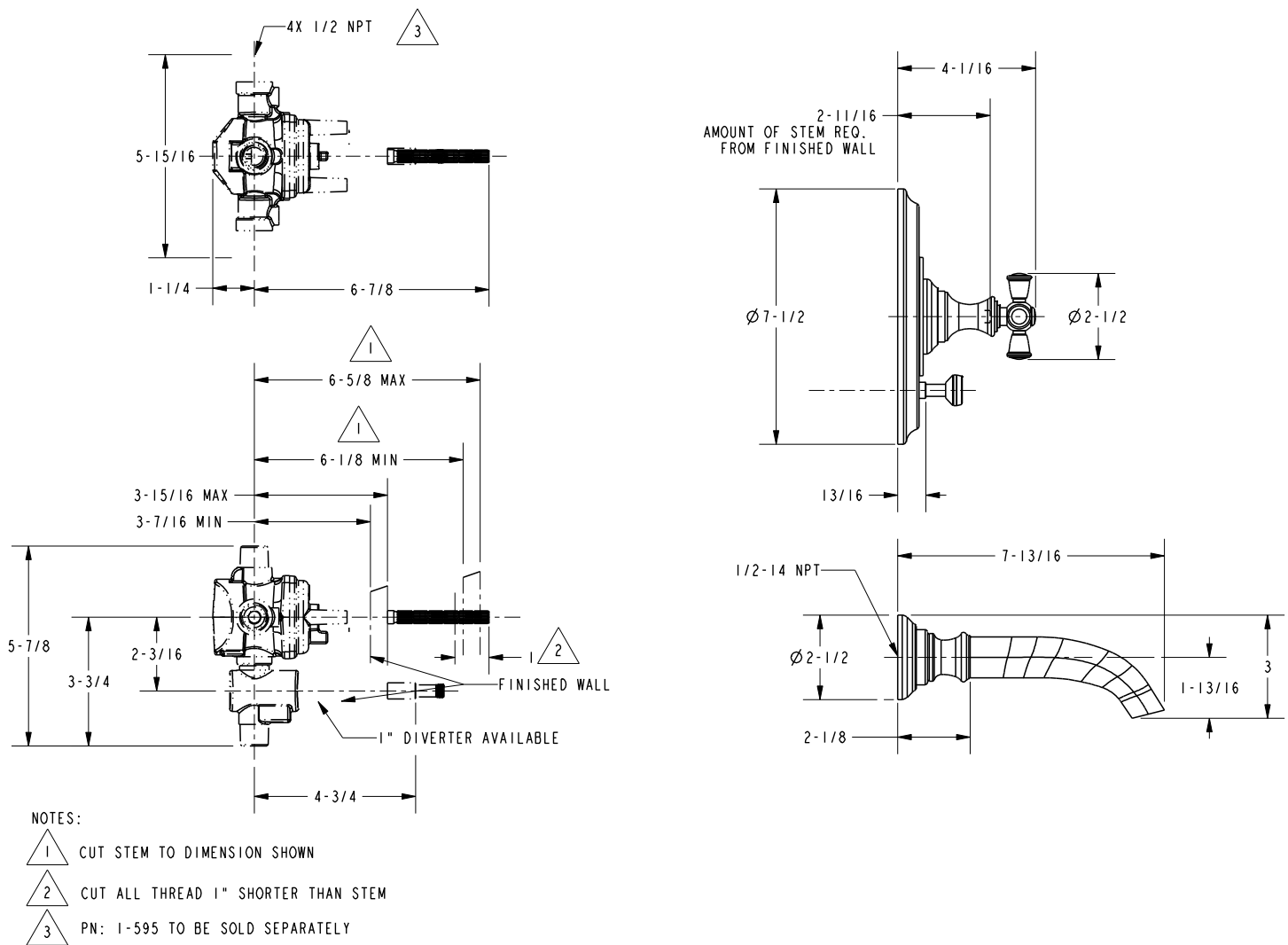
Product Specification:

Add "Color / Finish" suffix to Model number, below.

The single-control Tub and Shower Trim (less showerhead, arm & flange) shall be made of solid brass construction. Tub and Shower Trim (less showerhead, arm & flange) shall include faceplate with ADA compliant handle and diverter pull-knob. Shower System Control Valve Trim(s) (Escutcheon/Handle) shall be ADA compliant when used with specified Shower System Control Valve. Tub and Shower Trim (less showerhead, arm & flange) shall be Newport Brass Model 4-2442BP/_____ and single-control Tub and Shower rough valve shall be Newport Brass Model 1-595. Shower System Control Valve Trim (Escutcheon/Handle) shall be 3-378/_____ and Shower System Control Valve shall be 1-617.

4-2442BP

Product Dimensions (units are in inches)



Sutton Tub and Shower Trim (less showerhead, arm & flange)
4-2442BP

NEWPORT BRASS
 Flawless Beauty. From Faucet to Finish.™