

SUTTON

Toilet Tissue Holder **35-27**

Features

- Solid brass construction
- Single-post, open roller design
- Complements Sutton product series

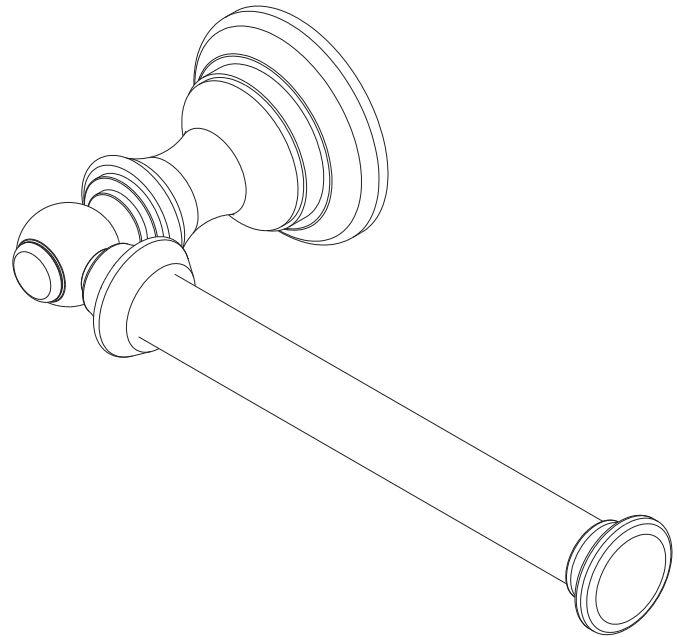
Codes / Standards Compliance

Meets or exceeds the following at date of manufacture:

- All applicable US Federal and State material regulations

Colors / Finishes

- 15: Polished Nickel
- 15S: Satin Nickel
- 26: Polished Chrome
- 10B: Oil Rubbed Bronze
- Other: Refer to the Newport Brass catalog for additional color/finish options.



Specified Model

Model	Description	Colors Finishes				
35-27	Open Toilet Tissue Holder	<input type="checkbox"/> 15	<input type="checkbox"/> 15S	<input type="checkbox"/> 26	<input type="checkbox"/> 10B	<input type="checkbox"/> Other

Product Specification: Add "Color / Finish" Suffix to Model Number Below.

The Toilet Tissue Holder shall be made of solid brass construction and incorporate a single-post, open roller design. Toilet Tissue Holder shall complement Newport Brass Sutton product series. Toilet Tissue Holder shall be Newport Brass Model 35-27/_____.

35-27

Product Dimensions *(units are in inches)*

