

Features

- Solid brass construction
- Face plate with ADA compliant lever handle
- ADA compliant lever handle assembly for control valve
- Intended for use with Newport Brass rough valve(s) as specified (Required Accessory)

Codes / Standards Compliance

Meets or exceeds the following at date of manufacture:

- ASME A112.18.1/CSA B125.1
- IAPMO/cUPC
- IPC
- ADA
- ICC/ANSI A117.1
- ASSE 1016
- All applicable US Federal and State material regulations

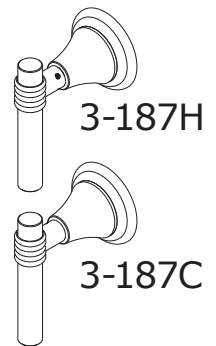
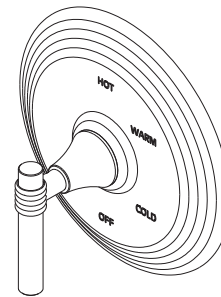
Colors / Finishes

- 10B: Oil Rubbed Bronze
- 15: Polished Nickel
- 15A: Antique Nickel
- 26: Polished Chrome
- Other: Refer to the Newport Brass catalog for additional color/finish options.

Tub or Shower Trim
(less tub spout or showerhead, arm & flange)

4-904BP

Also 3-187C, 3-187H



4-904BP

Specified Model

| Model | Description | Colors / Finishes | | | | |
|---------|---|------------------------------|-----------------------------|------------------------------|-----------------------------|--------------------------------|
| 4-904BP | Tub or Shower Trim (less tub spout or showerhead, arm & flange) | <input type="checkbox"/> 10B | <input type="checkbox"/> 15 | <input type="checkbox"/> 15A | <input type="checkbox"/> 26 | <input type="checkbox"/> Other |
| 3-187C | Shower System Control Valve Trim (Escutcheon/Handle, Cold) | <input type="checkbox"/> 10B | <input type="checkbox"/> 15 | <input type="checkbox"/> 15A | <input type="checkbox"/> 26 | <input type="checkbox"/> Other |
| 3-187H | Shower System Control Valve Trim (Escutcheon/Handle, Hot) | <input type="checkbox"/> 10B | <input type="checkbox"/> 15 | <input type="checkbox"/> 15A | <input type="checkbox"/> 26 | <input type="checkbox"/> Other |

Required Accessory: Trim(s), above, and Rough Valve(s), below, must be specified.

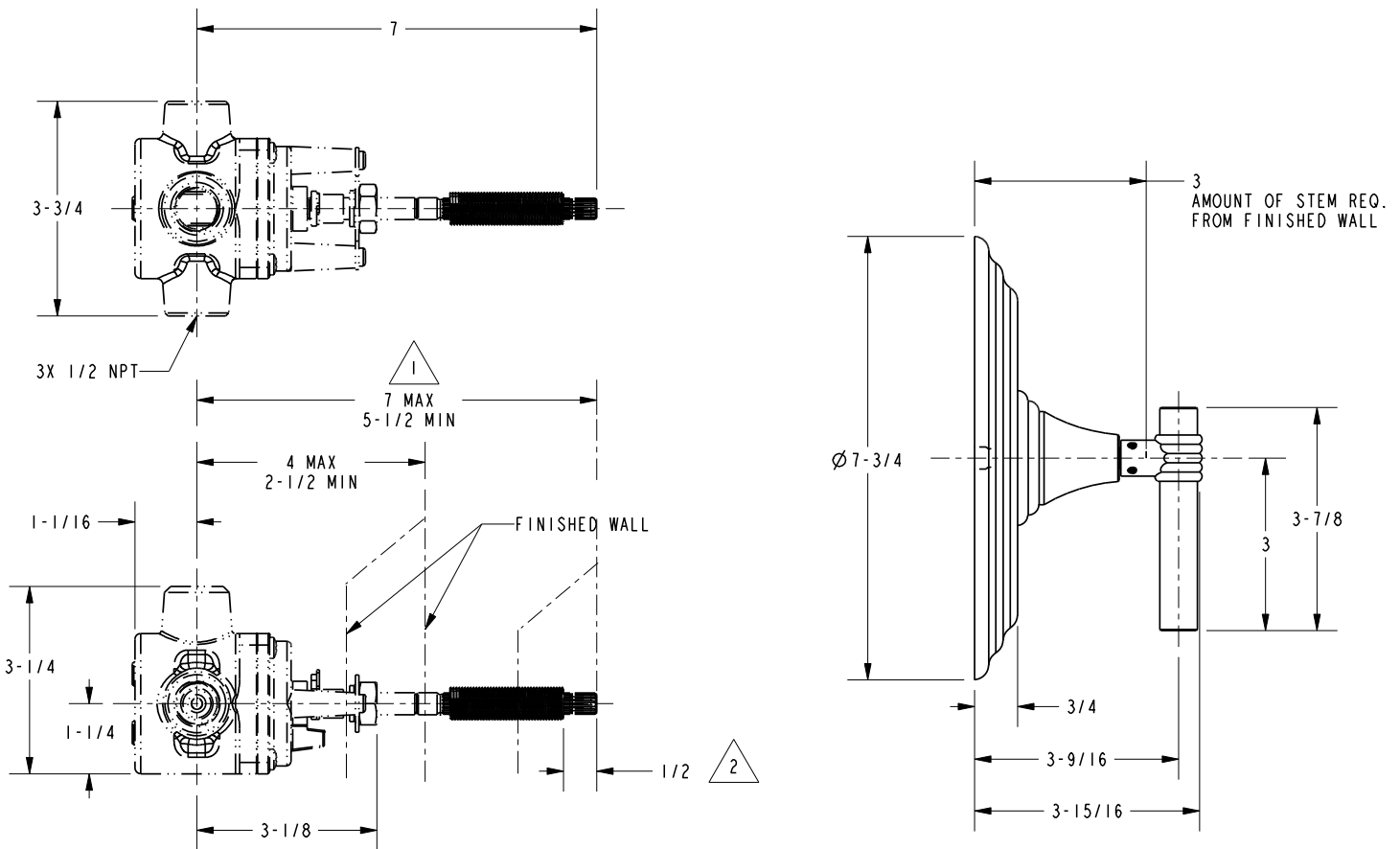
| Application | Tub Only Valve* | Shower (or Tub) Valve | Tub & Shower Valve | Shower System Valve | Control Valve |
|-------------------|-----------------------------|--------------------------------|-----------------------------|-----------------------------|--------------------------------|
| Description | 2-Cartridge Assembly | Balance Pressure (BP) | BP w/ Diverter | Thermostatic | Diverter (3/4 port) |
| Inlet/Outlet Size | 1/2" | 1/2" | 1/2" | 3/4" | 1/2" |
| Part Number | <input type="checkbox"/> NA | <input type="checkbox"/> 1-594 | <input type="checkbox"/> NA | <input type="checkbox"/> NA | <input type="checkbox"/> 1-617 |
| Image | | | | | |

Product Specification: Add "Color / Finish" suffix to Model number, below.

The single-control Tub or Shower Trim (less tub spout or showerhead, arm & flange) shall be made of solid brass construction. Tub or Shower Trim shall include faceplate with ADA compliant handle. Shower System Control Valve Trim(s) (Escutcheon/Handle) shall be ADA compliant when used with specified Shower System Control Valve. Tub or Shower Trim (less tub spout or showerhead, arm & flange) shall be Newport Brass Model 4-904BP/_____ and single-control Tub or Shower rough valve shall be Newport Brass Model 1-594. Shower System Control Valve Trim(s) (Handle/Escutcheon) shall be 3-187_____/_____ (and 3-187_____/_____) and Shower System Control Valve shall be 1-617.

4-904BP

Product Dimensions *(units are in inches)*



NOTES:

1. CUT STEM TO DIMENSION SHOWN.
2. CUT ALL-THREAD 1/2" SHORTER THAN STEM.
3. VALVE, PN: 1-504, SOLD SEPARATELY.