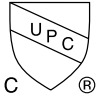


NEWPORT BATH

Handshower with Slidebar Set **281D**



Features

- Solid brass construction
- Traditional styling
- Single function spray
- Finished spray surface
- Handshower incorporates twin back-check valves
- 1/2" NPT inlet elbow fitting
- 2" (5.1 cm) showerhead diameter

Codes / Standards Compliance

Meets or exceeds the following at date of manufacture:

- ASME A112.18.1/CSA B125.1
- IAPMO/cUPC
- IPC
- Energy Policy Act of 1992
- All applicable US Federal and State material regulations

Colors / Finishes

- 15: Polished Nickel
- 15A: Antique Nickel
- 26: Polished Chrome
- 10B: Oil Rubbed Bronze
- Other: Refer to the Newport Brass catalog for additional color/finish options.



Specified Model

Model	Description	Colors / Finishes
281D	Handshower with Slidebar Set	<input type="checkbox"/> 15 <input type="checkbox"/> 15A <input type="checkbox"/> 26 <input type="checkbox"/> 10B <input type="checkbox"/> Other

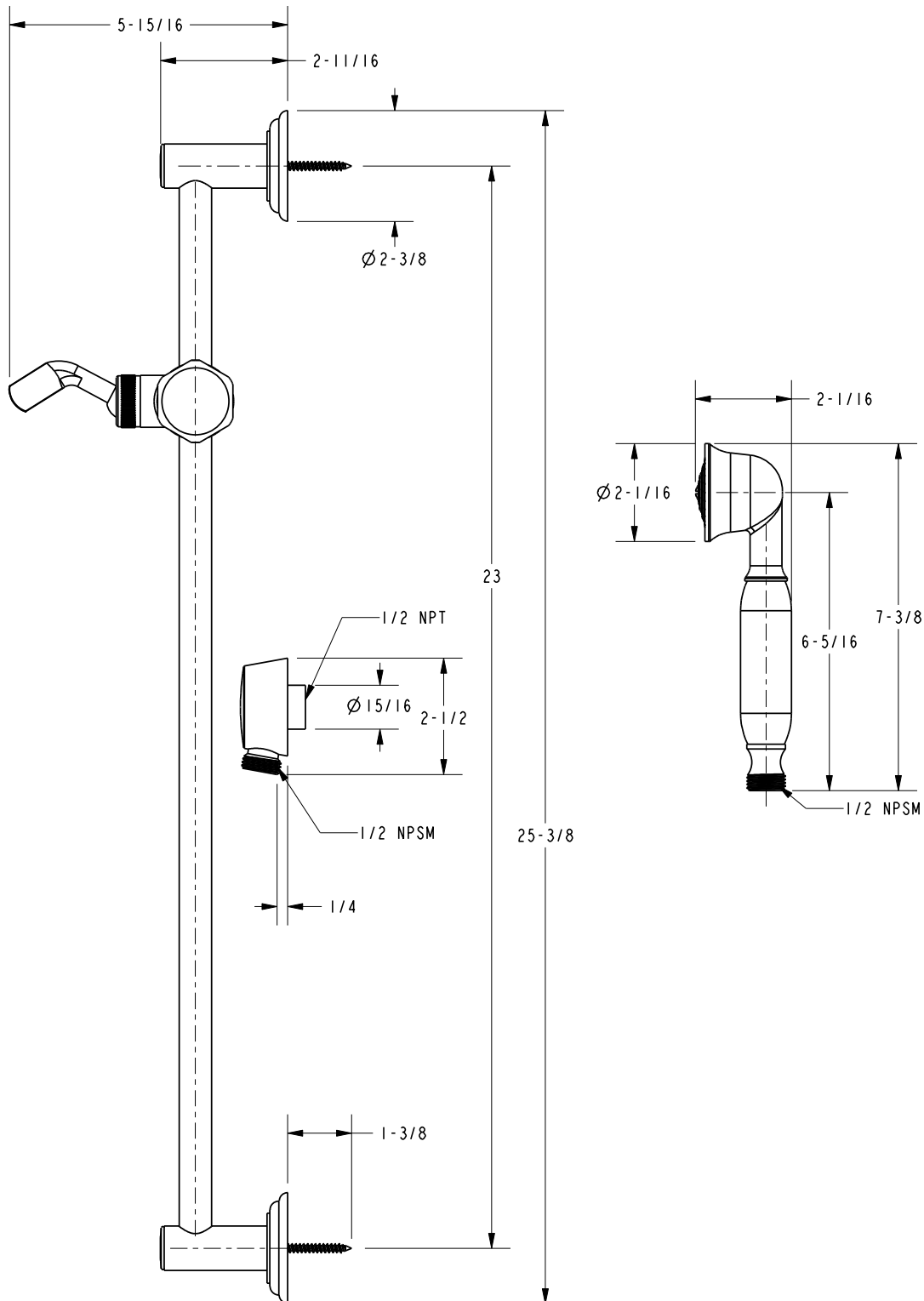
Product Specification:

Add "Color / Finish" suffix to Model number, below.

The Handshower with Slidebar Set shall be of solid brass construction. Handshower with Slidebar Set shall have a single function spray pattern incorporating a finished spray surface. Handshower with Slidebar Set shall incorporate twin back-check valves within the handshower handle. Handshower with Slidebar Set shall have a 1/2" NPT inlet fitting and 2" (5.1 cm) showerhead diameter while operating at 2.0 gallons (7.6 liters) per minute maximum flow rate. Handshower with Slidebar Set shall be Newport Brass Model 281D/_____.

281D

Product Dimensions (units are in inches)



Newport Bath Handshower with Slidebar Set 281D