

### Bidet Faucet G28-108

#### Features

- Solid brass construction
- Brass valve bodies
- Quarter-turn washerless ceramic disc valve cartridges
- ADA compliant contemporary lever handles
- Basin-mounted aerated spray nozzle and pop-up drain with tailpiece
- Code compliant vacuum breaker
- 2.4 gallons (9.1 liters) per minute minimum flow rate



#### Codes / Standards Compliance

Meets or exceeds the following at date of manufacture:

- ASME A112.18.1/CSA B125.1
- IAPMO/cUPC
- IPC
- ADA
- ICC/ANSI A117.1
- CSA B64
- All applicable US Federal and State material regulations

#### Colors / Finishes

- PC: Polished Chrome
- SN: Satin Nickel

- Other: None

#### Specified Model

Model	Description	Colors / Finishes
G28-108	Bidet Faucet	<input type="checkbox"/> PC <input type="checkbox"/> SN <input type="checkbox"/> None

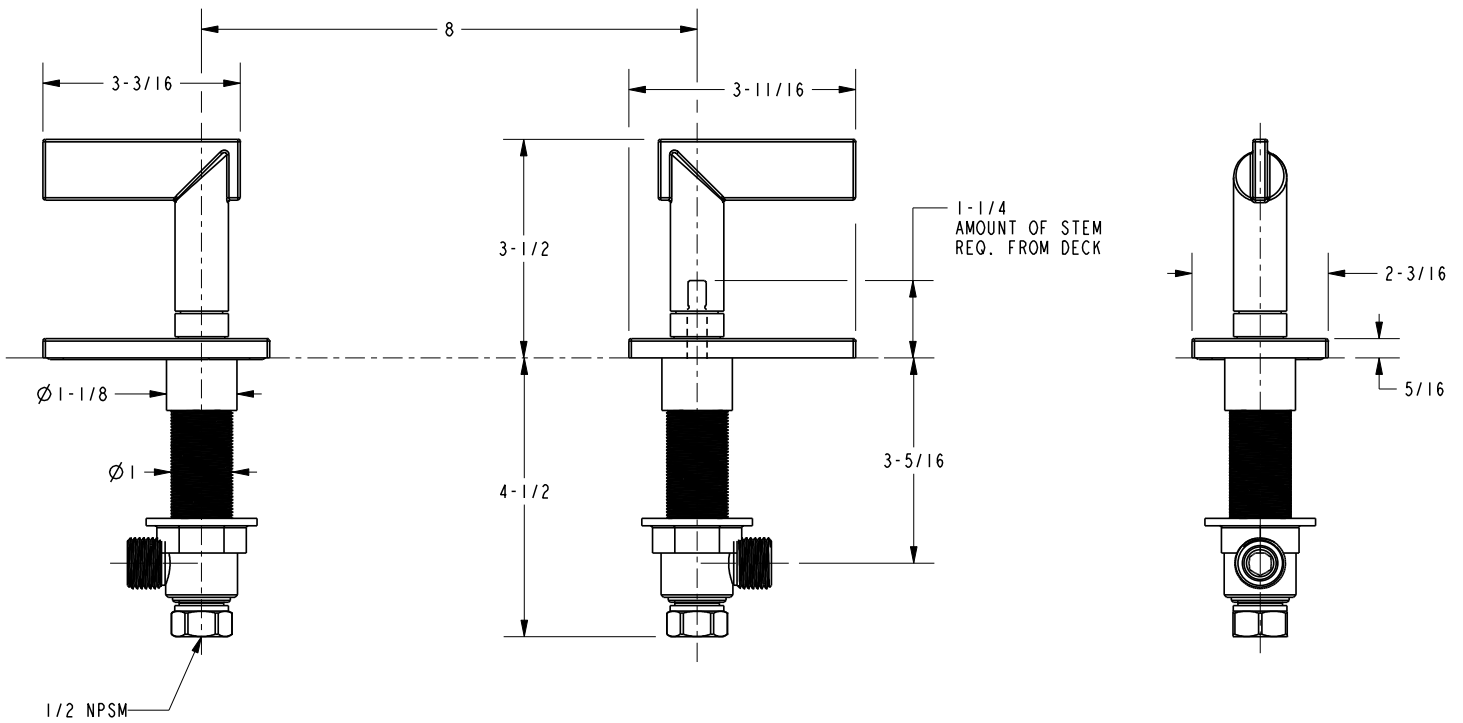
#### Product Specification:

Add "Color / Finish" suffix to Model number, below.

The Bidet Faucet shall be made of solid brass construction. Bidet Faucet shall feature brass valve bodies with quarter-turn, washerless ceramic disc valve cartridges. Bidet Faucet shall have a 2.4 gallons (9.1 liters) per minute minimum flow rate from a basin-mounted aerated spray nozzle. Bidet Faucet shall incorporate a code compliant vacuum breaker and a pop-up drain and tailpiece. Bidet Faucet shall incorporate ADA compliant lever handles and shall be Ginger Model G28-108/\_\_\_\_\_.

# G28-108

Product Dimensions (units are in inches)



Surface Bidet Faucet  
**G28-108**

page 2 of 2 spec\_G28-108

GINGER®

t: 949.417.5207 | www.gingerco.com

©2011 Brasstech, Inc.