

NEWPORT BATH

Showerhead

2091



Features

- Solid brass construction
- Traditional styling
- Simulated rainfall shower pattern
- Classic rain-can functionality
- 1/2" NPSM inlet fitting
- 8-1/16" (20.5 cm) showerhead diameter
- 2.0 gallons (7.6 liters) per minute maximum flow rate

Codes / Standards Compliance

Meets or exceeds the following at date of manufacture:

- ASME A112.18.1/CSA B125.1
- IAPMO/cUPC
- IPC
- Energy Policy Act of 1992
- All applicable US Federal and State material regulations



Colors / Finishes

- 10B: Oil Rubbed Bronze
- 15: Polished Nickel
- 15A: Antique Nickel
- 26: Polished Chrome
- Other: Refer to the Newport Brass catalog for additional color/finish options.

Specified Model

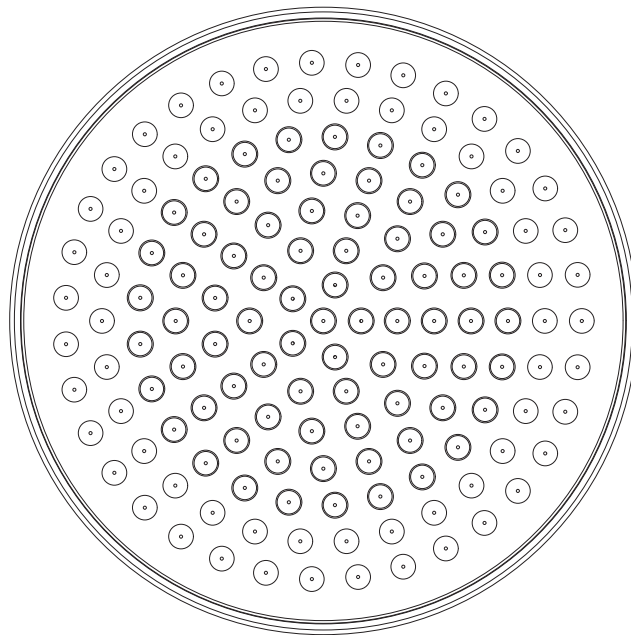
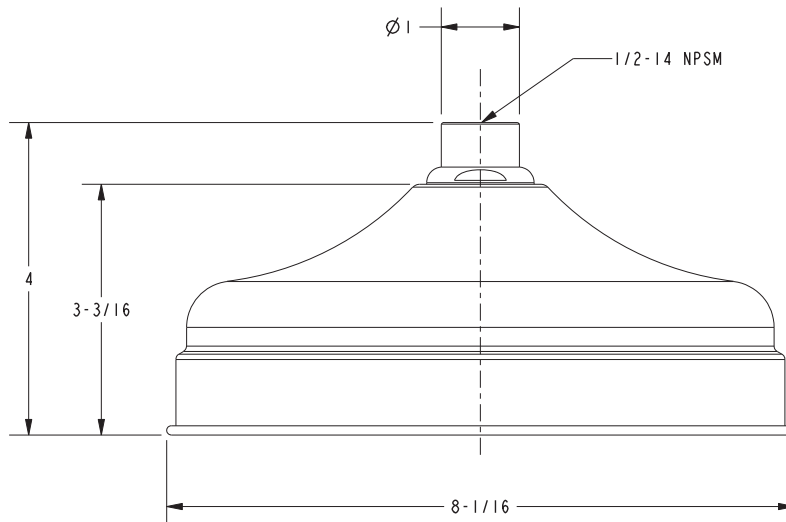
Model	Description	Colors Finishes
2091	Showerhead	<input type="checkbox"/> 10B <input type="checkbox"/> 15 <input type="checkbox"/> 15A <input type="checkbox"/> 26 <input type="checkbox"/> Other

Product Specification: Add "Color / Finish" suffix to Model number, below.

The Showerhead shall be of solid brass construction. Showerhead shall have a simulated rainfall shower pattern and classic rain-can functionality. Showerhead shall have a 1/2" NPSM inlet fitting and 8-1/16" (20.5 cm) showerhead diameter while operating at 2.0 gallons (7.6 liters) per minute maximum flow rate. Showerhead shall be Newport Brass Model 2091/____.

NEWPORT BATH

PRODUCT DIMENSIONS *(Units are in inches)*



**Newport Bath Showerhead
2091**

NEWPORT BRASS
Flawless Beauty. From Faucet to Finish.™