

CUBE 2

Towel Bar

19-01

Also 19-02

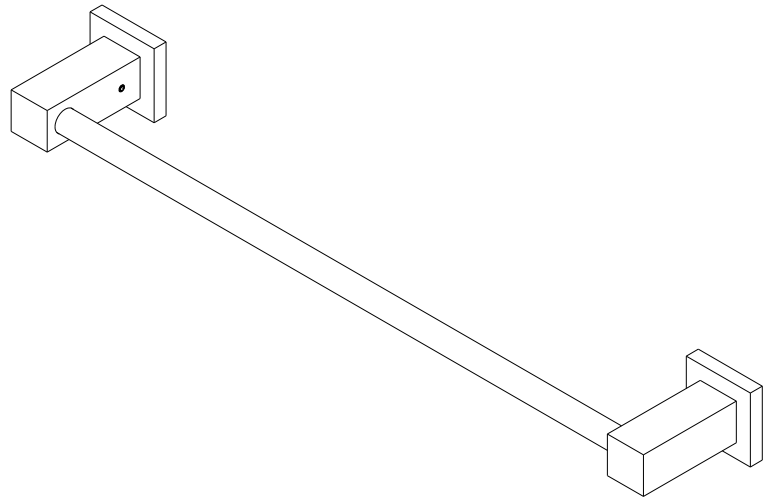
Features

- Solid brass construction
- Complements Cube 2 product series

Codes / Standards Compliance

Meets or exceeds the following at date of manufacture:

- All applicable US Federal and State material regulations



Colors / Finishes

- 15: Polished Nickel
 - 15S: Satin Nickel
 - 26: Polished Chrome
 - ORB: Oil Rubbed Bronze
- Other: Refer to the Newport Brass catalog for additional color/finish options.

Specified Model

Model	Description	Colors Finishes				
19-01	18" Towel Bar	<input type="checkbox"/> 15	<input type="checkbox"/> 15S	<input type="checkbox"/> 26	<input type="checkbox"/> 10B	<input type="checkbox"/> Other
19-02	24" Towel Bar	<input type="checkbox"/> 15	<input type="checkbox"/> 15S	<input type="checkbox"/> 26	<input type="checkbox"/> 10B	<input type="checkbox"/> Other

Product Specification: Add "Length Indicator and Color / Finish" suffix to Model number, below.

The Towel Bar shall be made of solid brass construction. Towel Bar shall complement Newport Brass Cube 2 product series. Towel Bar shall be Newport Brass Model 19-0__/____ .

19-01

Product Dimensions *(units are in inches)*

