



Installation, Operation & Maintenance Manual

Club Therapy Steambath Generator Systems

Installation, Operation & Maintenance Manual Models: CT6E, CT9E, CT12E, CT15E

mr.steam[®] | Feel Good Inc.

Club Therapy® Steambath Generator Systems

INSTALLATION, OPERATION & MAINTENANCE MANUAL

Table of Contents

Read Me First! & Warning Placard	1
Select Your Club Therapy Model	2
Specification Chart	2
Before Installing	3
Steam Room Guidelines.....	3
Locating the Steam Generator Unit	4
Typical Installation	4
Installation: Plumbing, Water Supply, Drain, Steam Outlet Safety Valve, Drip Pan, AromaSteam	5
Water Quality Information.....	5
Steam Head Installation	6
Generator Dimensions	7
Electrical Specifications & Field Power Wiring	8
Wiring Diagrams.....	9
Initial Start-Up & Checkout, Maintenance, Troubleshooting and Operation	10
System Status Codes, Liquid Level Control Board	11
AutoFlush® System	12
Drip Pan, Express Steam®	13
Replacement Parts List.....	13
Replacement Parts Diagram.....	14

Controls

Before Installing, Control Rough-In.....	15
CT SteamStop	16
Care Tips for Controls and Steamhead.....	17

General

Warranty	17
----------------	----



READ ME FIRST!

IMPORTANT NOTE:

As you follow these instructions, you will notice warning and caution symbols. This blocked information is important for the safe and efficient installation and operation of this generator. These are types of potential hazards that may occur during this installation and operation:

! WARNING

states a hazard may cause serious injury or death if precautions are not followed.

! CAUTION

signals a situation where minor injury or product damage may occur if you do not follow instructions.

IMPORTANT NOTE: This highlights information that is especially relevant to a problem-free installation.

All information in these instructions is based on the latest product information available at the time of publication. Sussman-Automatic Corporation reserves the right to make changes at any time without notice.

When installing and using this electrical equipment, basic safety precautions should always be followed, including the following:

IMPORTANT SAFETY INSTRUCTIONS

1. READ AND FOLLOW ALL INSTRUCTIONS

2. **! WARNING** Do not permit children under the age of 16 to use this steambath.
3. **! WARNING** To reduce the risk of injury:
 - A. The wet surfaces of steam enclosures may be slippery. Use care when entering or leaving.
 - B. The steam head is hot. Do not touch the steam head and avoid the steam near the steam head.
 - C. Prolonged use of the steam system can raise excessively the internal human body temperature and impair the body's ability to regulate its internal temperature (hyperthermia). Limit your use of steam to 10-15 minutes until you are certain of your body's reaction.
 - D. Excessive temperatures have a high potential for causing fetal damage during the early months of pregnancy. Pregnancy or possibly pregnant women should consult a physician regarding correct exposure.
 - E. Obese persons and persons with a history of heart disease, low or high blood pressure, circulatory system problems, or diabetes should consult a physician before using a steambath.
 - F. Persons using medication should consult a physician before using a steambath since some medication may induce drowsiness while other medications may affect heart rate, blood pressure and circulation.

SAVE THESE INSTRUCTIONS

! WARNING

REDUCE THE RISK OF OVERHEATING AND SCALDING

1. Exit immediately if uncomfortable, dizzy or sleepy. Staying too long in a heated area is capable of causing overheating.
2. Children under the age of 16 should not use the steam bath.
3. Check with a doctor before use if pregnant, diabetic, in poor health or under medical care.
4. Breathing heated air in conjunction with consumption of alcohol, drugs or medication is capable of causing unconsciousness.
5. Do not contact steam head or steam at the steam head.

REDUCE THE RISK OF SLIPPING AND FALL INJURY

Use care when entering or exiting the steam room. Floor may be slippery.
Note: For additional safety considerations see owner's manual.

mr.steam®
43-20 34th Street, Long Island City, NY 11101 1-800-76-STEAM www.mrsteam.com

L2065 Rev 7/2008

←
A warning placard has been provided in the Information envelope. This placard is to be mounted to the wall of the installed shower or steam enclosure.
(not actual size)

Select Your Club Therapy Model

Materials of construction, room size and special design features such as large glass areas, all affect the steam generator model selection.

1. Measure length, width & height in feet of the steam/shower or tub/shower

Multiply the Length ____ x Width ____ x Height ____ = ROOM VOLUME

2. Construction Materials:

For natural stones: natural marble, stone, shale, glass block or concrete	Add 110%
For ceramic or porcelain tile on cement board or mortar bed	Add 40%

3. Ceiling Height: For each foot above 8 feet Add 15%

4. Add all figures above to obtain the Total Room Volume required TOTAL ADJUSTED ROOM VOLUME


Compare your TOTAL ADJUSTED ROOM VOLUME to the Specification Chart below and select the appropriate model.

Visit www.mrsteam.com to size your generator automatically.

! WARNING In considering a purchase of this steam-bath system, please note that if users are pregnant, have a coronary condition, are in poor health, are being treated for any other medical condition, or are using medication or drugs, Mr.Steam recommends that you obtain the approval of their physician before use. For information about this product and safety issues, please call us at 1-800-76-STEAM or log onto www.mrsteam.com

IMPORTANT NOTES:

- The guidelines for selecting the steambath generator is a recommendation only. Because of variables in construction, these sizing instructions and specifications should be considered as guidelines only. Mr.Steam® will review the model selected provided we receive complete information, including working drawings, specifications, and pertinent electrical and construction details. Otherwise, the manufacturer disclaims responsibility for the sizing of a model selected.
- For steam rooms constructed of acrylic or synthetic materials, select next lower-rated CT model.
- The total adjusted room volume allows for up to 60 feet of insulated steam line from the CT generator to the steam room. If the 60 feet line is exceeded consult with factory. When locating the steam generator consideration of the control and external temperature probe must be taken into account. The maximum length for a control cable is 60 feet. The maximum length of the MSTs (used with iTempo) is 60 feet. MSTs connects to the steam generator. The maximum length of the iMSTs (used with iSteam) is 25 feet. iMSTs connects to the iSteam control.

Steam Generators Specification Chart								
	Model No.	KW	Amps (for 240v/1PH)†	Total Adj Room Vol.	Wire Size‡	Water Usage gallons††	Dimensions*	Shipping Wt. (lbs)**
	CT6E	6	25	150	8	0.80	17" L x 18½" H x 7⅞" D	40
	CT9E	9	38	360	8	1.2	17" L x 18½" H x 7⅞" D	40
	CT12E	12	50	575	6	1.6	17" L x 18½" H x 7⅞" D	40
	CT15E	15	63	675	4	2.0	17" L x 18½" H x 7⅞" D	40

IMPORTANT: Add C1 suffix to Model No. for 240V/1Ph; Add B1 suffix to Model No. for 208V/1Ph.

IMPORTANT: All CT MS Models are cUL us Listed and CE; approved.

NOTES: All CT Generators available in 240v/1PH, 208v/1PH and other voltages/phases.

† Amps are for 240/1PH rated units.

‡ Wire size (AWG) based on minimum 90°C rated THHN copper conductors.

Refer to the National Electrical Code for other types of conductors.

*Dimensions are for generator only, without AutoFlush® or plumbing features.

**Shipping weight and pricing are for generator only, without control or steamhead.

†† Water usage based on 20 minutes of operation.

Before Installing

Carefully inspect the CT steam generator and packaging for shipping damage. In the event of shipping damage, please contact the carrier for claim information. Our customer service department can assist you with any missing or damaged parts.

Read these instructions before installation or service. Although this CT steam generator has been fully qualified for shipment by Mr.Steam, the following must be reviewed for proper, safe and enjoyable steam bathing:

1. Verify that the model and accessories specifications are correct for the incoming line voltage.
2. Insure steambath generator has been correctly sized for

the steambath room. Pay particular attention to room volume and construction. If any questions, please refer to Mr.Steam sizing and selection guide on page 2.

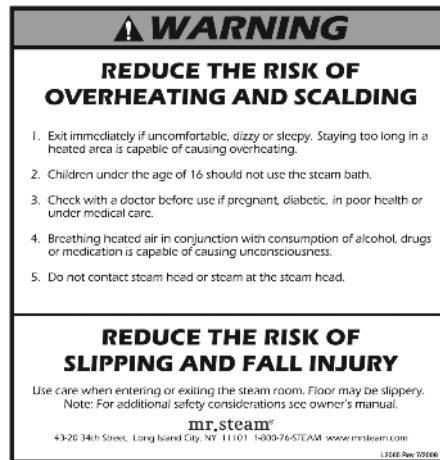
3. Marble or glass walls or ceilings “enlarge” the room’s size requiring a generator larger than one based only on the room’s cubic foot (L x H x W) volume.
4. The physical size of the unit, clearance for plumbing servicing, and its distance from the steam room must all be considered before final installation.
5. Consider any controls and accessories before initiating installation. Read the Installation and Operation Manual of all controls and accessories available at www.mrsteam.com/products/technical-downloads.html

Steam Room Guidelines

1. Steam room must be completely enclosed, with full walls, door, floor and ceiling.
2. It is recommended that a gasketed door is used for steam containment.
3. If tile-type or other smooth surfaced flooring is used provide suitable anti-skid strips or equivalent, to prevent a slipping hazard.
4. Check the suitability of any materials with the manufacturer. Walls and ceilings must be constructed of water-resistant, non-corrosive surface, such as tile, marble, molded acrylic, or other non-porous material.
5. The ceiling should be sloped to prevent dripping of condensate.
6. Provide a floor drain.
7. No heating, venting or air conditioning devices should be installed inside the steam room.
8. Steam room tile construction information is available from the Tile Council of America, Inc. by purchasing the TCA Handbook for Ceramic Tile Installation. Tel. (864) 646-8453 or www.tileusa.com.
9. Windows that are part of the steam room should be double paned and tempered safety glass.

10. Limit steam room ceiling height to 8 feet. Exceeding 8 feet may require a higher-rated steam generator.

WARNING The warning placard located in the documentation envelope must be read and permanently affixed in a conspicuous location near the steam room. Failure to read and affix this warning placard in a conspicuous location may result in serious injury or death.



Not Actual Size

WARNING

Never use damaged equipment, doing so may result in an inoperative or hazardous installation.

Discontinue use of the steam generator and control if the steam generator or control are damaged or otherwise not functioning properly. Doing so may result in an inoperative or hazardous installation

ELECTRICAL SHOCK HAZARD. Mr.Steam steam generators are connected to 240V line voltage and contain live electrical components. All installation and service to be performed by qualified and licensed electricians and plumbers only. Installation or service by unqualified persons or failure to use Mr. Steam parts may result in property damage or in a hazardous condition.

CAUTION

If acrylic, fiberglass or other non-heat resistant materials are used as part of the steam room enclosure. Consult with the material manufacture and see pg. 6, "Installing the Steamhead" for additional details.

IMPORTANT NOTES:

This document contains important safety, operation and maintenance information. Leave this document with the club/spa management. Do not discard this document.

The following general information should be used in conjunction with consultations with an architect, designer and contractor in determining factors necessary in providing a suitable and safe steam room.

Mr.Steam CT steam generators are intended to be operated with Mr.Steam’s iTempo/Plus™, iSteam® and CT SteamStop® only, and are to be installed strictly in accordance with the specific instructions contained in this manual and as supplied in the manuals provided with the controls or accessories.

Locating the Steam Generator Unit

Select a location as near as practical to the steam room. Typical locations include: closet, vanity cabinet, heated attic or basement.

NOTE: The maximum length of the MSTS (used with iTempo) is 60 feet. MSTS connects to the steam generator. The maximum length of the iMSTS (used with iSteam) is 25 feet. iMSTS connects to the iSteam control.

! WARNING (Items 1-7)

1. **DO NOT** install steambath generator or plumbing lines in unheated attic or any locations where water could freeze.
2. **DO NOT** install steambath generator inside steam room.
3. **DO NOT** install steambath generator outdoors or wherever environmental conditions may affect the safety and/or performance of the generator.
4. **DO NOT** install steambath generator near flammable or corrosive materials or chemicals such as gasoline, paint thinners, or the like. Installation in areas having high concentrations of chlorine (such as pool equipment room) must be avoided.
5. Install steambath generator on a solid and level surface. Keyhole slots are provided for wall mounting. Insure the steam generator is properly secured and level when mounting with keyhole slots.
6. Install steambath generator in an upright position only.
7. Steam line, safety valve, drain valve, plumbing and steamheads become hot during operation and remain hot after shutdown for a period of time. Provide appropriate protection, including insulating plumbing lines. Avoid plumbing runs and steamhead locations that can come in contact with bathers.

IMPORTANT: (Items 8-11)

8. Install anti-water hammer device as necessary.
9. Provide a minimum of 12 inches at both ends and top of the steam generator or as required for servicing. See page 7.
10. Provide unions as required to facilitate installation and disconnection of piping.
11. The controls should be placed in a location only accessible by the facility's staff. The CT SteamStop® and remote sensor are required to be installed inside the steamroom.

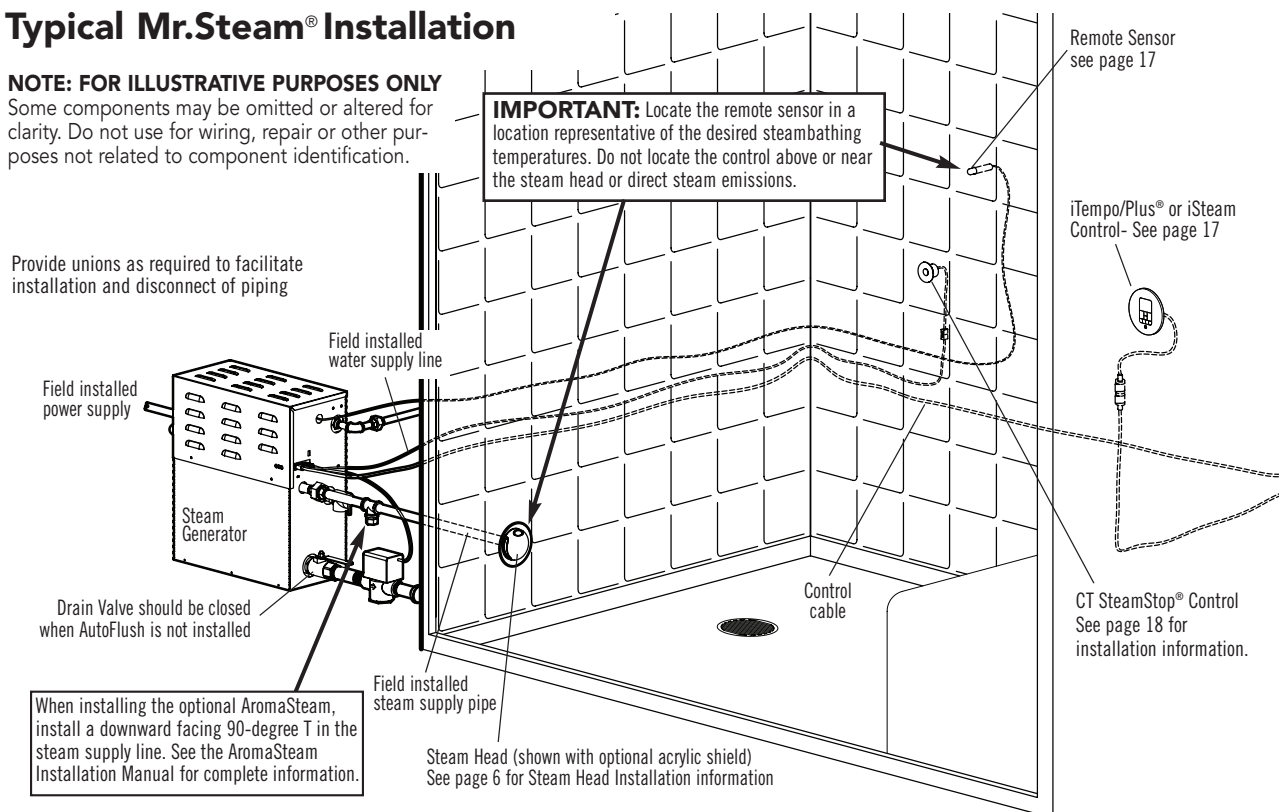
NOTE: Mr.Steam Generators and controls are CE and UL listed.

! WARNING The CT series of steam generators are for commercial use only.

Typical Mr.Steam® Installation

NOTE: FOR ILLUSTRATIVE PURPOSES ONLY

Some components may be omitted or altered for clarity. Do not use for wiring, repair or other purposes not related to component identification.



Installation

Plumbing

All plumbing shall be performed by a qualified licensed plumber and in accordance with applicable National and local codes.

- Use unions on all pipe connections.
- Use only brass piping or copper tubing as permitted by codes.
- Do not use black, galvanized, PVC, or PEX pipe.

Water Supply ($\frac{3}{8}$ " NPT)

1. Connect to cold water line.
2. Provide a shut off valve in the water supply line upstream of the steambath generator.
3. Do not overheat inlet solenoid valve with solder connections. Overheating will damage parts.
4. Flush inlet water line thoroughly before making connection to unit.
5. Strainer recommended upstream of feed water connection.
6. For best performance water pressure should be 15 to 20 psig. Reduce pressure as required.
7. Provide anti-water hammer device as required.
8. Install an approved backflow preventer as required by local codes.

Drain (1" NPT)

The drain from the generator should not share an undersink trap, unless the generator is mounted higher than the sink.

NOTE: A drain valve is provided to facilitate servicing. Provide a drain line connection from steambath generator drain valve according to National and local Codes. Check local plumbing code for receptor, trap and vent requirements. Do not connect Drain line and Safety Valve line together. **Unit drains by gravity.** Do NOT connect the drain valve to the steam line.

Safety Valve ($\frac{3}{4}$ " NPT)

Where permitted by local codes, provide an outlet plumbing connection for safety valve.

! WARNING To insure proper and automatic safety valve operation: DO NOT connect a shut off valve or a plug at safety valve outlet. DO NOT connect a shut off valve or any construction in steam supply pipe.

Steam Outlet ($\frac{1}{2}$ " NPT)

1. Do not install any valve in steam line. Flow of steam must be unobstructed.
2. Use $\frac{1}{2}$ inch brass pipe or copper tubing from unit to steam head as permitted by codes.
3. Insulate steam line using pipe insulation rated 212° F or higher.
4. Pitch steam line $\frac{1}{4}$ " per foot towards steam head or steam generator to avoid valleys and trapping of condensate.

IMPORTANT NOTES:

- Running the steam line down and then up will create a steam trap blocking the flow of steam.
- A 1.5" hole in the steam room is required to mount the steamhead.

Drip Pan

Mr. Steam strongly recommends the use of a drip pan in the unlikely event of a plumbing leak. Check local plumbing codes for receptor, trap and vent requirements. Drip pans drain by gravity. The drip pan is equipped with an integral $\frac{3}{4}$ " fitting. See page 14 for additional drip pan installation information.

AromaSteam

If the optional AromaSteam Electronic Oil Delivery System (PN: MS AROMA) is to be installed, a 90 degree **T** plumbing fitting must be installed at a designated location on the steam outlet line. See the Mr.Steam AromaSteam Operation and Instruction Manual for installation information before the steam line is installed at www.mrsteam.com technical downloads.

Water Quality Information

For optimum results, the water supply should be tested prior to installation. If the mineral content exceeds the following recommended limits, various external treatment processes are recommended to correct the problem.

NOTE: An analysis of the on-site water must be made by a recognized and reliable water treatment company to ascertain the existing condition and treatment required.

Poor water quality can affect efficiency or result in steam generator damage. Water contains impurities in solution and suspension. These impurities concentrate in the generator. The concentration of these impurities increases as more feedwater is introduced into the generator and steam is produced. If the suspended solids are allowed to concentrate beyond certain limits, a deposit or "scale" will form on the generator internal

surfaces. This deposit can interfere with the proper generator operation and cause generator failure. The concentration of these impurities is generally controlled by the water quality and by periodic draining of the generator.

RECOMMENDED FEEDWATER QUALITY

Hardness, ppm	8 – 85 (~0.5 – 5 gpg)
P-Alkalinity, ppm	85 – 410 (~5 – 24 gpg)
T. Alkalinity, ppm	200 – 500 (~7 – 0 gpg)
pH (strength of alkalinity)	8.0 – 11.4

The CT AutoFlush® System feature automatically drains the Mr.Steam® CT generator following each use. A time delay allows the water to cool down (about two hours) before it drains by gravity for a safe and gentle operation.

Installing the AromaSteam Steamhead (1/2" NPT)

NOTE: A 1 1/2" clearance hole around the steam pipe is needed to mount the steamhead.

STEP 1

Locate steam head 6-12 inches above floor, except for:

1. Tub/shower enclosures, install 6 inches above tub top edge.
2. Consult with supplier of acrylic, fiberglass and other non-heat resistant enclosures for recommended steamhead location.
3. Use Acrylic Shield MS 103412. See instructions provided with steam shield.

STEP 2

Install steamhead with the oil well facing up as shown. Hand tightening is sufficient when teflon or equal pipe thread sealing compound is used.

STEP 3

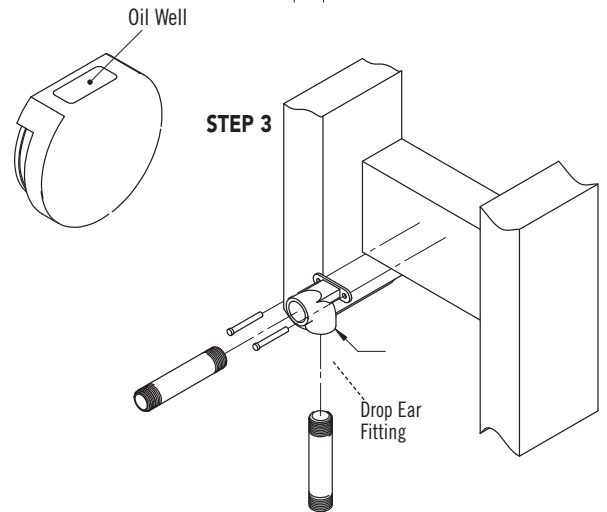
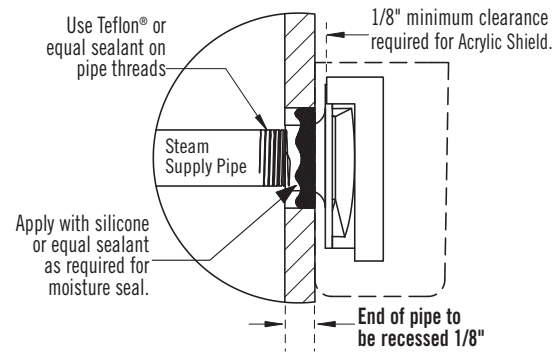
Secure a bronze drop ear fitting to a header and run a 1/2" copper steam line from the steam generator to the drop ear fitting. Install a temporary nipple (6" or longer) in the drop ear fitting to locate the steamhead after the wall is finished.

STEP 4

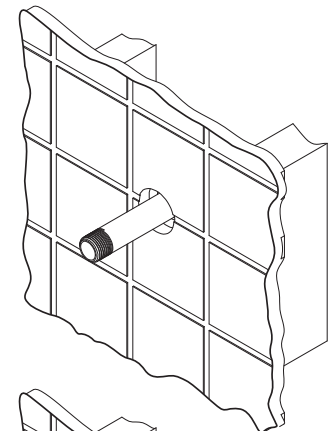
After the wall has been finished, mark on the nipple where the surface of the wall is. Remove the nipple and measure the portion that was in the wall (the end to your mark). Subtract 1/8" from that dimension and select a brass nipple of that length to finish the installation.

STEP 5

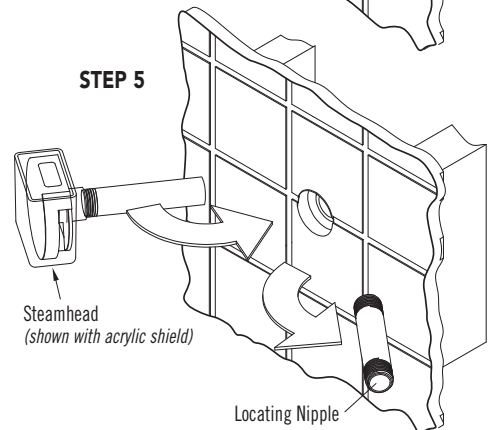
Wrap teflon tape around the threads of the new nipple and screw the nipple into the steamhead. Do not use wrenches or tools which would damage the steamhead's finish. Wrap teflon tape around the threads of the nipple and screw the nipple and steamhead assembly you just made into the drop ear fitting in the wall. The steamhead should be flush with the wall and the well must be facing up.



STEP 4



STEP 5



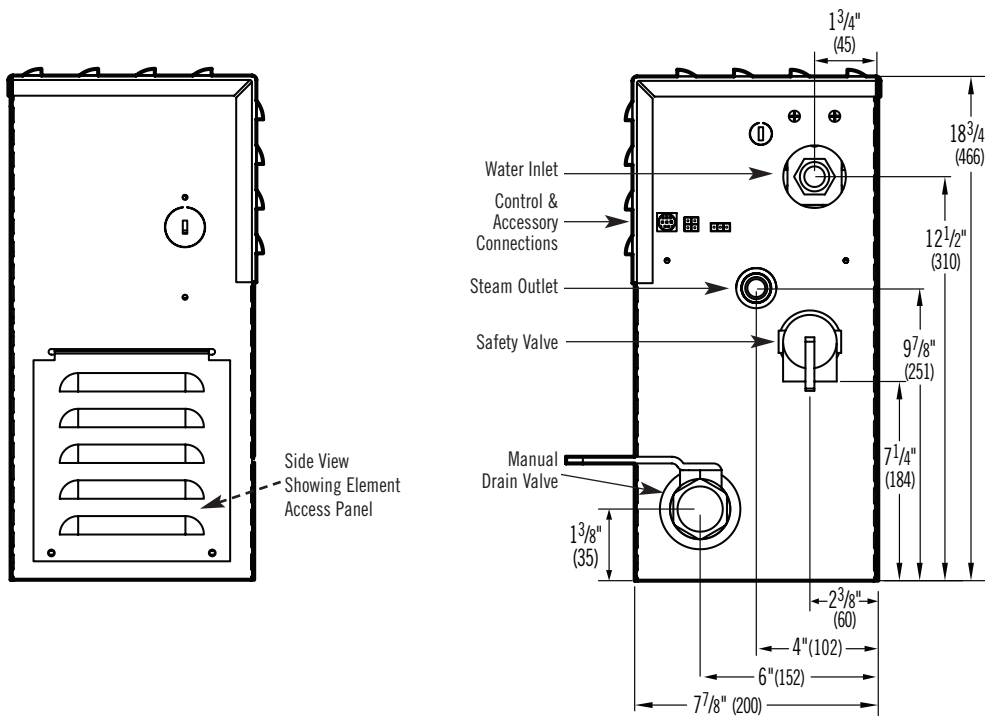
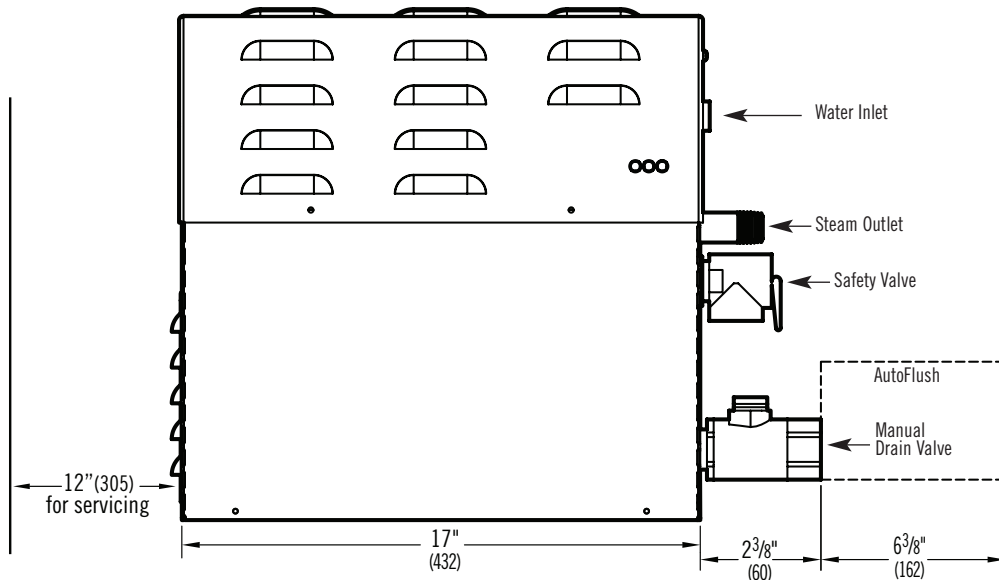
IMPORTANT NOTE:

- Do not disassemble steamhead. Mr.Steam's steamhead is shipped fully assembled and requires no additional assembly.
- To preserve steam head finish, do not use wrenches or other tools to tighten. DO NOT use abrasive cleansers or chemicals. Use only water with mild soap and a non-abrasive sponge.

CAUTION

Because the steam head and direct steam emissions are very hot, locate the steam head where incidental contact by bather with the steam head or direct steam emission cannot occur.

Generator Dimensions



IMPORTANT NOTES:

- Provide a minimum of 12 inches at both ends and top of the steam generator or as required for servicing. Alternately, provide unions as required to facilitate installation and disconnection of the steam generator.
- The minimum clearance from combustible surfaces is zero all around.

TO AVOID EQUIPMENT DAMAGE DO NOT CONNECT POWER SUPPLY DIRECTLY TO ELEMENTS !!!

NOTES:

1. M=Optional AutoFlush
2. All units in inches (MM)

WATER INLET	3/8" NPT
STEAM OUTLET	1/2" NPT
SAFETY VALVE	3/4" NPT
MANUAL DRAIN VALVE	1" NPT
AUTOFLUSH VALVE	1" NPT

Electrical

All electrical wiring to be installed by a qualified licensed electrician in accordance with National Electrical Code and local electrical code.

Power Wiring- See "Field Power Wiring" Diagrams (below)

1. Check power voltage. Use 240V rated unit when supply is greater than 208V. Use 208V rated unit for 208V power.
2. Use minimum 90° C/300V rated insulated copper conductors only, sized in accordance with National Electrical Code and local electrical code for the current in Ampere Chart. If allowed by codes, NM cable may require a larger wire size than as listed on the chart.
3. Connect suitably sized equipment grounding wire to ground terminal provided.
4. Install a separate circuit breaker between supply and unit. Provide a power supply disconnect within sight of the steam generator or one that is capable of being locked in the open position.
5. For single phase units, use two-wire supply source and equipment grounding wire. Neutral (white) wire is not required.

CHART

Model No.	Max Room Vol (Cu. Ft.*)	KW	Volts 1 PH [†]	Phase	Amps	Wire Size (AWG) for 40° C Ambient	Wire Size (AWG) for 45° C Ambient
CT6E	150	6.0	208	1	29	8	8
				3	17	10	10
			240	1	25	8	8
				3	14	12	12
CT9E	360	9.0	208	1	44	8	6
				3	25	8	8
			240	1	38	8	8
				3	22	10	10
CT12E	575	12.0	208	1	58	6	4
				3	34	8	8
			240	1	50	6	6
				3	29	8	8
CT15E	675	15.0	208	1	73	4	3
				3	42	8	6
			240	1	63	4	4
				3	36	8	8

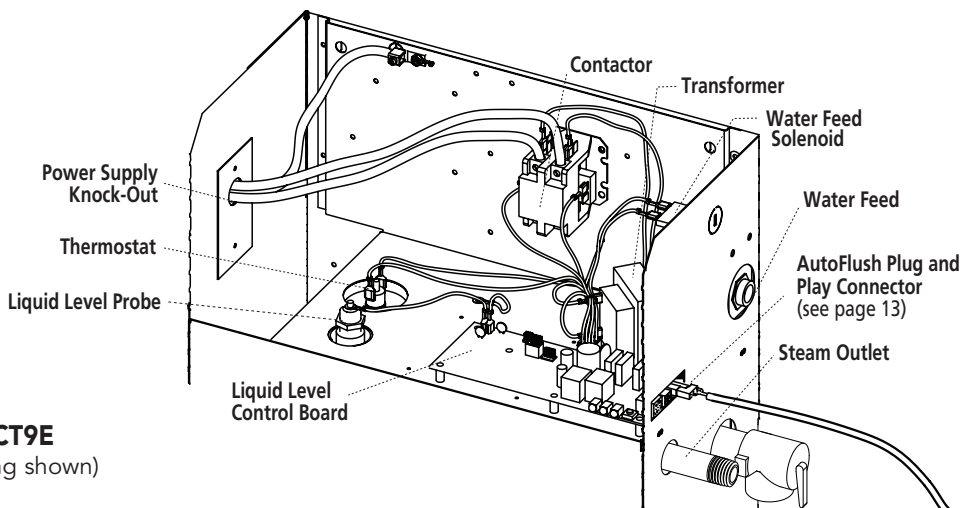
*See page 2 for room sizing.

†All specifications shown are for 208V and 240V. Consult factory for other voltage specifications.

! WARNING Provide a power supply disconnect within sight of the steam generator or one that is capable of being locked in the open position as permitted by code.

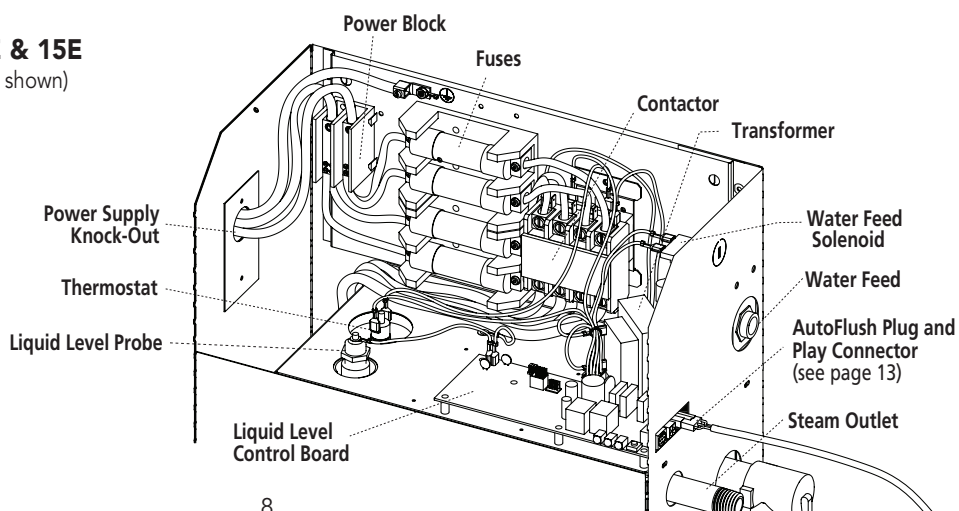
Field Power Wiring

1. TO AVOID EQUIPMENT DAMAGE DO NOT CONNECT POWER SUPPLY DIRECTLY TO ELEMENTS!!!
2. L1, L2, Ground to be field wired



Models CT6E – CT9E
(single phase wiring shown)

Models CT12E & 15E
(single phase wiring shown)

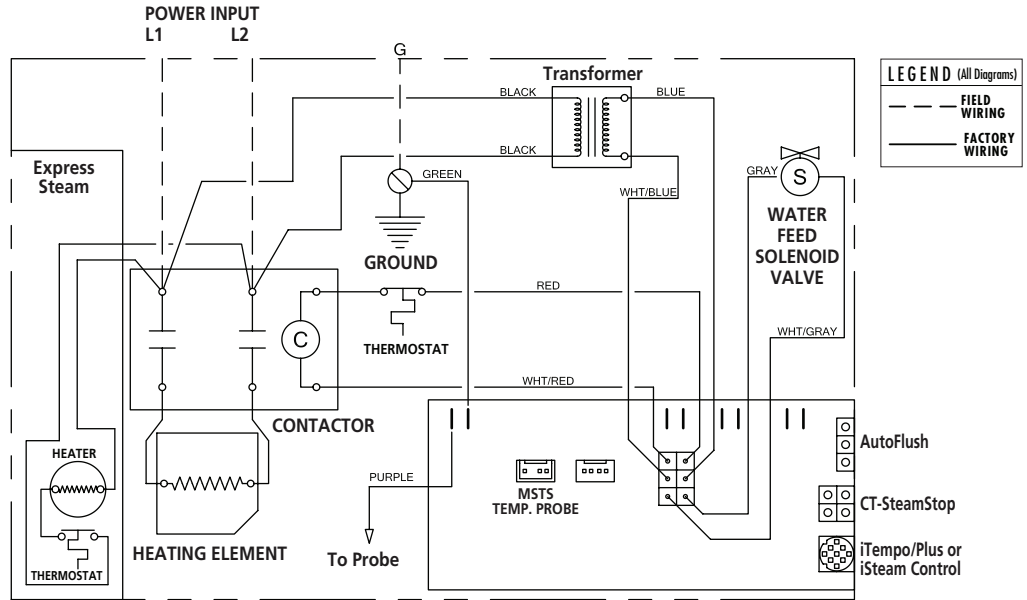


NOTE: FOR ILLUSTRATIVE PURPOSES ONLY

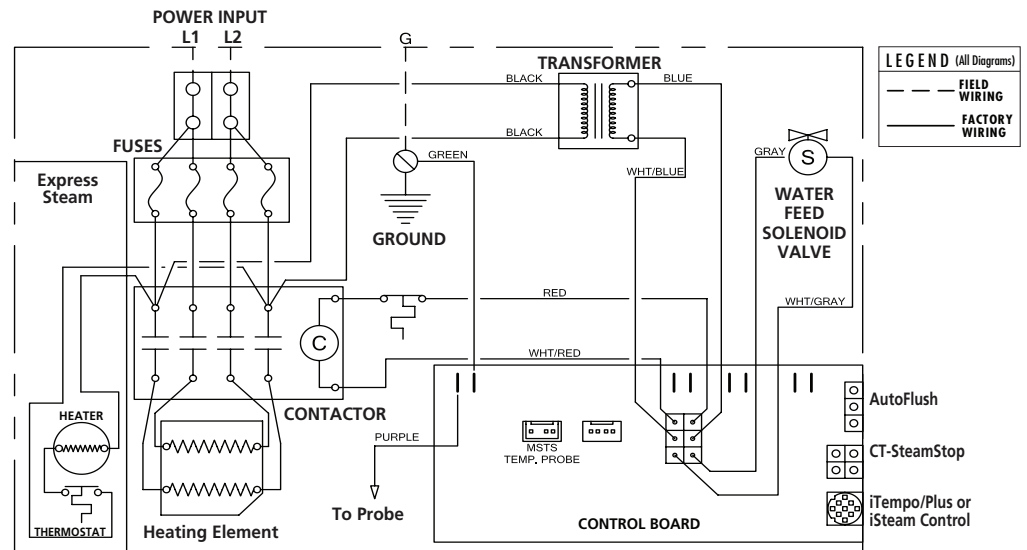
Some components may be omitted or altered for clarity. Do not use for wiring, repair or other purposes not related to component identification.

Single Phase Wiring Diagrams

MODEL CT6E & CT9E

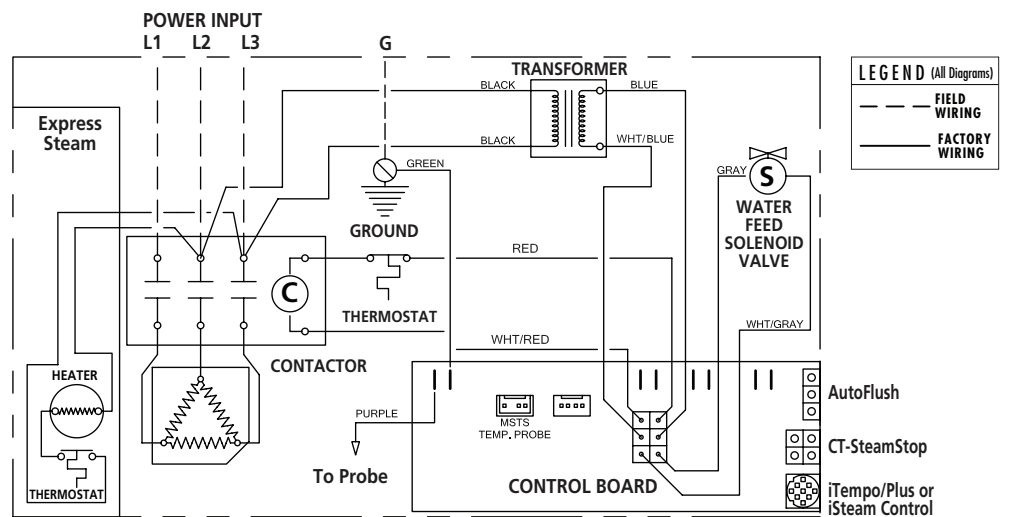


MODEL CT12E & CT15E



Three Phase Wiring Diagrams

MODEL CT6E, CT9E & CT12E



Initial Start-Up and Checkout

1. Turn on control. Follow specific instructions provided with controls.
2. Steam will begin to appear in approximately 5 minutes at the steam head. Steam will shut off when desired temperature is reached and will automatically resume when room temperature drops below set point.
3. Steam will shut off automatically when control counts down to zero. To shut steam off manually, turn control OFF. To clear steam from enclosure area, turn shower on before opening door.
4. If unit does not start and control does not turn ON (control display does not light up) then turn breaker off for 20 seconds and try again.
5. Refer to specific instruction sheets for installation, operation and maintenance of optional equipment and Control.

Maintenance

Mr.Steam steambath generators require little maintenance. Other than draining, maintenance procedures are minimal. When AutoFlush is not installed the manual drain valve should be opened fully flushing out accumulated materials, salts and other particles which are natural by-products of boiling water, after each use.

CAUTION Flush a minimum of two-three hours after the control has been turned off to insure that the water has cooled.

WARNING Draining immediately after a steam cycle may expose PVC and other piping to high temperature water. Check local codes. The unit will refill automatically after 10 minutes. In areas of hard water, a Mr.Steam AutoFlush® system is recommended for generator longevity.

Steam Generator Operation

Mr.Steam recommends beginning steam bathing at a low temperature setting to gauge comfort and safety levels. Set the duration at 10 minutes max. to gauge comfort and safety levels. This will allow the steam generator to heat up and begin producing.

Troubleshooting

Step 1 Check your main incoming power to the unit.

Step 2 Verify the transformer is receiving 208/240 VAC.

Step 3 Verify that you have 24VAC coming out of the transformer, WHT & WHT/BLU wires, into the board.

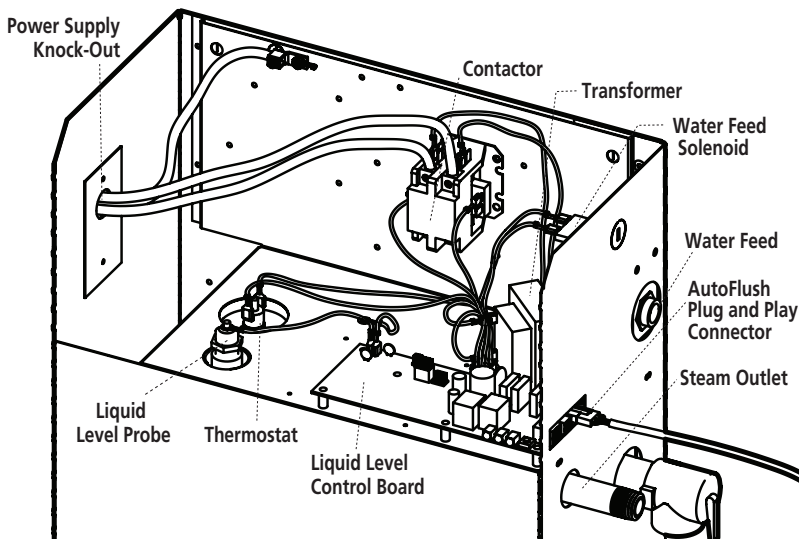
Step 4 Verify that you have the green light on the PC board.

Step 5 Push the white test button to run the generator on a 10 minute test cycle.

Step 6 Verify that you have 24 VAC to the water feed solenoid, GRY & WHT/GRY wires (will fill when needed).

Step 7 Temporarily short out the WLS (Purple wire) and GND (Green wire) terminals and verify the contactor engages.

Step 8 When the red light is on, verify that you have 24 VAC, RED & WHT/RED wires, to the contactor.



Step 9 Check to see that you have your main voltage on the load side of the contactor when it is engaged.

Step 10 If all steps on the power path were verified, turn off power to the unit and pull the heating element via the left hand access panel for inspection.

NOTE: FOR ILLUSTRATIVE PURPOSES ONLY.

Some components may be omitted or altered for clarity. Do not use for wiring, repair or other purposes not related to component identification.

Do not disassemble internal components, internal components contain no serviceable parts.

System Status Codes

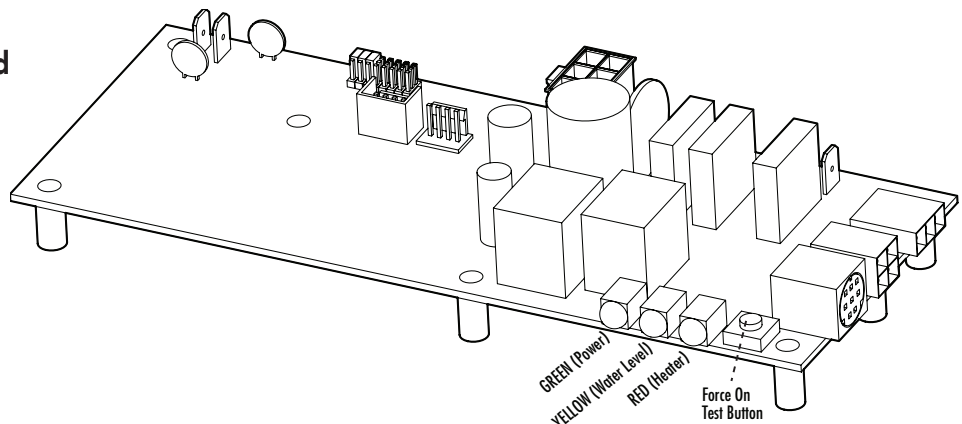
The iTempo/Plus control may display a status code if the steam generator is not functioning properly.

Code	Code Meaning	Probable Cause	Suggested Remedy
H20	Water level is not satisfied within 5 min.	Water Supply is off Defective water feed solenoid Water feed probe not functioning Drain Valve Open AutoFlush not functioning	Turn on Water Supply Check/replace water solenoid valve Check/clean probe. Check probe wiring. Check/Close drain valve Check/Replace AutoFlush
Prr1 or Prr2	Temperature Probe Error	Control/Remote sensor cable cut Internal problem with control/Remote Sensor	Replace Control Cable/Sensor Replace ControlSensor
Err1	Incorrect Field Supply Voltage (green light on liquid level control board will be off)	Incorrect voltage supplied to Generator	Supply steam generator with the correct voltage noted on the data plate label.
Err2	Button on control is pressed for more than 5 minutes	Control cover misalignment Debris behind control cover	Remove and reinstall control cover Remove control cover and clean cover, control and keypad with a damp cloth
Err7	Liquid Level Control Board malfunction	Memory error in LLCB	Press ON/OFF to clear. Replace control if code remains.

Liquid Level Control Board - EXPLANATION OF LED INDICATORS

GREEN	LED is ON when there is 208/240 Volt incoming power connected, 24 Volt transformer secondary output and on-board 5 Volt DC control power are present.
YELLOW	Water level indicator-LED is OFF when no water is detected (for more that 5 seconds). ON when water level is satisfactory. For units with AutoFlush, if more than five hours have elapsed since last usage and this LED is ON it is indicative of an AutoFlush or water level probe circuit malfunction.
RED	Contacting relay indicator-LED is ON when relay is closed and sending 24 Volts to the contactor coil. (This LED comes ON if the generator is ON.)
FORCE ON TEST BUTTON	This button is for trouble shooting only and will operate if a control is connected or not. Pressing the button again will shut the generator OFF. The test button will only allow the generator to operate for 10 minutes.

Liquid Level Control Board
PN 103975
(shown without wiring)



AutoFlush®

Box Contents

- AutoFlush Valve with Cord
- Installation instructions.

Operation

The AutoFlush System feature automatically drains the CT system following each use.

A time delay allows the water to cool down (about two hours) before it drains by gravity for a safe and gentle operation. Unit drains by gravity.

Installation Instructions

1. Plumbing to be performed by a qualified plumber and shall be in accordance with applicable national and local codes. Unit drains by gravity. A drain line that is lower than the AutoFlush assembly must be available. The AutoFlush System valve outlet is 1" NPT. Check plumbing code for receptor, trap and vent requirements.
2. Use copper or brass nipple 1" NPT x 3 1/2" or longer (not supplied) to connect AutoFlush valve to the Drain Valve, noting the direction of flow on the valve body.

CAUTION DO NOT REMOVE THE DRAIN VALVE
Removal may cause equipment and property damage. If there is not enough room for the valve, an elbow and a short nipple (not provided) can be added.

3. Open Drain Valve (handle must be aligned with brass nipple).
4. Connect the AutoFlush System cord connector to the three pin connector as shown.

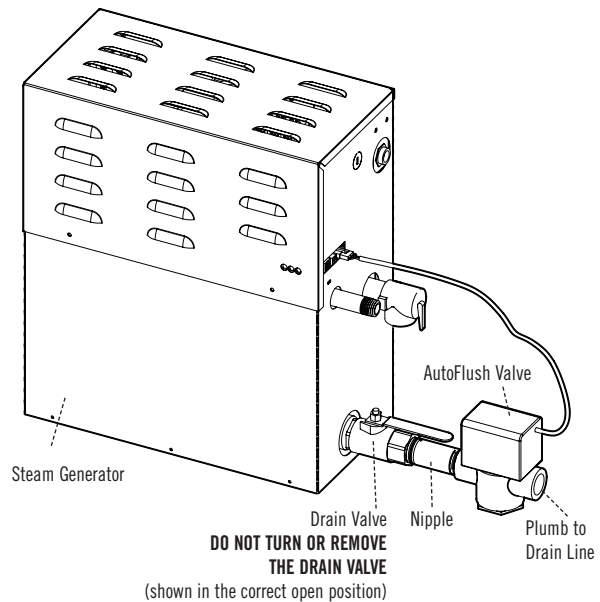
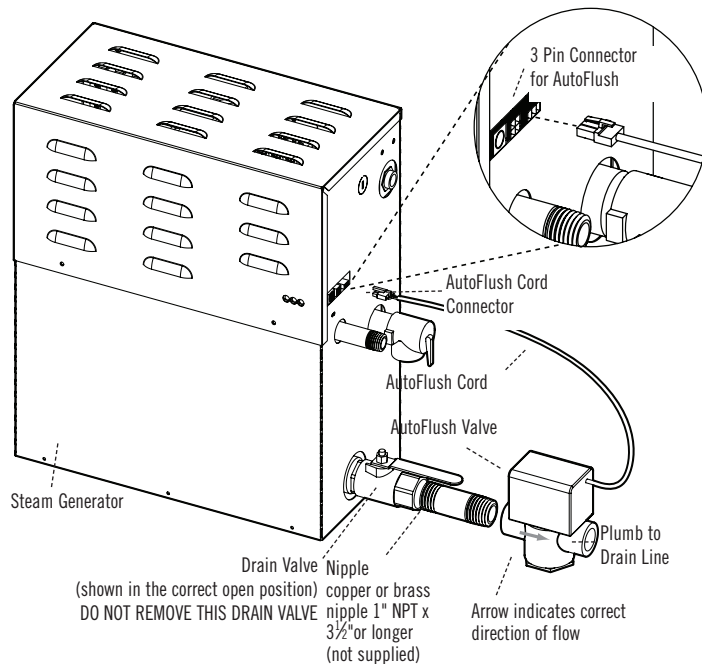
WARNING Do not drain into a steam enclosure or any location where accidental contact with drain water may occur. In the event of a power failure the AutoFlush System valve will open and may discharge boiling water.

Sweat Fittings

When using sweat fittings use only tin base solder with a melting point below 600 degrees F. Do not overheat. Ends of water supply tubing must be thoroughly clean for a minimum distance of 1" from ends. Do not remove valve cover.

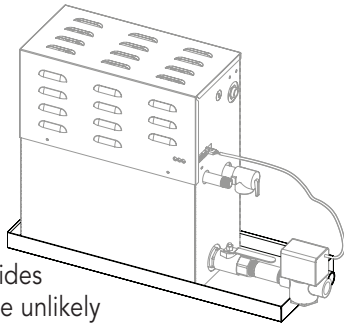
To Check Operation

1. Turn on Mr.Steam and allow tank to fill with water.
2. Turn off Mr.Steam control. Water should stay in tank.
3. Turn off power at the panel box. Water should discharge from tank.
4. Turn on power at panel box.
5. Repeat



CAUTION
PROVIDE DRAIN PLUMBING ACCORDING TO LOCAL CODES. PLUMB AS REQUIRED FOR AUTOFLUSH SYSTEM.

Drip Pan



Mr. Steam provides a drip pan in the unlikely event of a plumbing leak.

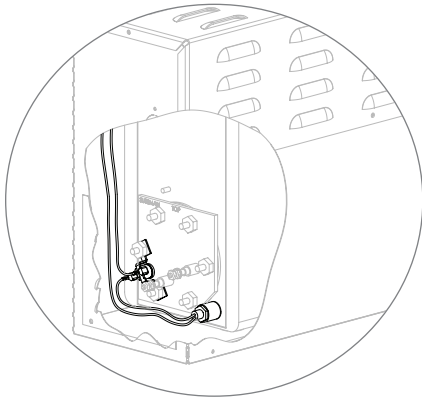
Locate the drip pan on a solid level surface and place the steam generator inside the drip pan. Insure the steam generator is level (see page 4 for locating the steam generator).

All plumbing shall be performed by a qualified licensed plumber and in accordance with applicable national and local codes. Check local plumbing code for receptor, trap and vent requirements.

Drip pans drain by gravity. The drip pan is equipped with an integral 3/4" NPT fitting.

Express Steam®

(Factory installed)



All CT models have Express Steam standard. Express Steam is equipped with a low power heating element and thermostat to keep the water in the tank warm enough to bring up steam quicker. All Express Steam components and wiring are installed at the factory. No additional wiring or plumbing is required by installers.

NOTE: FOR ILLUSTRATIVE PURPOSES ONLY

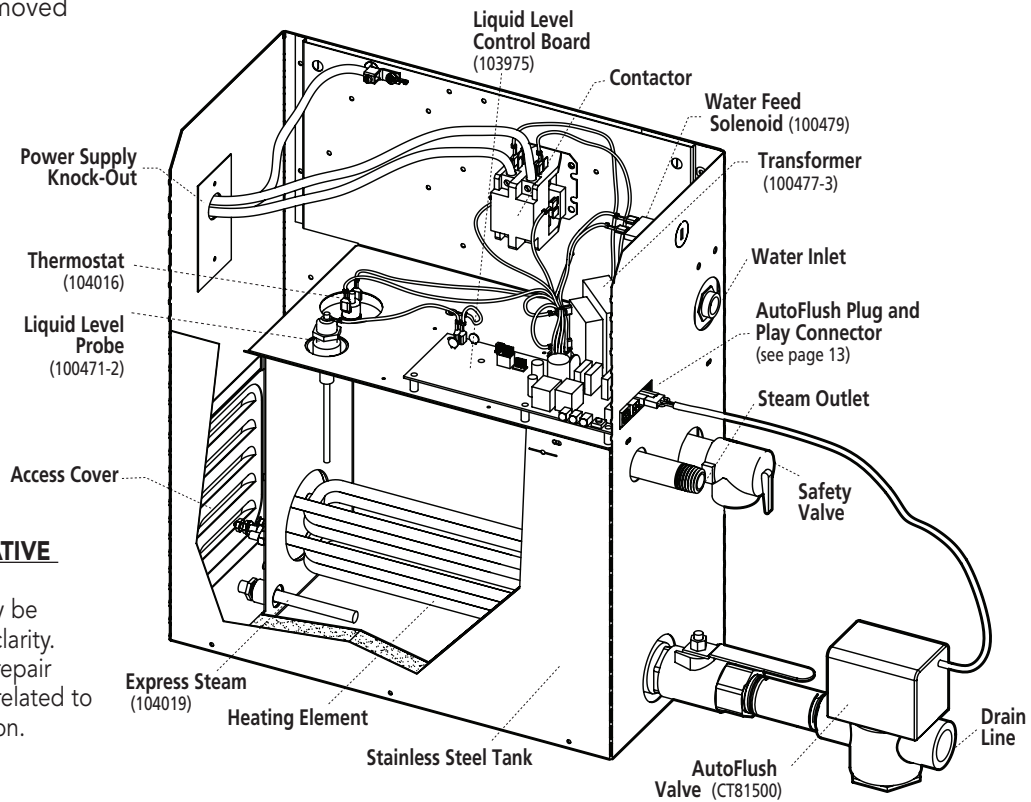
Some components may be omitted or altered for clarity. Do not use for wiring, repair or other purposes not related to component identification.

Replacement Parts List

Part No.	Description	Product
99178CT	Drain Valve	All models
99297	Safety Valve 15PSI	All models
100479	Water Feed Solenoid Valve w/filter	All models
10477-3	Transformer 24VAC	All models
103975	Liquid Level Control Board	All models
103990-60	Cable for iTempo/Plus Control (60 ft.)	iTempoPlus only
MSTS-60	Remote Temperature Probe	iTempoPlus only
100476-2	Contactor 50A 2-pole	CT6E & CT9E, Single phase
99012	Contactor 50A 3-pole	All 3-Phase models
103453	Contactor 50A 4-pole	CT12E
100471-2	Probe Assembly	All models
99096MS	Heating Element Gasket	All models
103412	Acrylic Shield	All Models
99314	Power Fuse 60A 250V	CT12E, Single phase
29061BMS	Heating Element 6 KW 208V	CT6E
29061CMS	Heating Element 6 KW 240V	CT6E
29091BMS	Heating Element 9 KW 208V	CT9E
29091CMS	Heating Element 9 KW 240V	CT9E
29121BMS	Heating Element 12 KW 208V	CT12E
29121CMS	Heating Element 12 KW 240V	CT12E
29151BMS	Heating Element 15 KW 208V	CT15E
29151CMS	Heating Element 15 KW 240V	CT15E
103978-60	Cable for CT-SteamStop (60 ft.)	All models
104016	Thermostat	All models
104015	Express Steam Thermostat	All models
104019	Heating element for Express Steam	All models
104117-30	Cable for iSteam (30 ft.)	iSteam Only
104117-60	Cable for iSteam (60 ft.)	iSteam Only
iMSTS	Remote Temperature Probe	iSteam Only

Models CT6E & CT9E

shown with cover removed

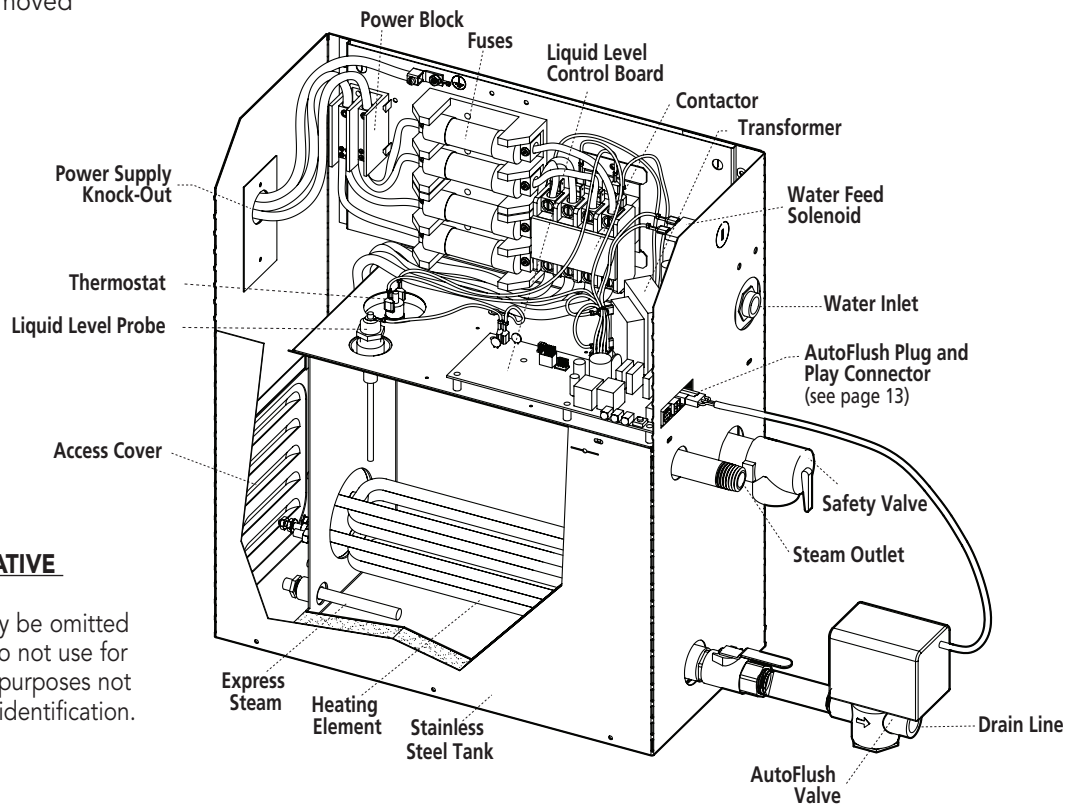


NOTE: FOR ILLUSTRATIVE PURPOSES ONLY.

Some components may be omitted or altered for clarity. Do not use for wiring, repair or other purposes not related to component identification.

Models CT12E

shown with cover removed



NOTE: FOR ILLUSTRATIVE PURPOSES ONLY.

Some components may be omitted or altered for clarity. Do not use for wiring, repair or other purposes not related to component identification.

Control Installation

Refer to Control Manual for specific installation requirements

Before Installing

Turn power to the steam generator OFF before connecting the control to the generator. Failure to turn the power off will result in an inoperable control.

CAUTION To avoid unintentional steambath operation, do not locate the control where other controls, accessories, shower heads, valves, body sprays or similar within the shower could cause confusion or interfere with the Mr.Steam control's intended use and function.

CAUTION Do not use any iSteam®, iTempo/Plus™, iTempo™, HomeWizard™ or iGenie® controls without reading and understanding its own manual and the Mr.Steam steam generator Installation and Operation Manual. Failure to read and understand these instructions may result in an inoperative or hazardous installation.

WARNING The warning placard located in the documentation envelope must be read and permanently affixed in a conspicuous location near the steam room. Failure to read and affix this warning placard in a conspicuous location may result in serious injury or death.

Install the iSteam, iTempo or iTempo/Plus controls according to installation instructions. Failure to install according to instructions will result in an inoperative control or hazardous overheating or inadequate heating of the steam room.

If an iSteam, iTempo or iTempo/Plus control is installed outside the steam room a Remote Temperature Probe (PN MSTs or iMSTs) must be installed inside the steam room per installation instructions supplied with the Remote Temperature Probe. Failure to install according to instructions will result in an inoperative control and overheating of the steam room.

WARNING Do not route iSteam, iTempo/Plus, iTempo, HomeWizard or iGenie control wiring inside conduit together with power lines or close to hot water or steam piping. Doing so may result in an inoperative or hazardous installation. Do not alter or modify any Mr. Steam products including the steam generator, iSteam, iTempo/Plus, iTempo, iGenie or HomeWizard controls. Doing so may result in an inoperative or hazardous installation and will void the warranty.

IMPORTANT NOTES:

1. Turn power to the steam generator OFF before connecting the control to the generator. Failure to turn the power off will result in an inoperative control.
2. Do not operate iSteam, iTempo/Plus, iTempo, HomeWizard or iGenie controls with other than a Mr.Steam iSteam or iTempo compatible steam generator. Mr.Steam steam generators with serial numbers lower than 900000, or any other brand of steam generator are not to be operated with iTempo controls. Doing so may result in an inoperative or hazardous installation. If iSteam is used with a generator having serial number 900000 through 930030, contact Mr.Steam technical support for an upgraded PC board.
3. This document contains important safety, operation and maintenance information. Leave this document with management. Do not discard this document.
4. Discontinue use of the steam generator or control if the steam generator is damaged or otherwise not functioning properly. Operating a damaged steam generator may result in an inoperative or hazardous installation.

Control Rough In

Refer to Installation Instructions for the specific control

1. Determine the desired installation location of the control. The iSteam®, iTempo™ and iTempo/Plus™ controls are designed to be installed inside or outside the steam room as a matter of personal preference. If the control is installed inside the steam room the control must be located:
 2. 4-5 feet above the floor near the bather seating area
 3. The control features an integral temperature sensor. Locate the control in a location representative of the desired steambathing temperatures. Do not locate the control above or near the steam head or direct steam emissions.
 4. on a vertical wall

The control cable length is 30 feet. Insure that the control and/or steam generator are located according-

ly. An optional 60 foot cable is available, PN 103990-60 for iTempo and PN 104117-60 for iSteam. Contact a Mr. Steam technical service representative if a 60 foot cable is required.

IMPORTANT NOTES: If the control is installed outside the steamroom a Remote Temperature Probe Part Number MSTs or iMSTs must be installed inside the steam room, depending on the control. Insure Mr.Steam steam generator is iSteam or iTempo compatible and has a serial number 900000 or higher. If iSteam is used with a generator having serial number 900000 through 930030, contact Mr.Steam technical support for an upgraded PC board.

See instructions for the MSTs or iMSTs Temperature Probe (located in the Control Installation Manual related to your specific control package) before rough-in or installation of control.

CT SteamStop™

On/Off Switch for iTempo/Plus®

Dimensional Information

Box Contents:

- CT SteamStop Control
- Owner's Manual
- 60' CT SteamStop Cable

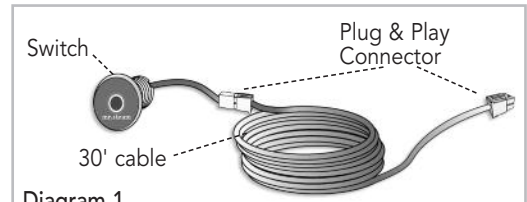
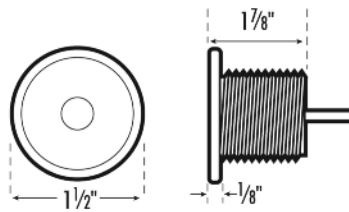


Diagram 1

Installing the CT SteamStop Control

The CT SteamStop has a 60 foot cable with a Plug & Play connector at both ends. (Diagram 1) The CT SteamStop must be installed inside the steamroom.

Step 1 Diagram 2

Drill a 7/8 inch diameter hole in a preferred wall location. Do not oversize or undersize the hole.

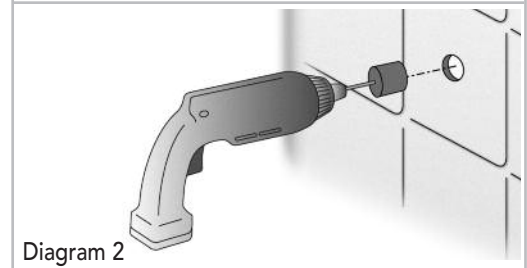


Diagram 2

Step 2 Diagram 3

Route the cable from the wall to the steam generator. Be careful not to strain, pinch or otherwise damage the control cable.



Diagram 3

Step 3 Diagram 4

Remove and discard the peel-off paper from the switch housing to expose the adhesive as shown in Diagram 4.

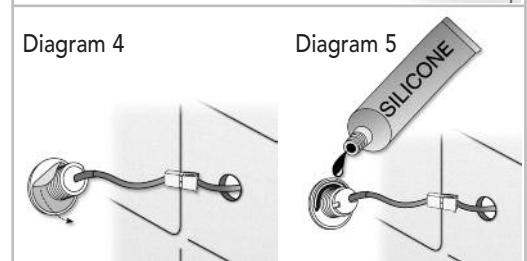


Diagram 4

Diagram 5

Step 4 Diagram 5

Apply silicone (provided with the iTempo/Plus control) to the hole in the wall as required to create a moisture seal. Apply silicone to the back of the switch as required to seal grout lines or as required for additional adhesion.

IMPORTANT: Use care not to apply silicone to the adhesive gasket.

Step 5

Push cable and switch housing into the hole firmly.

Step 6 Diagram 6

Firmly connect the Plug & Play connector to the steam generator connector labeled CT SteamStop.

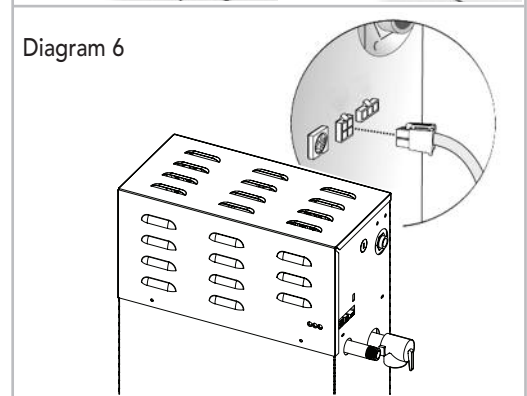


Diagram 6

Using the CT SteamStop® Control

The CT SteamStop control should be installed in the steam room for the user to start and stop the steam bath

Note: If an error code is detected by the system the LED indicator will flash. Refer to the iTempo/Plus or iSteam display for error code or call a Mr. Steam's service technician.



LED indicator will light up when the generator is ON.

NOTE: For Illustrative Purposes Only. Drawings Not to Scale

Care Tips for all Controls and Steamheads

1. Use only mild soap and water on a soft cloth to clean the control and steamhead.
2. Do not use abrasive cleansers.
3. If the decorative cover is damaged on the iTempo/ Plus call Mr.Steam technical service for replacement parts.

NOTE: Replacement of the decorative covers requires removal and reinstallation of the control from the mounting surfaces.

Warranty

To view or download the Mr. Steam Steam Generator Warranty and register your Product go to: [**blog.mrsteam.com/wr**](http://blog.mrsteam.com/wr)



mr.steam®

Feel Good Inc.

www.mrsteam.com

Products, information and specifications are subject to change without notice.

Please call Sales & Support at 1.800.76.STEAM (East Coast) or 1.800.72.STEAM (West Coast) for more information.

mr.steam® Sussman-Automatic Corporation® | hello@mrsteam.com | www.mrsteam.com
43-20 34th Street, Long Island City, NY 11101 | 9410 S. La Cienega Blvd. Inglewood CA 90301
TEL: 1 800 767 8326 FAX: 718 472 3256 | TEL: 1 800 727 8326 FAX: 310 216 2944



2014 © Sussman-Automatic Corporation | Mr.Steam and des., AromaFlo, AutoFlush, AutoSteam, Butler Package, ChromaSteam, Clean Steam...Every Time, Club Therapy, Digital 1, Express Steam, From Bathroom to Spa, iGenie, iSizing, iSteam, iSteam/Plus, Making Wellness a Way of Life, MusicTherapy, Spa Package, Steam Genie, Steam on Demand, Steam@Home, SteamTherapy, Sussman, Valet Package, Virtual Spa System, Voice Genie and Voice Wizard are registered trademarks of Sussman-Automatic Corporation. AudioWizard, A Lifetime of Pleasure, Home Wizard, iButler, iSteamTV, iTempo, iTempo/Plus, MySteam, Smart Sizing, Steam in a Box, SteamStart, SteamStop, The Intelligent Steambath are trademarks of Sussman-Automatic Corporation. PUR 100426 2.14