

Savvy™ Technical Specification

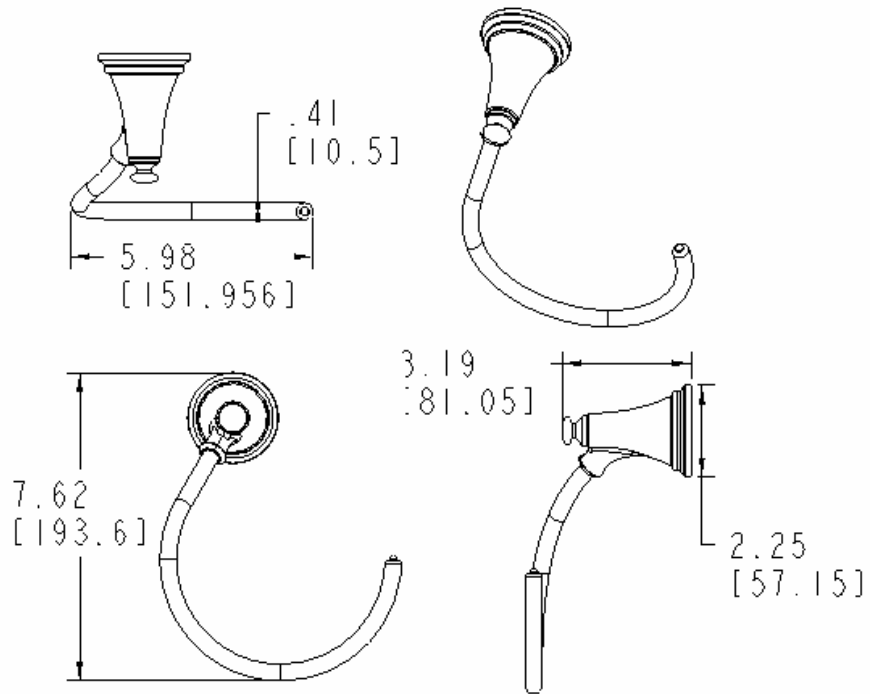
Towel Ring

YB9486

Stock Numbers:

- q **YB9486CH – Towel Ring**
Chrome Finish
- q **YB9486BN – Towel Ring**
Brushed Nickel Finish
- q **YB9486BB – Towel Ring**
Brushed Bronze Finish

Dimensions:



Materials:

Towel Ring is constructed of zinc.

Installation Instructions:

1. Position the mounting template on the wall in the desired location.
2. Remove the mounting post from the body by loosening the setscrew.
3. Place the mounting post on the template with notch facing down.
4. Drill a 1/4" hole at the center of the oval marked location.
5. Remove the template from the wall and insert the wall anchor (provided) into the drilled hole.
6. Place the mounting plate on the wall over the installed wall anchor. Insert screw through the mounting plate into the anchor. Tighten the screw.
7. Position robe hook with the setscrew down, and place over mounting post. Tighten the setscrew.

Cleaning Instructions:

To preserve the fine finish of this product, clean only with a soft damp cloth. Dry well. Do not use commercial or abrasive cleaners.

Stock Number: _____ **Towel Ring**
By Creative Specialties



25300 AL MOEN DRIVE • NORTH OLMSTED, OH 44070
CORPORATE HEADQUARTERS: (800) 321-8809 • FAX: (800) 848-6636
INTERNATIONAL: (440) 962-2000 • FAX: (440) 962-2726
CUSTOMER SERVICE (USA): 800-882-0116 • FAX: (888) 379-2720
WWW.SHOWHOUSE.MOEN.COM

©Copyright Creative Specialties International 2006

Literature #BA1380