

# Kingsley Technical Specification

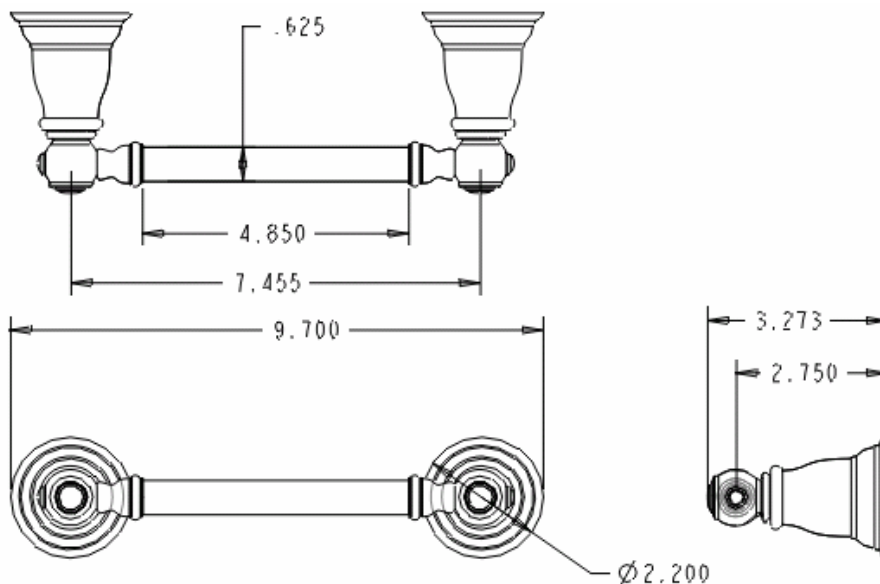
## Paper Holder

# YB5408

### Stock Numbers:

- q **YB5408CH – Paper Holder**  
Chrome Finish
- q **YB5408CP – Paper Holder**  
Chrome & Polished Brass Finish
- q **YB5408PB – Paper Holder**  
Polished Brass Finish
- q **YB5408WR – Paper Holder**  
Wrought Iron Finish
- q **YB5408BN – Paper Holder**  
Brushed Nickel Finish
- q **YB5408AN – Paper Holder**  
Antique Nickel Finish
- q **YB5408ORB – Paper Holder**  
Oil Rubbed Bronze Finish

### Dimensions:



### Materials:

Paper Holder is constructed of zinc.

### Installation Instructions:

1. Remove the mounting post from the body by loosening the setscrew.
2. Position the mounting template on the wall in the desired location. Using a level, align the template and tape it to the wall.
3. Place each mounting post on the template.
4. One at a time, place each anchor screw through the mounting plate, centered in the large hole. Using a Phillips screwdriver, turn the anchor screw while applying pressure. Screw will self drill and tap into drywall.
5. Only insert screw  $\frac{1}{2}$  to  $\frac{3}{4}$  into wall.
6. After all screws are installed, tear the template away from the wall.
7. Tighten all 4 the screws. Do not over tighten.
8. Place each post over the mounting plate (setscrew down). Pivoting post with bar to be on left side. Tighten both setscrews.

### Cleaning Instructions:

To preserve the fine finish of this product, clean only with a soft damp cloth. Dry well. Do not use commercial or abrasive cleaners.

**Stock Number:** \_\_\_\_\_ **Paper Holder**  
By CSI Bath Furnishings



25300 AL MOEN DRIVE • NORTH OLMSTED, OH 44070 (800) 321-8809 •  
FAX: (800) 848-6636 • INTERNATIONAL: (440) 962-2000 •  
FAX: (440) 962-2726 CUSTOMER SERVICE (USA): 800-882-0116  
©Copyright CSI Bath Furnishing Division of Moen 02/22/01

Literature #BA1118