



Buy it for looks. Buy it for life.®

Specifications

FAUCET DESCRIPTION

- Metal construction with various finishes identified by suffix
- Includes four single-function body sprays
- Includes 7" rainshower showerhead, arm and flange
- Includes four function hand shower with 69" hose assembly, drop ell and slide bar

OPERATION

- Flow lever operates counterclockwise through a 90° arc with off at 6 o'clock and maximum flow at the 3 o'clock position. Shut off in clockwise direction
- Temperature lever operates through a 340° arc with maximum cold at full clockwise rotation and maximum hot at full counterclockwise rotation
- Safety stop preset temperature at 105°F (4°C)
- Safety stop override allows maximum temperature at 120°F (49°C)
- Factory established temperature range from 70°F (21°C) to 120°F (49°C)

FLOW

- Showerhead and handshower are limited to 2.5 gpm (9.5 L/min)
- Bodysprays limited to 1.75 gpm each (6.6 L/min)

CARTRIDGE

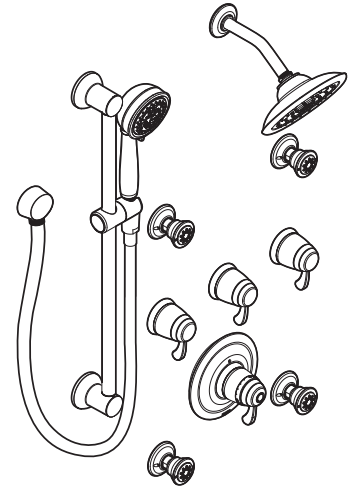
- 30156 thermostatic cartridge design with non metallic/nonferrous materials
- 130157 volume ceramic disc cartridge design

STANDARDS

- Third party certified to: CSA B-125.1, ASME A112.18.1, ASSE1016 and all applicable requirements referenced therein

WARRANTY

- Lifetime limited warranty against leaks, drips and finish defects to the original consumer purchaser
- 5 year warranty if used in commercial installations



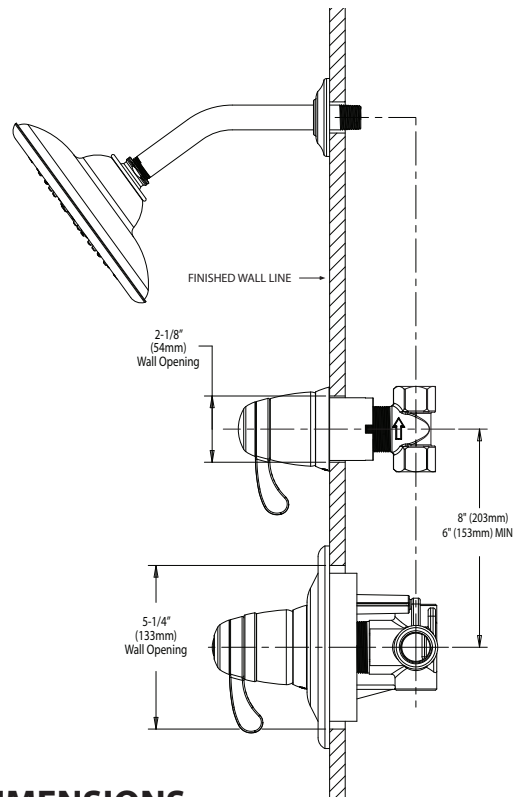
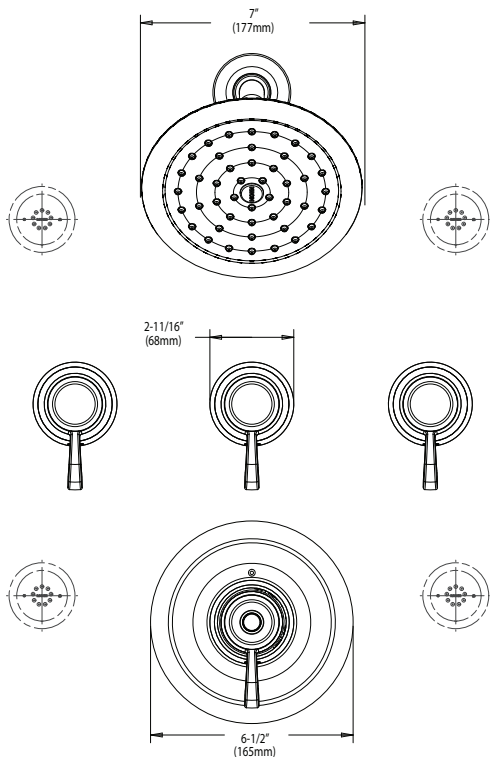
MOEN®

3/4" Thermostatic Vertical Spa

Model: TS275 series

Valve Models: S3371, S3600

(Sold separately)



CRITICAL DIMENSIONS

(DO NOT SCALE)