



Buy it for looks. Buy it for life.®

Specifications

SINK DESCRIPTION

- Manufactured of 18 gauge stainless steel
- The two bowls are 13" x 16-1/2" x 10"
- The sink ledge has one or four fixture mounting hole options, 1-1/2" in diameter and 4" on center
- Has one 3-1/2" diameter recessed drain opening in each bowl
- Soundshield undercoating maximizes sound deadening and inhibits condensation
- Made in U.S.A.
- Includes all necessary mounting hardware

CUT OUT DIMENSIONS

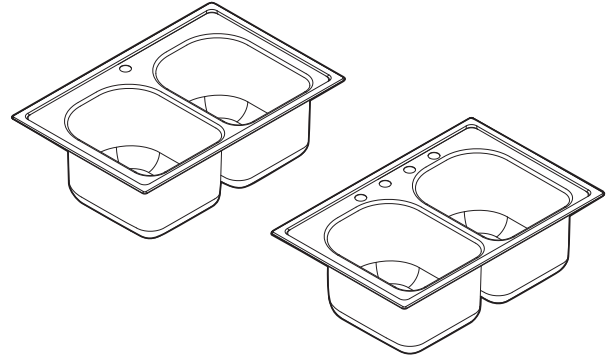
- Cut out dimensions are 32-3/8" x 21-3/8", with a 3/8" corner radius. A tolerance of plus or minus 1/16" is acceptable.

STANDARDS

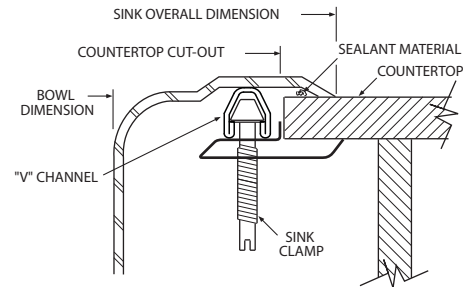
- Third party certified to ASME A112.19.3/CSA B45.4 and all applicable specifications referenced therein

WARRANTY

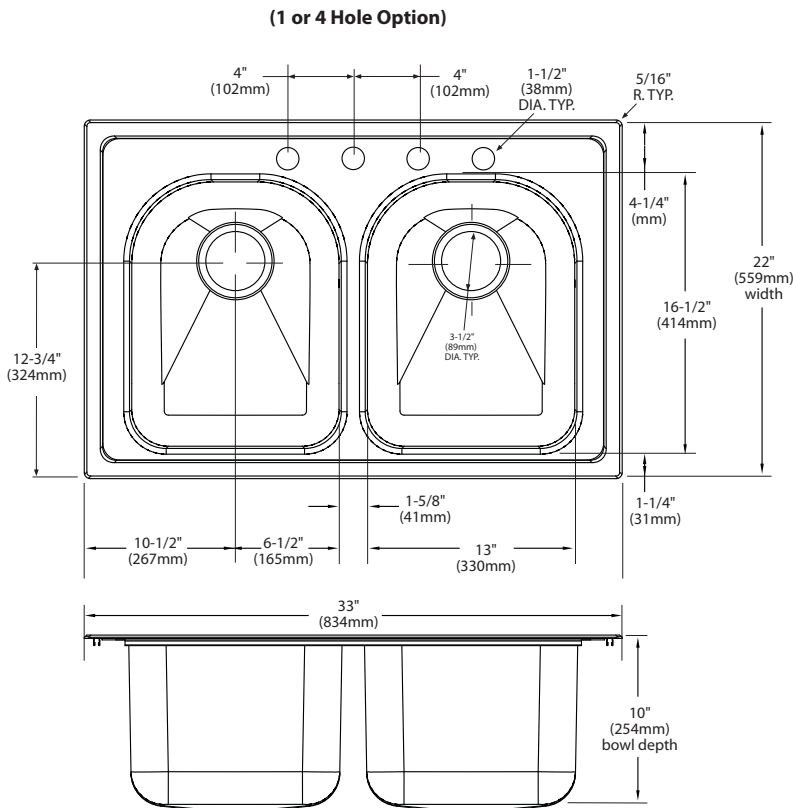
- Warranted for fifteen years against material or manufacturing defects



Lancelot®
Double Bowl Drop-In Sink
Models: S22393, S22394
(LDE-3322-1), (LDE-3322-4)



Installation Detail



CRITICAL DIMENSIONS

(DO NOT SCALE)