

Reed™ Technical Specification

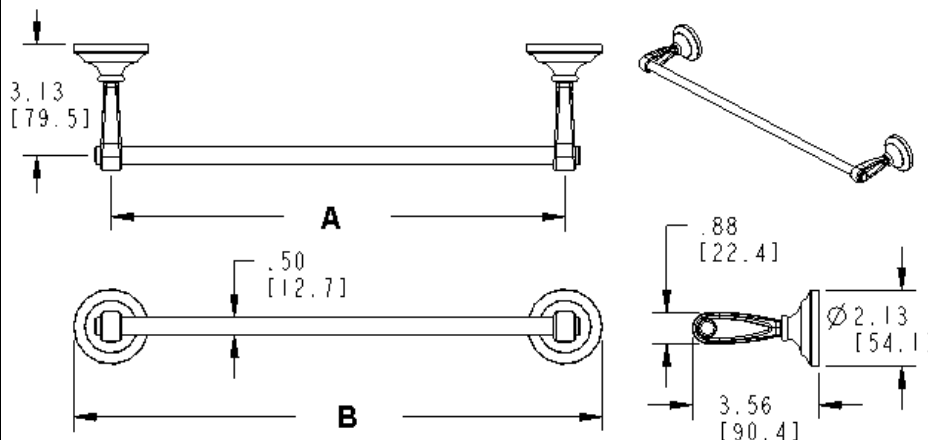
18" & 24" Towel Bar

DN1018 & DN1024

Stock Numbers:

- q **DN1018CH – 18" Towel Bar**
Chrome Finish
- q **DN1024CH – 24" Towel Bar**
Chrome Finish
- q **DN1018NLBN – 18" Towel Bar**
Brushed Nickel & Polished Nickel Finish
- q **DN1024NLBN – 24" Towel Bar**
Brushed Nickel & Polished Nickel Finish

Dimensions:



	18"	24"
Dim. A	18.00	24.00
Dim. B	20.13	26.13

Materials:

Towel bar posts are constructed of zinc. Bar is constructed of brass.

Installation Instructions:

1. Position the mounting template on the wall in the desired location. Using a level, align the template and tape it to the wall.
2. Place each metal bracket over the template.
3. One at a time, place each anchor screw through the bracket, centered in the hole. Using a Phillips screwdriver, turn the anchor screw while applying pressure. Screw will self drill and tap into drywall.
4. Only insert screw 1/2" to 3/4" into wall.
5. After all screws are installed, tear the template away from the wall.
6. Tighten all 4 of the screws. Do not over tighten.
7. Assemble the towel bar and posts.
8. While assembled, position each end post with the setscrew down and place over mounting bracket. Tighten the setscrew at the bottom of each base.

Cleaning Instructions:

To preserve the fine finish of this product, clean only with a soft damp cloth. Dry well. Do not use commercial or abrasive cleaners.

Stock Number: _____ Towel Bar
By Creative Specialties



25300 AL MOEN DRIVE • NORTH OLMSSTED, OH 44070
CORPORATE HEADQUARTERS: (800) 321-8809 • FAX: (800) 848-6636
INTERNATIONAL: (440) 962-2000 • FAX: (440) 962-2726
CUSTOMER SERVICE (USA): 800-882-0116 • FAX: (888) 379-2720

©Copyright Creative Specialties International 2003

Literature #BA1179