

Recessed Fixtures Technical Specification

Recessed Paper Holders

977

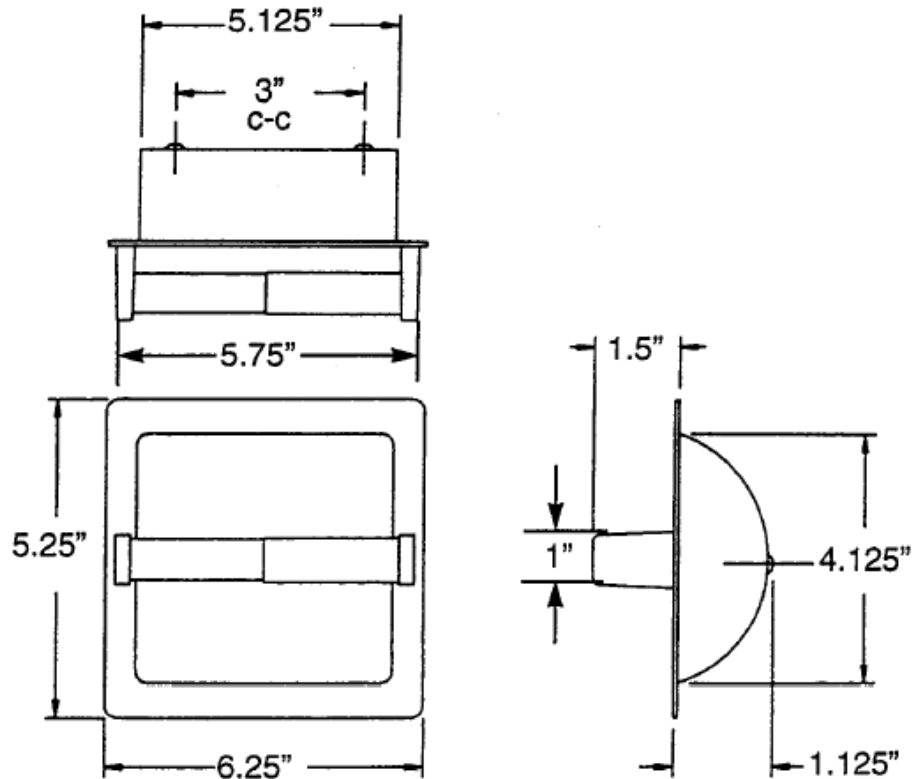
Stock Numbers:

- q **977 – Recessed Paper Holder**
Polished Chrome Finish
White Roller
- q **L977 – Recessed Paper Holder**
Polished Chrome Finish
White Roller
Tile Lugs

Materials:

Recessed Paper Holder shell is die cast from highest quality zinc alloy (zamac) with a triple plated polished chrome finish. Rollers are plastic and spring loaded.

Dimensions:



Installation Instructions:

Cut out wall opening 5.25" x 4.25" x 1.125" depth. If wood blocking is available, install recess shell into opening using screws (provided). If wood blocking is not available, use optional installation clamp: BR587 or 588.

Stock Number: _____ **Recessed Paper Holder**
By CSI Bath Furnishings



25300 AL MOEN DRIVE • NORTH OLMSTED, OH 44070 (800) 321-8809 •
FAX: (800) 848-6636 • INTERNATIONAL: (440) 962-2000 •
FAX: (440) 962-2726 CUSTOMER SERVICE (USA): 800-882-0116
©Copyright CSI Bath Furnishing Division of Moen 02/22/01