


SINK DESCRIPTION

- Manufactured of 20 gauge stainless steel
- The large bowl is a minimum of 21" wide by 16" and is 5-1/2" deep
- The sink ledge has four fixture mounting holes, 1-1/2" in diameter and 4" on center
- Has one 3-1/2" diameter recessed drain opening located left rear of bowl
- Soundshield undercoating maximizes sound deadening and inhibits condensation
- Made in USA
- Includes all necessary mounting hardware

CUT OUT DIMENSIONS

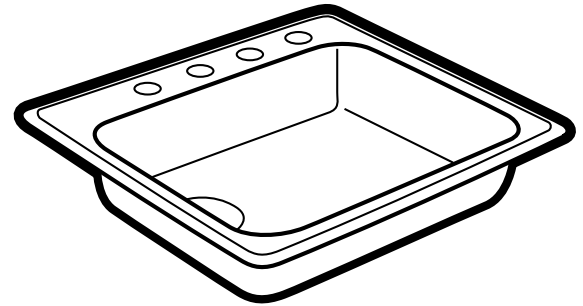
- Cut out dimensions are 24-3/8" x 21-3/8", with a 3/8" corner radius. A tolerance of plus or minus 1/16" is acceptable

STANDARDS

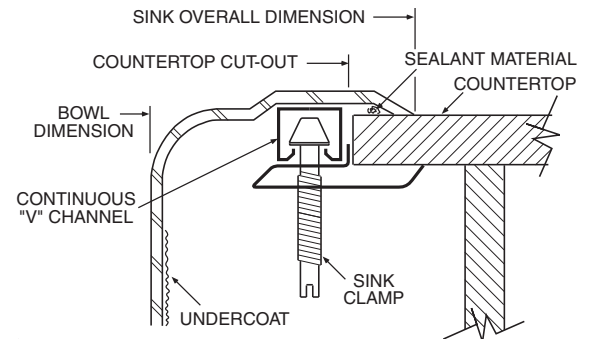
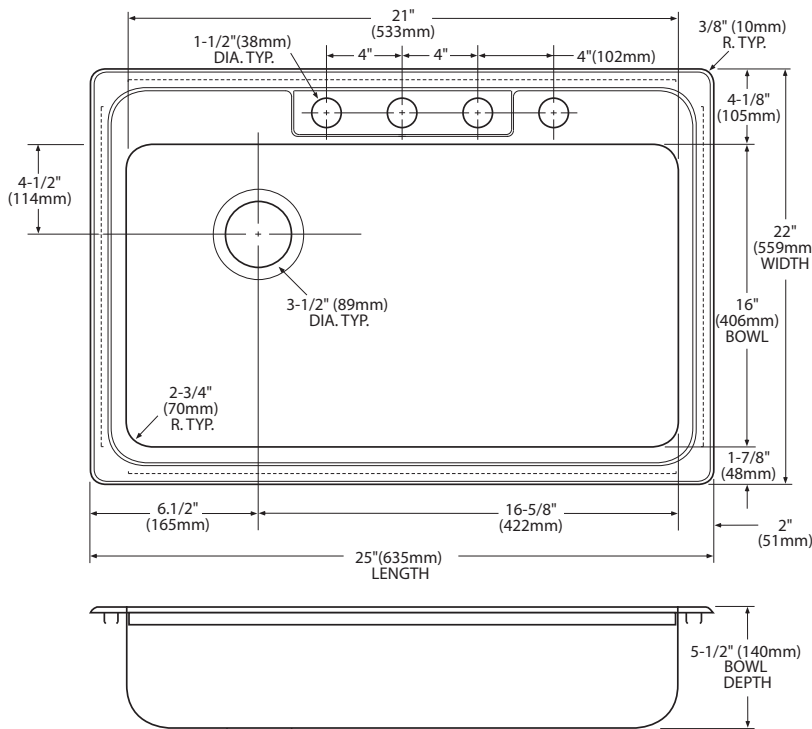
- Third party certified to ASME A112.19.3/CSA B45.4 and all applicable specifications referenced therein
- Suitable for an ADA  compliant installation

WARRANTY

- Warranted for five years against material or manufacturing defects



Single Bowl Kitchen Sink
Model: 22130
(C-2522-4-HL)



Installation Detail

CRITICAL DIMENSIONS

(DO NOT SCALE)