

INSTALLATION INSTRUCTIONS

For Trim Rings Models

READ AND SAVE THESE INSTRUCTIONS

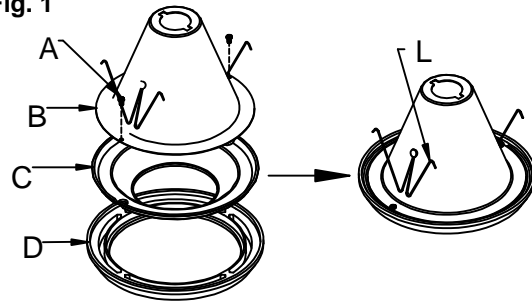
WARNING! SHUT POWER OFF AT FUSE OR CIRCUIT BREAKER.

AVERTISSEMENT! COUPER LE COURANT AU NIVEAU DES FUSIBLES OU DU DISJONCTEUR.

ASSEMBLING THE TRIM RING (Fig.1)

1. Carefully remove the trim ring from the carton and check that all parts are included as shown in the illustration.
2. Place Glass Ring (C) into Trim Ring (D), then cover with Baffle (B) and align the holes in Baffle with the holes in Trim Ring.
3. Thread Screws (A) through the holes in baffle and tighten it to Trim Ring.

Fig. 1



INSTALLATION (Fig. 2)

4. Shut off power at the circuit breaker.
5. Remove the bulb from the recess can and current trim ring.
6. Before installing frame baffle assembly to housing, remove and discard the socket plate (G) in housing by loosening Wing Nut (H) and Studs (E) as show in Fig. 2-A.
7. Place the frame baffle assembly in position under the ceiling, insert the clips of Socket (F) into the Slots (K) located on the top of frame baffle assembly. Pinch the legs of the Butterfly Spring (L) and insert the legs into the "L" tabs (I) protruding from the inside of the housing and release the butterfly spring as shown in Fig. 2-B. Repeat with other spring. Push the frame baffle trim up towards the ceiling, the springs will expand and lock the trim in place.
8. Install or replace the Light Bulb (M) (not included) with Suction Cup Tool (N) provide with trim ring as shown in Fig. 2-C.

Fig. 2-A

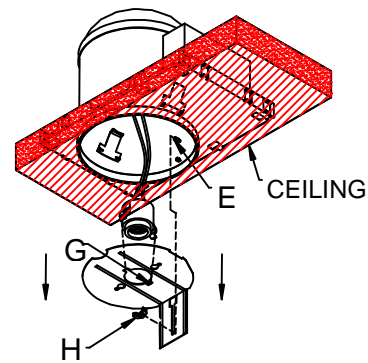


Fig. 2-B

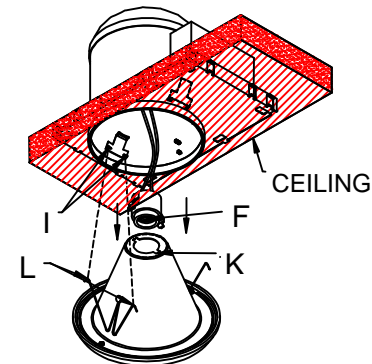
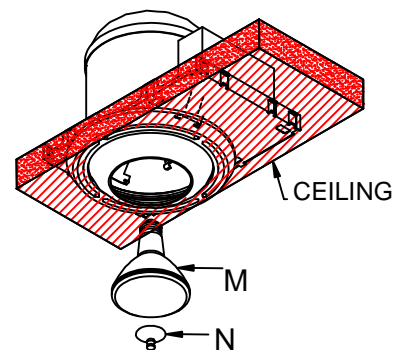


Fig. 2-C



CAUTION: Refer to the relamping label located near the lamp holder for recommended maximum bulb wattage.

(DO NOT EXCEED RECOMMENDED MAXIMUM WATTAGE !!). (NE PAS DEPASSER LA PUISSANCE NOMINALE MAXIMALE!).

Your installation is now complete turn power back on.

Note: Illustration (Fig.1& Fig.2) on this manual is for installation purposes only. It may or may not be identical to the fixture purchased.