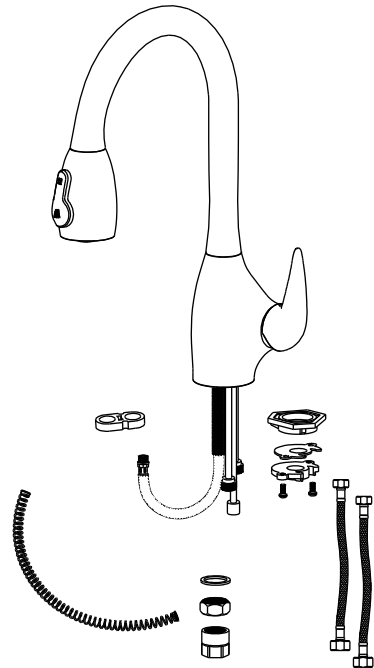


Installation Instruction

Single Handle Pull-down Kitchen Faucet

Before Your Installation

Check to make sure you have the following parts indicated below:



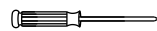
Tools You Will Need



Adjustable wrench



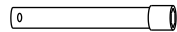
Adjustable wrench



Phillips screwdriver



Pipe tape (supplied)



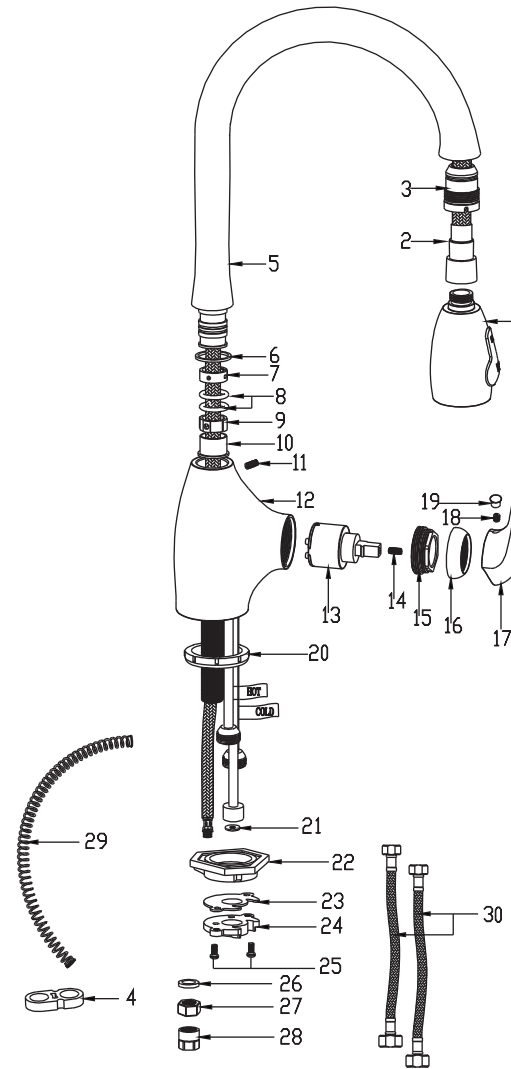
Spanner for body (supplied)



Spanner for aerator (supplied)

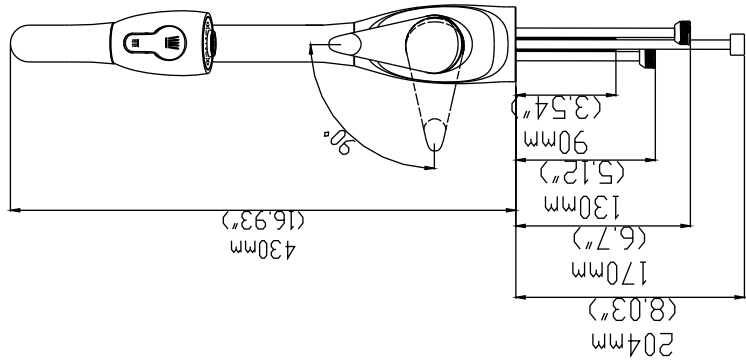
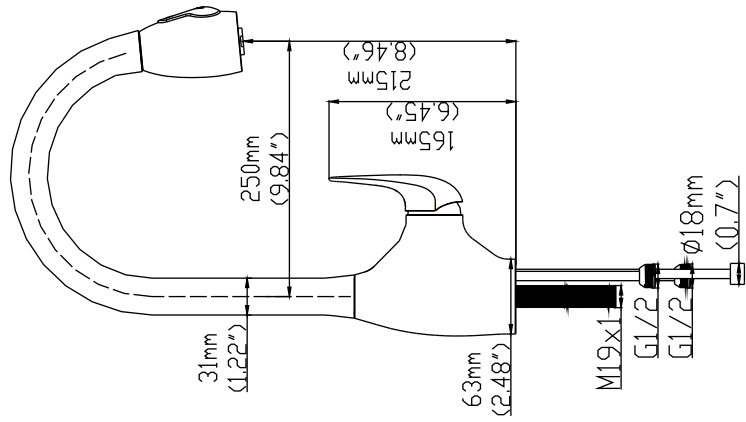
Replacement Parts

Keep this manual for ordering replacement parts.

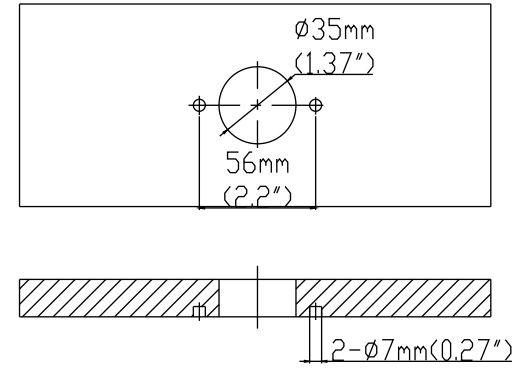


1. Sprayer
2. Hose
3. Plastic cover
4. Spring holder
5. Spout
6. White o-ring
7. Plastic cover
8. O-ring
9. Plastic cover
10. Plastic cover
11. Screw
12. Faucet body
13. Cartridge
14. Screw
15. Lock nut
16. Cartridge holder
17. Handle
18. Screw
19. Cover
20. Bottom plastic
21. Washer
22. Strengthening part
23. Rubber gasket
24. Stainless steel gasket
25. Screw
26. Steel gasket
27. Hexagon nut
28. Plastic nut
29. Spring
30. Hose

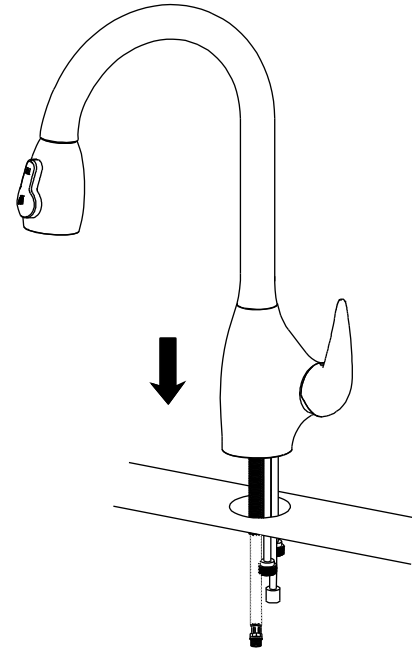
Product Dimension Drawing



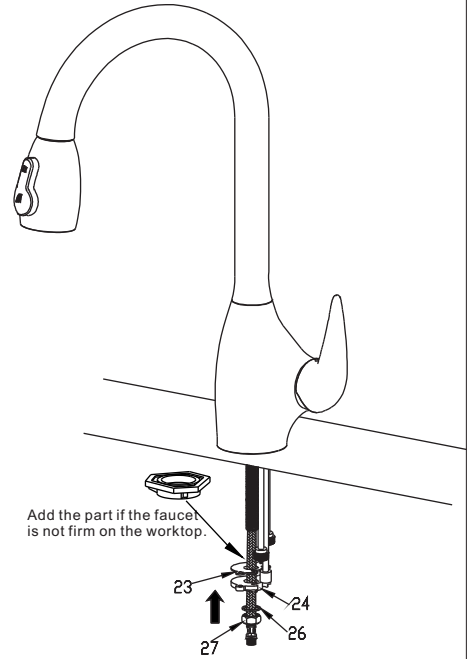
Faucet Installation Procedures



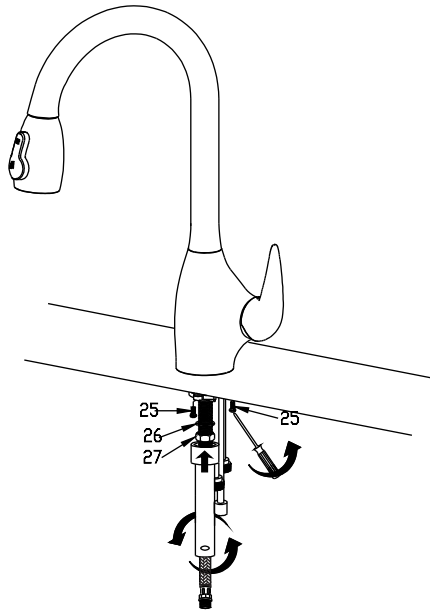
Step ①



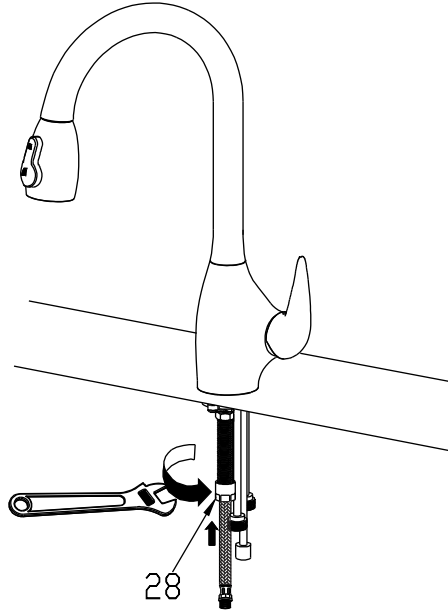
Step ②



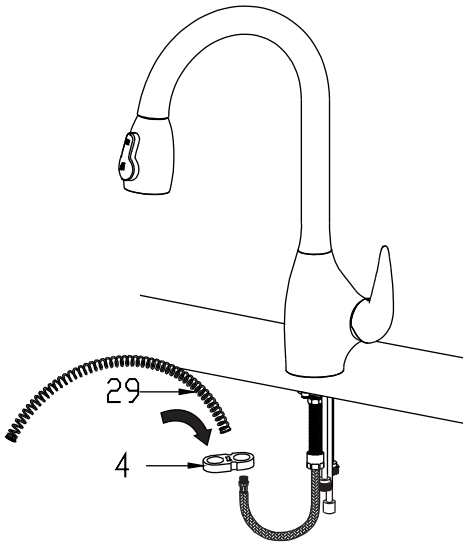
Step ③



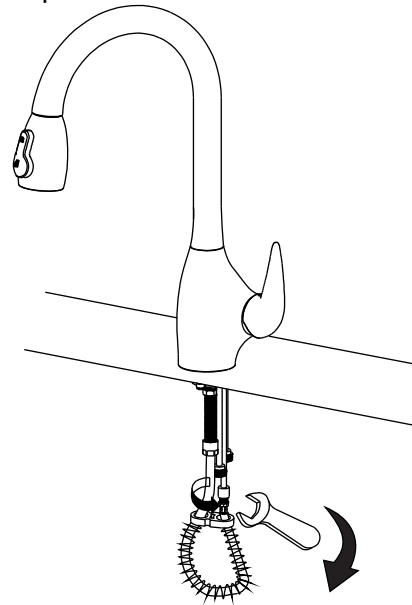
Step ④



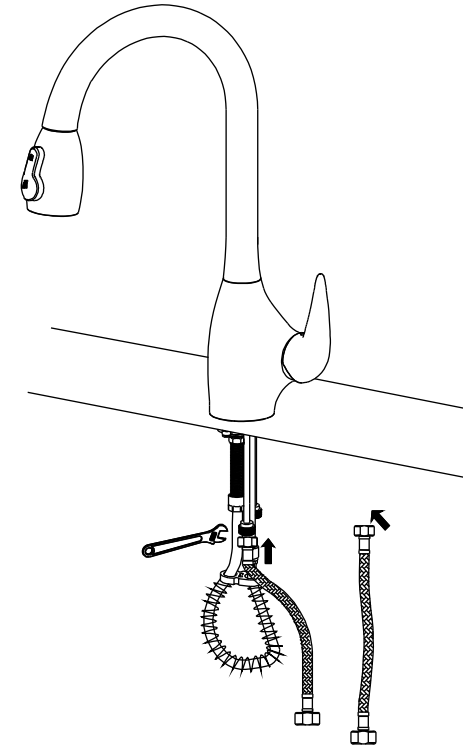
Step ⑤



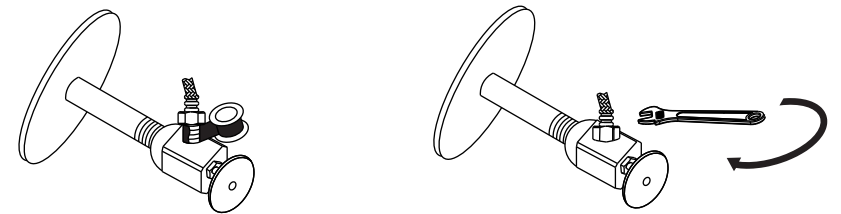
Step ⑥



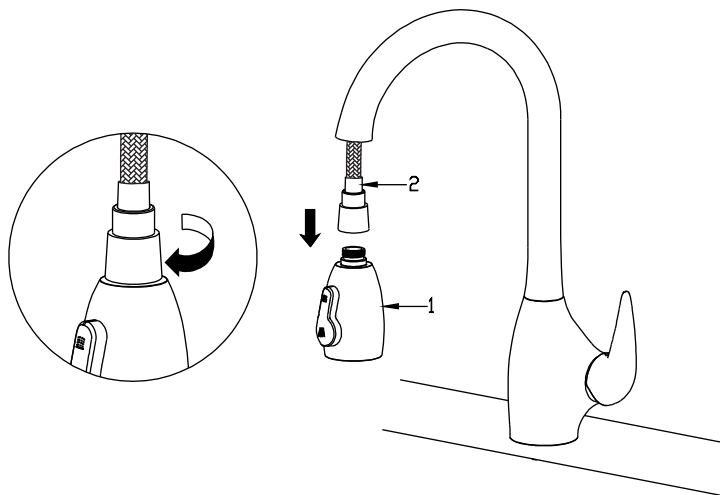
Step ⑦



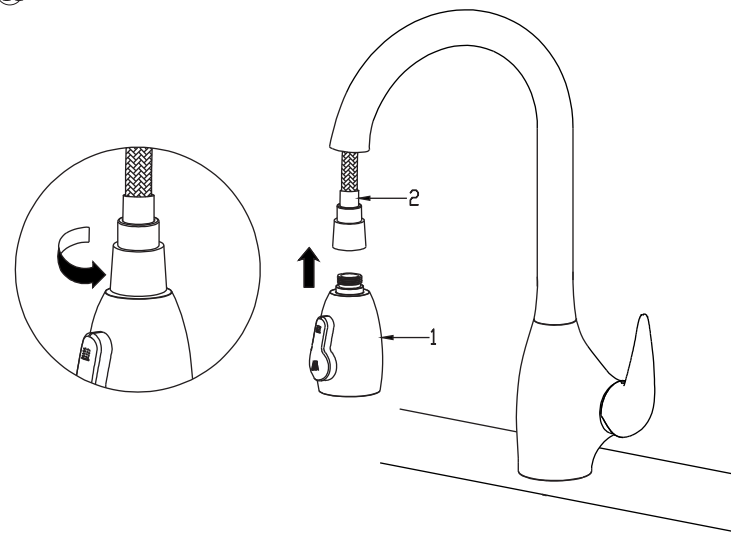
Step ⑧



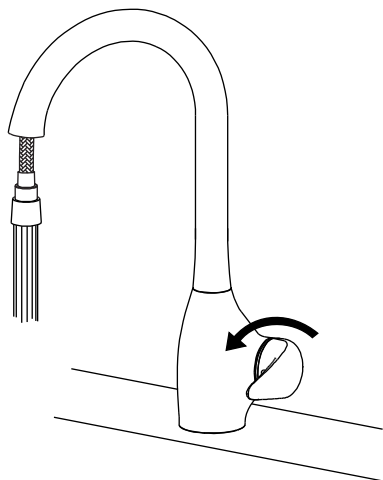
Step ⑨



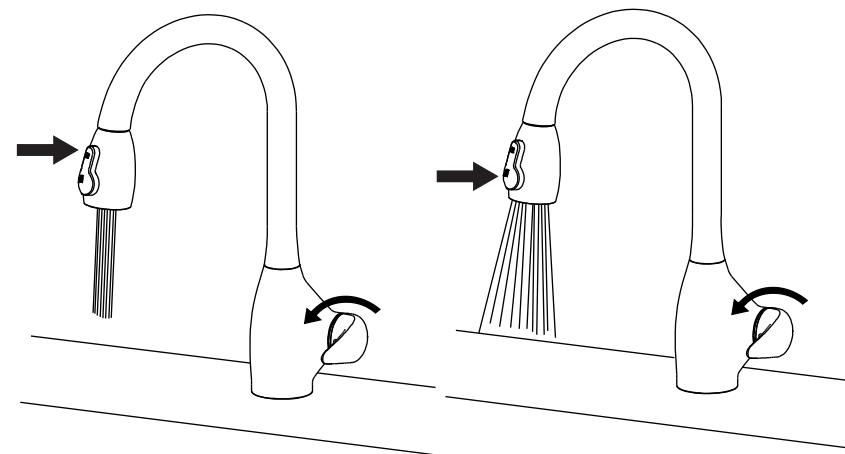
Step ⑪



Step ⑩



Step ⑫



Notice:

Please removing all of the sand, silt and other things from the water hose before assembling, to avoid blocking the faucet and effecting water rate. Please use the special tools to disassemble it and wash with pneumatic equipment, if the faucet blocked.