



Whitehaven®
Under-mount Apron Front Sink
K-5826

Features

- Single bowl.
- With 6-11/16" (170 mm) Self-Trimming® integral apron.
- Fits a standards 33" sink base cabinet.
- 32-1/2" (826 mm) x 21-9/16" (548 mm)

Material

- KOHLER cast iron.
- Acid-resistant enamel finish.

Installation

- Under-mount

Recommended Accessories

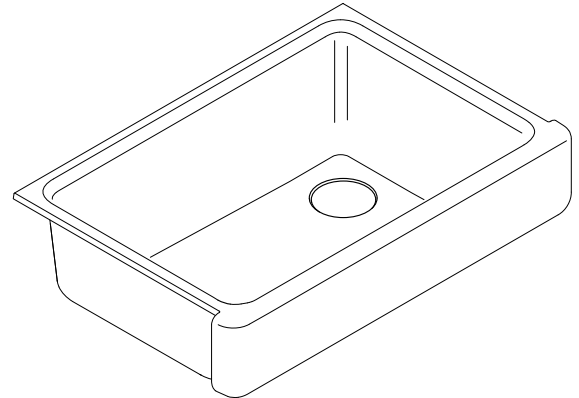
K-9000 P-Trap

Optional Accessories

K-6449 Sink Rack
K-8801 Sink Strainer

Components

Additional included component/s: Countertop cutout template, and Cabinet face cutout template.

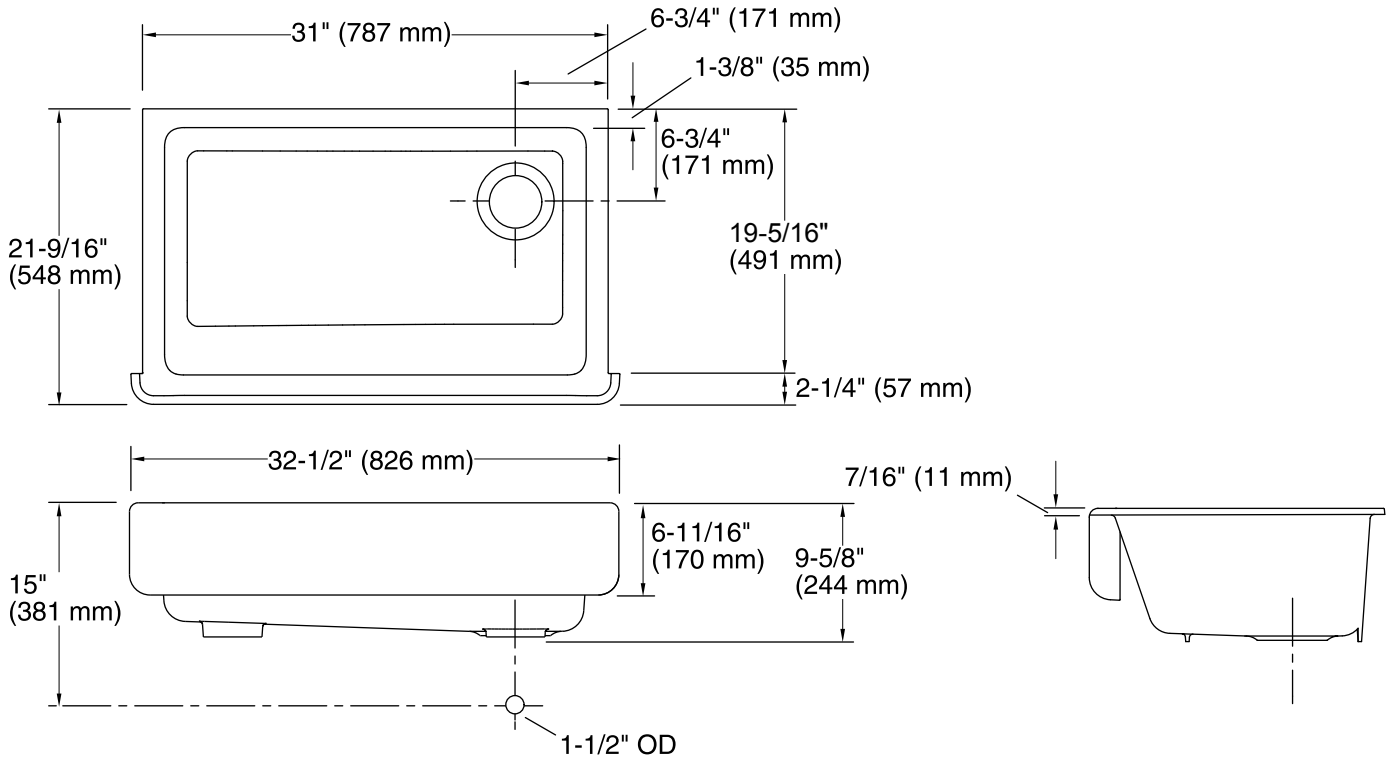


Codes/Standards

ASME A112.19.1/CSA B45.2

Kohler Enameled Cast Iron Kitchen Sink - Lifetime Limited Warranty

See website for detailed warranty information.



Technical Information

All product dimensions are nominal.

Bowl configuration:	Single
Installation:	Under-mount
Min. base cabinet width:	33" (838 mm)
Bowl area	Length: 27-3/4" (705 mm) Width: 18-1/16" (459 mm) Bowl depth: 9-5/8" (244 mm) Water depth: 9" (229 mm)
Drain hole:	3-5/8" (92 mm)
Template:	Apron Front, 1214395-7, not required, not included Apron Front, 1214396-7, not required, not included

Notes

Install this product according to the installation guide.

NOTICE: Countertop manufacturer or cutter must use the current product template available at www.kohler.com, or by calling 1-800-4KOHLER. Kohler Co. is not responsible for cutout errors when the incorrect cutout template is used.

IMPORTANT! The distance from the top edge of the cabinet to the top of the cabinet door must be at least 6-7/8" (175 mm) to install this sink.