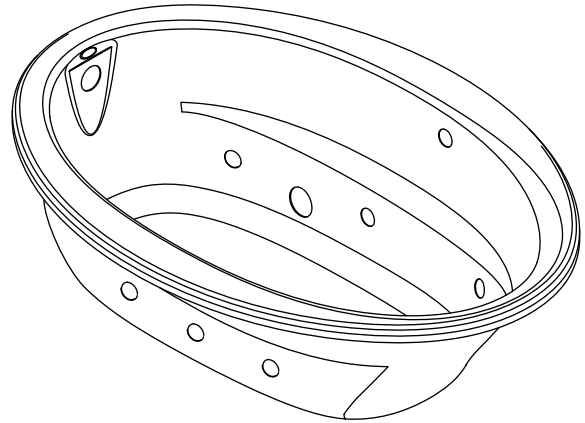


BATH WHIRLPOOL K-1164-S1

Features

- ExoCrylic™
- Drop-in
- Oval shape
- 6 individually adjustable ProFlex® hydro-massage jets
- Pump with air switch and grounding-type plug-in cord
- Molded lumbar supports and armrests
- Optional K-1491 removable bath pillow
- Optional K-1601 removable footstop
- Optional K-9696 whirlpool trim kit in various finishes
- 72" (1829 mm) x 42" (1067 mm) x 20" (508 mm)



Codes/Standards Applicable

Specified model meets or exceeds the following:

- ASME A112.19.7/CSA B45.10
- UL 1795
- CSA B45.5/IAPMO Z124

Colors/Finishes

- 0: White
- Other: Refer to Price Book for additional colors/finishes

Accessories

- 0: White
- CP: Polished Chrome
- PB: Vibrant® Polished Brass
- NA: None applicable
- Other: Refer to Price Book for additional colors/finishes

Specified Model

Model	Description	Colors/Finishes	
K-1164-S1	Bath whirlpool	<input type="checkbox"/> 0	<input type="checkbox"/> Other_____
Recommended Accessories			
K-11677	Swiftflo™ adjustable trip lever drain	<input type="checkbox"/> CP	<input type="checkbox"/> PB
Optional Accessories			
K-576	Under-mount kit		<input type="checkbox"/> NA
K-1491	Pillow	<input type="checkbox"/> 0	<input type="checkbox"/> Other_____
K-1601	Footstop	<input type="checkbox"/> 0	<input type="checkbox"/> Other_____
K-9696	Jet trim kit (metal finishes)	<input type="checkbox"/> 0	<input type="checkbox"/> CP <input type="checkbox"/> Other_____

Product Specification

The drop-in oval shaped bath whirlpool shall be made of ExoCrylic. Bath whirlpool shall be 72" (1829 mm) in length, 42" (1067 mm) in width, and 20" (508 mm) in height. Bath whirlpool shall have 6 individually adjustable ProFlex hydro-massage jets, a pump with air switch and grounding type plug-in cord. Bath whirlpool shall have molded lumbar supports and armrests. Bath whirlpool shall be Kohler Model K-1164-S1-_____.

SUNWARD®

Technical Information

Fixture*:	
Bathing well:	
Basin area, bottom	55-1/4" (1403 mm) x 23-1/2" (597 mm)
Basin area, top	64-1/2" (1638 mm) x 32" (813 mm)
Weight	110 lbs (50 kg)
To overflow:	
Water depth	15" (381 mm)
Capacity	75 gal (284 L)
* Approximate measurements for comparison only.	

Pump:	V	Hz	A
1-speed	120	60	7.5

Included components:	
Cut-out template	1042557-7

Required Electrical Service

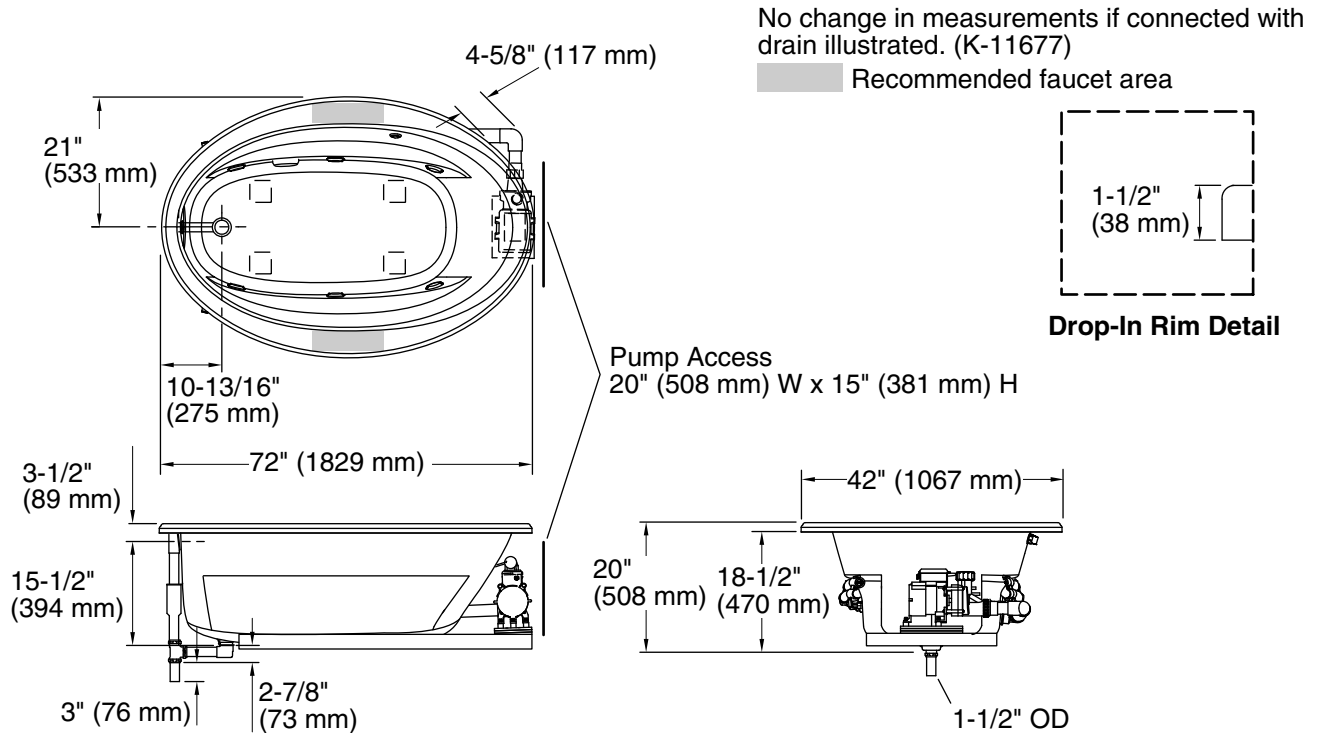
Dedicated circuit required, protected with Class A Ground-Fault Circuit-Interrupter (GFCI):	
Pump	120 V, 15 A, 60 Hz
Locate the outlet behind the whirlpool and within 24" (610 mm) of the pump.	

Installation Notes

Install this product according to the installation guide.

Floor support under whirlpool must provide for a minimum of 36 lbs/square foot (176.9 kg/square meter) loading.

The suction line extends 4-5/8" (117 mm) beyond the edge of the rim. The pump base extends 1/8" (3 mm) beyond the edge of the rim. Modify the framing as needed.



Product Diagram