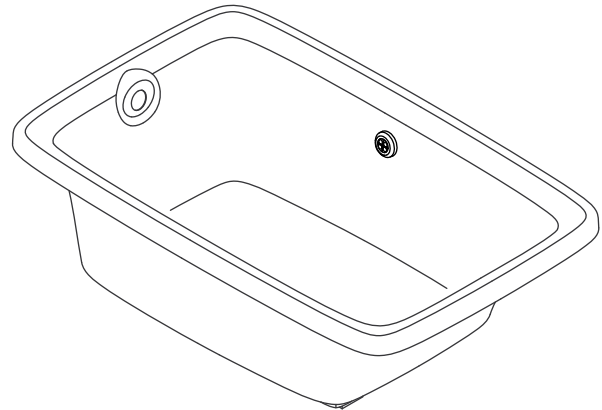


Features

- Acrylic
- Drop-in installation
- Bask heated lumbar support with three temperature settings
- 65-7/8" (1673 mm) x 41-3/4" (1060 mm) x 22" (559 mm)

DROP-IN BATH WITH BASK™ HEATED SURFACE K-1156-W1



Codes/Standards Applicable

Specified model meets or exceeds the following:

- CSA B45.5/IAPMO Z124
- ASTM E162
- ASTM E662
- UL 1795

Colors/Finishes

- 0: White
- Other: Refer to Price Book for additional colors/finishes

Accessories

- CP: Polished Chrome
- PB: Vibrant® Polished Brass
- Other: Refer to Price Book for additional colors/finishes

Specified Model

Model	Description	Colors/Finishes		
K-1156-W1	Drop-in bath with Bask heated surface	<input type="checkbox"/> 0	<input type="checkbox"/> Other_____	
Recommended Accessories				
K-7161-AF	Bath drain OR	<input type="checkbox"/> CP	<input type="checkbox"/> PB	<input type="checkbox"/> Other_____
K-7265	Toe-tap bath drain	<input type="checkbox"/> CP		<input type="checkbox"/> Other_____
Optional Accessories				
K-1491	Bath Pillow	<input type="checkbox"/> 0	<input type="checkbox"/> Other_____	
K-1601	Bath Footstop	<input type="checkbox"/> 0	<input type="checkbox"/> Other_____	

Product Specification

The acrylic bath shall be 65-7/8" (1673 mm) in length, 41-3/4" (1060 mm) in width, and 22" (559 mm) in height. Bath shall be for drop-in installation. Bath shall feature Bask heated lumbar support with three temperature settings. Bath shall be Kohler Model K-1156-W1-_____.

BANCROFT™

Technical Information

Fixture*:				
Bathing well:				
Basin area, bottom	46" (1168 mm) x 30" (762 mm)			
Basin area, top	57" (1448 mm) x 34" (864 mm)			
Weight	80 lbs (36.3 kg)			
To overflow:				
Water depth	16" (406 mm)			
Capacity	95 gal (359.6 L)			
* Approximate measurements for comparison only.				
Heater:	W	V	HZ	A
	65	120	60	1.1

Installation Notes

Install this product according to the installation guide.

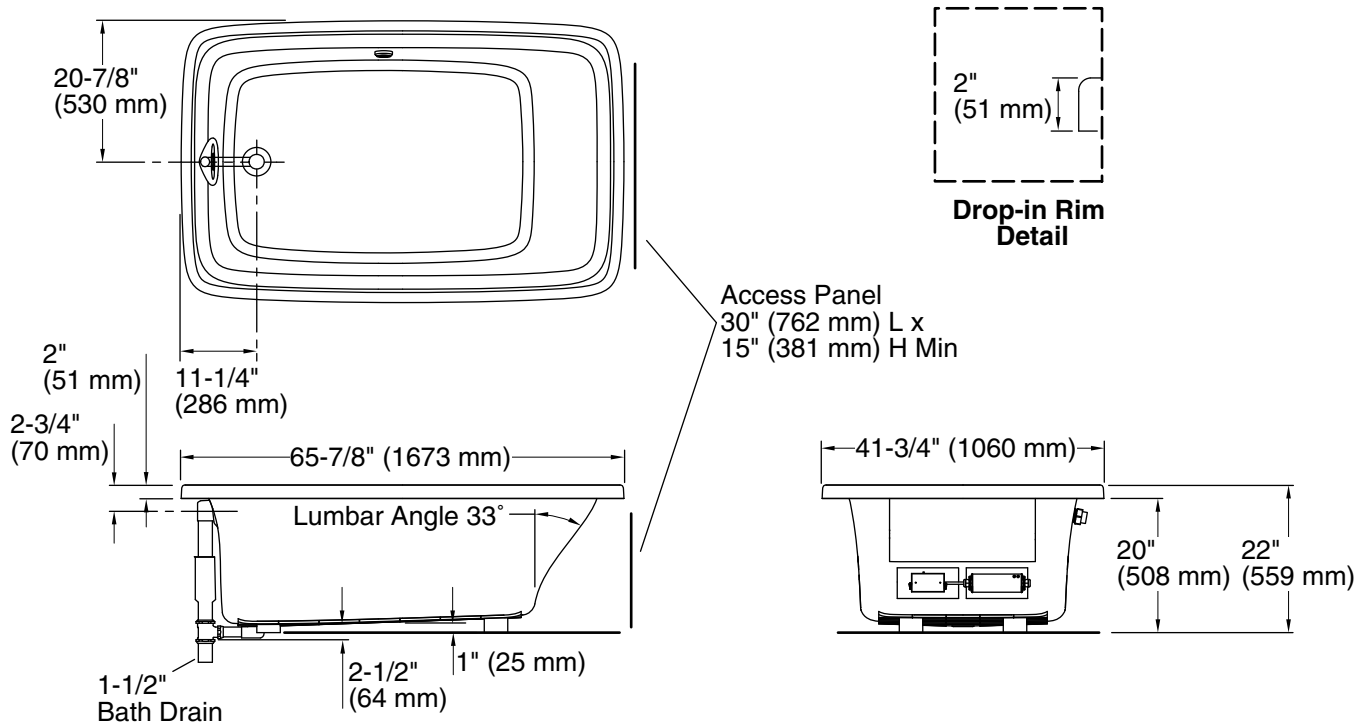
Locate a GFCI-protected 120 V, 15 A, grounded electrical outlet within 24" (610 mm) of the bath junction box.

40" (1016 mm) cable is included.

Floor support under bath must provide for a minimum of 47 lbs/square foot (230 kg/square meter).

This bath is designed for drop-in installation only. It is not suited for use in a three-wall alcove with an overhead shower.

No change in measurements if connected with drain illustrated. (K-7161-AF)



Product Diagram