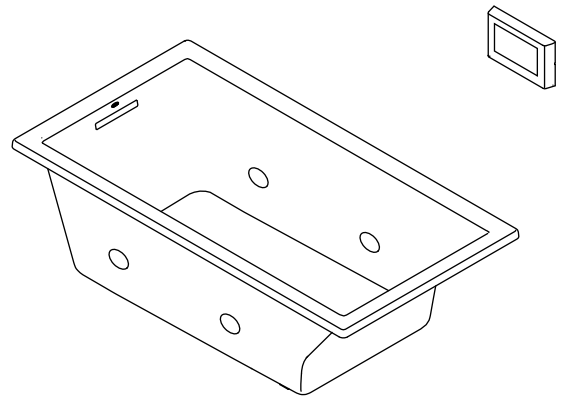


Features

- Acrylic
- Intuitive high-clarity color touch-screen user interface
- 6 transducers and control amplifier create 3-D surround sound experience
- Under-mount/drop-in style installation
- 17-1/8" (435 mm) deep bathing well
- Available with chromatherapy [-VBC]
- Chromatherapy model is equipped with 4 lights
- User interface mounting plate is included in color CP
- 60" (1524 mm) x 32" (813 mm) x 21" (533 mm)

5' VIBRACOUSTIC BATH K-1168-VB ALSO K-1168-VBC



Codes/Standards Applicable

Specified model meets or exceeds the following:

- CSA B45.5/IAPMO Z124
- UL 1795
- CAN/CSA C22.2 No. 218.2

Colors/Finishes

- 0: White
- CP: Polished Chrome
- BN: Brushed Nickel
- NA: None applicable
- Other: Refer to Price Book for additional colors/finishes

Specified Model

Model	Description	Colors/Finishes	
K-1168-VB	5' VibrAcoustic bath	<input type="checkbox"/> 0	<input type="checkbox"/> Other_____
K-1168-VBC	5' VibrAcoustic bath with chromatherapy (shown)	<input type="checkbox"/> 0	<input type="checkbox"/> Other_____

Required Accessories			
K-7271	Clearflo slotted overflow brass bath drain OR	<input type="checkbox"/> CP	<input type="checkbox"/> Other_____
K-7272	Clearflo slotted overflow bath drain – PVC pipe	<input type="checkbox"/> CP	<input type="checkbox"/> Other_____

Optional Accessories			
K-590	Under-mount kit		<input type="checkbox"/> NA
K-1491	Pillow	<input type="checkbox"/> 0	<input type="checkbox"/> Other_____
K-1601	Footstop	<input type="checkbox"/> 0	<input type="checkbox"/> Other_____
1172315	VibrAcoustic interface mounting plate		<input type="checkbox"/> BN

Product Specification

The acrylic vibracoustic bath shall be 60" (1524 mm) in length, 32" (813 mm) in width, and 21" (533 mm) in height. Bath shall feature intuitive high-clarity color touch-screen user interface and 6 transducers and control amplifier, which create 3-D surround sound experience. Bath shall be available with chromatherapy [-VBC], which is equipped with 4 lights. Bath shall be available with under-mount or drop-in style installation. Bath shall have a 17-1/8" (435 mm) deep bathing well. The user interface mounting plate shall be included in color CP. Bath shall be Kohler Model K-1168-____-____.

UNDERSCORE®

Technical Information

Fixture*:	
Bathing well:	
Basin area, bottom	42" (1067 mm) x 23-1/2" (597 mm)
Basin area, top	55-1/8" (1400 mm) x 27-1/8" (689 mm)
Weight	80 lbs (36.3 kg)
To overflow:	
Water depth	17-1/8" (435 mm)
Capacity	81 gal (306.6 L)
* Approximate measurements for comparison only.	
Drop-in cut-out	59-1/2" (1511 mm) x 31-1/2" (800 mm)
Amplifier/control:	Power per channel (rms) W V Hz
	15 120 50/60

Required Electrical Service

Dedicated circuit required, protected with Class A Ground-Fault Circuit-Interrupter (GFCI) or Residual Current Device (RCD):

Amplifier/control: 120 V, 15 A, 50/60 Hz

Installation Notes

Install this product according to the installation guide.

The bath is intended for under-mount/drop-in installation.

Control amplifier fits 16" (406 mm) center studs.

A grounded outlet within the wall framing must be within 24" (610 mm) of the planned control amplifier.

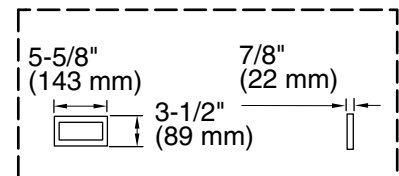
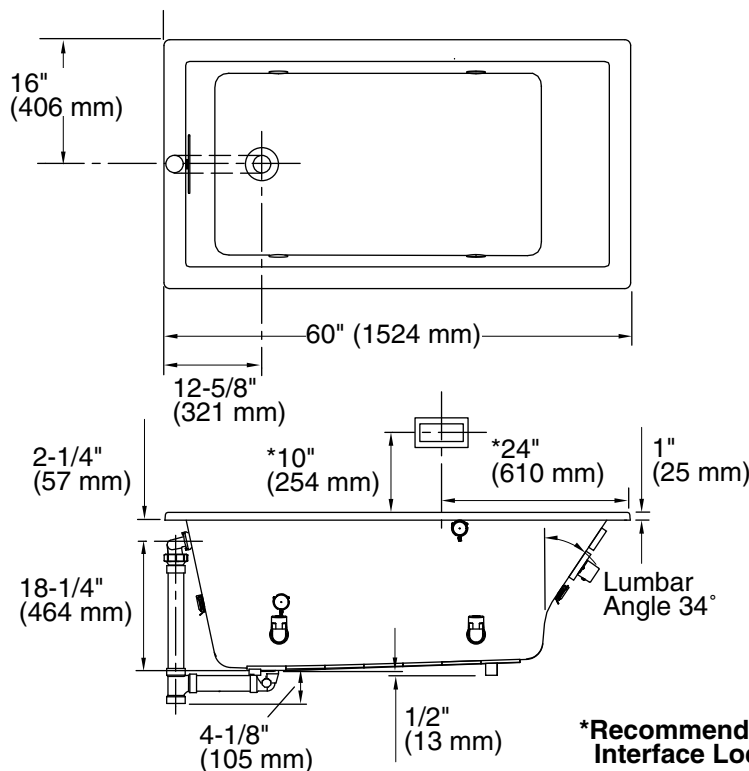
Cables are included, 25' (7.6 m) each.

Hot water supply should be 70% of capacity or greater. Installations will vary.

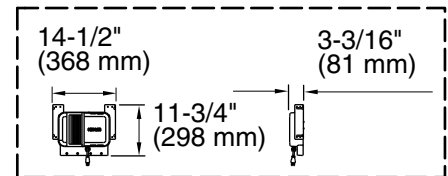
Floor support under bath must provide for a minimum of 58.6 lbs/square foot (286 kg/square meter) loading.

Ensure that the bath, user interface, amplifier, and transducers are functional before completing the installation.

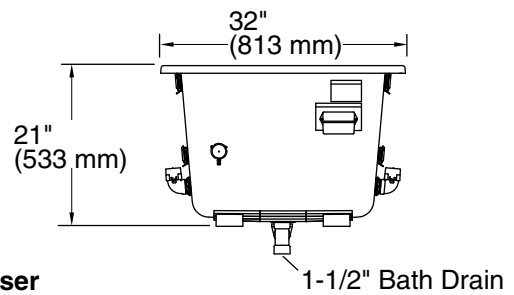
No change in measurement if connected with drain illustrated. (K-7272)



User Interface



Control Amplifier



Product Diagram