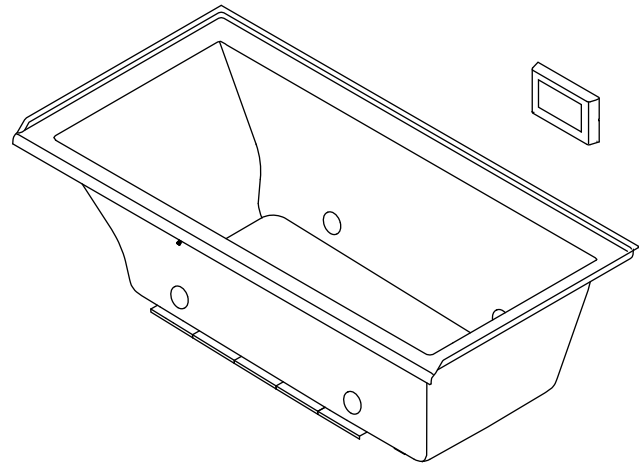


Features

- Acrylic
- Intuitive high-clarity color touch-screen user interface
- 6 transducers and control amplifier create 3-D surround sound experience
- Integral 3-sided tiling flange for alcove installation
- 15-1/8" (384 mm) deep bathing well
- Available with chromatherapy [-VBC]
- Chromatherapy models are equipped with 4 lights
- User interface mounting plate is included in color CP
- 60" (1524 mm) x 30" (762 mm) x 19" (483 mm)

5' VIBRACOUSTIC BATH K-1167-LVB ALSO K-1167-LVBC, K-1167-RVB, K-1167-RVBC

ADA



Codes/Standards Applicable

Specified model meets or exceeds the following:

- ADA
- ICC/ANSI A117.1
- ASME A112.19.7
- CSA B45.5/IAPMO Z124
- UL 1795
- CAN/CSA C22.2 No. 218.2

Colors/Finishes

- 0: White
- Other: Refer to Price Book for additional colors/finishes

Specified Model

Model	Description	Colors/Finishes	
K-1167-LVB	5' VibrAcoustic bath – without chromatherapy, left drain	<input type="checkbox"/> 0	<input type="checkbox"/> Other _____
K-1167-LVBC	5' VibrAcoustic bath – with chromatherapy, left drain	<input type="checkbox"/> 0	<input type="checkbox"/> Other _____
K-1167-RVB	5' VibrAcoustic bath – without chromatherapy, right drain	<input type="checkbox"/> 0	<input type="checkbox"/> Other _____
K-1167-RVBC	5' VibrAcoustic bath – with chromatherapy, right drain (shown)	<input type="checkbox"/> 0	<input type="checkbox"/> Other _____

Required Accessories

K-7271	Clearflo slotted overflow brass bath drain OR	<input type="checkbox"/> CP	<input type="checkbox"/> Other _____
K-7272	Clearflo slotted overflow bath drain – PVC pipe	<input type="checkbox"/> CP	<input type="checkbox"/> Other _____

Optional Accessories

K-1491	Pillow	<input type="checkbox"/> 0	<input type="checkbox"/> Other _____
K-1601	Footstop	<input type="checkbox"/> 0	<input type="checkbox"/> Other _____
1172315	Vibracoustic interface mounting plate	<input type="checkbox"/> BN	

Product Specification

The acrylic vibracoustic bath shall be 60" (1524 mm) in length, 30" (762 mm) in width, and 19" (483 mm) in height. Bath shall feature intuitive high-clarity color touch-screen user interface and 6 transducers and control amplifier, which create 3-D surround sound experience. Bath shall be available with chromatherapy [-VBC], which are equipped with 4 lights. Bath shall feature integral 3-sided tiling flange for alcove installation. Bath shall have a 15-1/8" (384 mm) deep bathing well. The user interface mounting plate shall be included in color CP. Bath shall be Kohler Model K-1167-____-____.

UNDERScore®

Technical Information

Fixture*:	
Bathing well:	
Basin area, bottom	42-7/16" (1078 mm) x 20" (508 mm)
Basin area, top	54-5/16" (1380 mm) x 24-1/4" (616 mm)
Weight	80 lbs (36.3 kg)
To overflow:	
Water depth	15-1/8" (384 mm)
Capacity	59.8 gal (226 L)
* Approximate measurements for comparison only.	

Amplifier/control:	Power per channel (rms) W	V	Hz
	15	120	50/60

Required Electrical Service

Dedicated circuit required, protected with Class A Ground-Fault Circuit-Interrupter (GFCI) or Residual Current Device (RCD):

Amplifier/control	120 V, 15 A, 50/60 Hz
-------------------	-----------------------

Installation Notes

Install this product according to the installation guide.

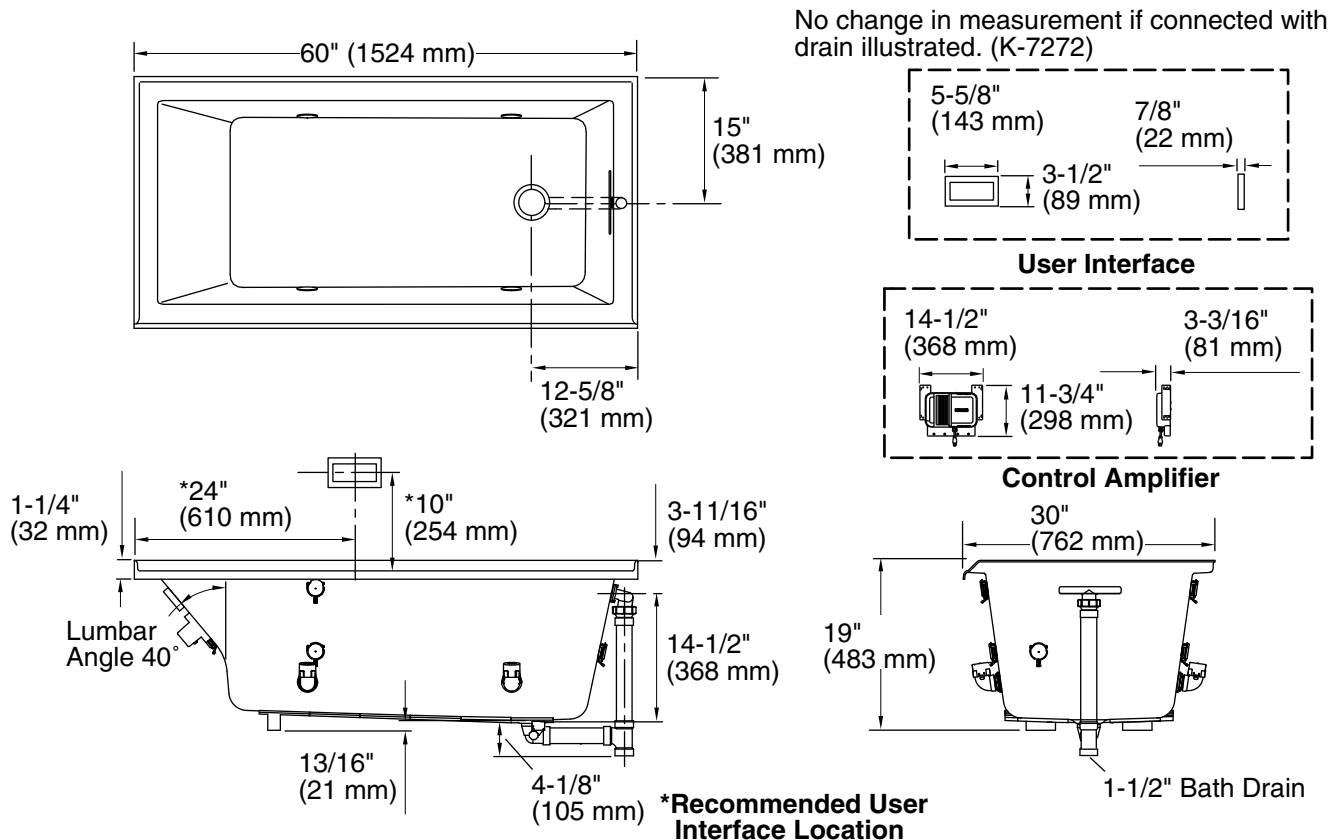
Will comply with **ADA** when installed per Section 607 Bathtubs of the Act.

Control amplifier fits 16" (406 mm) center studs. 25' (7.6 m) cables are included.

A grounded outlet within the wall framing must be within 24" (610 mm) of the planned control amplifier.

Floor support under bath must provide for a minimum of 50 lbs/square foot (242 kg/square meter) loading.

Ensure that the bath, user interface, amplifier, and transducers are functional before completing the installation.



Product Diagram