

**PRESSURE-BALANCING VALVE  
K-304-K**

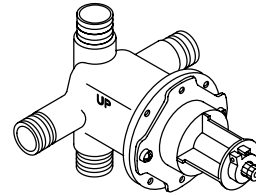
**FEATURES**

- Brass valve body
- Rite-Temp pressure-balancing diaphragm design valve
- High-temperature limit stop
- Pressure-balancing mechanism of one-piece diaphragm cartridge design for ease of maintenance
- Mixing valve cycles from “cold” to “hot”
- Available with or without screwdriver stops
- Available with female stops for CPVC

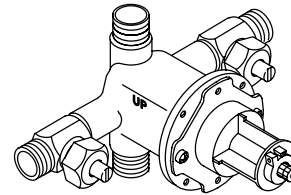
**CODES/STANDARDS APPLICABLE**

Specified model meets or exceeds the following:

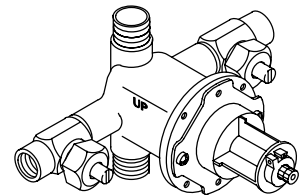
- ASME/ANSI A112.18.1M
- ANSI/ASSE 1016
- CSA International B125
- IAPMO/UPC



K-304-K



K-304-KS



K-304-KP

**COLORS/FINISHES**

- NA Not applicable

**SPECIFIED MODEL:**

Model	Description	
K-304-K	Less Screwdriver Stops	<input type="checkbox"/> NA
K-304-KS	With Screwdriver Stops	<input type="checkbox"/> NA
K-304-KP	With Screwdriver Stops For CPVC	<input type="checkbox"/> NA

**PRODUCT SPECIFICATION:**

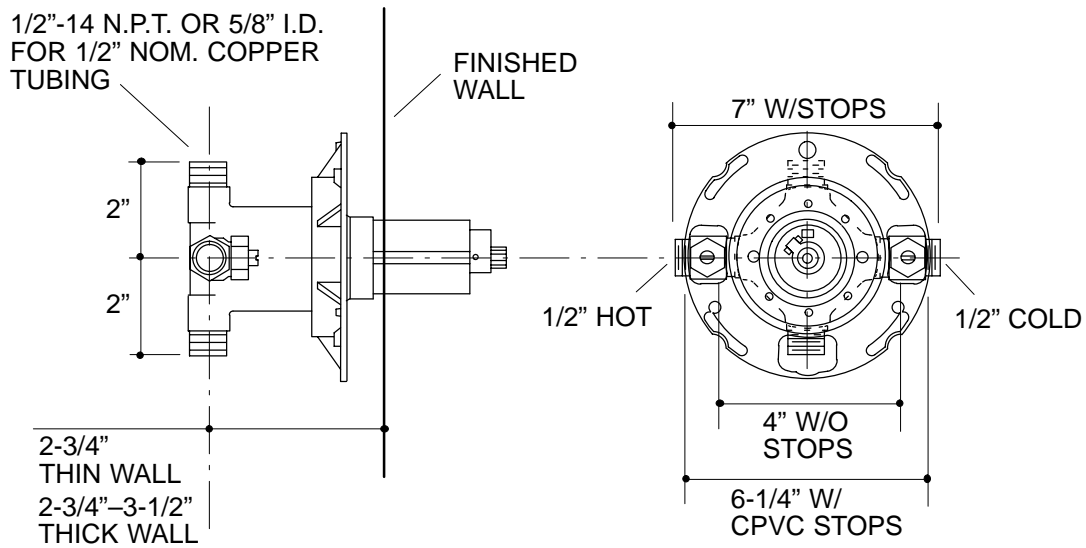
Rite-Temp pressure-balancing single-control valve shall feature a brass valve body. The valve shall mix the water from the “off” position, through the “cold” to the “hot”, and includes a high-temperature limit stop. The pressure-balancing mechanism shall be of one-piece diaphragm cartridge design for ease of maintenance. Optional feature shall be with or without screwdriver stops or female stops for CPVC. Rite-Temp valve shall be Kohler Model K-304-\_\_\_\_\_-NA.

## INSTALLATION NOTES

Avoid cross-flow conditions. Do not install shut-off device on either valve outlet.

Cap shower outlet if deck-mount spout, diverter, or handshower is connected to spout outlet.

Install straight pipe or tube drop of 7 to 18" with single elbow between valve and wall-mount spout.



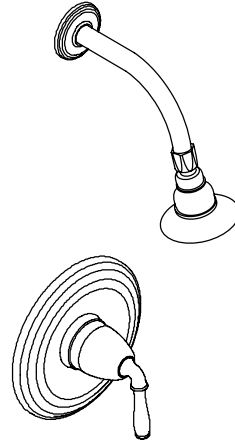
## PRODUCT DIAGRAM

**Features**

- Metal construction
- Brass valve bodies
- Rite-Temp pressure-balancing diaphragm design valve
- High-temperature limit stop for added safety
- Pressure-balancing mechanism of one-piece diaphragm cartridge design for ease of maintenance
- Mixing valve cycles from "cold" to "hot"
- Lever handle(s)
- Intended for use with Rite-Temp or HiFlow Rite-Temp valves

**PRESSURE-BALANCING  
BATH/SHOWER VALVE TRIM  
K-T396  
ALSO K-T397**

**ADA**



**Codes/Standards Applicable**

Specified model meets or exceeds the following:

- ASME A112.18.1
- ASSE 1016
- CSA B125
- IAPMO/UPC

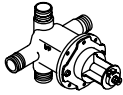
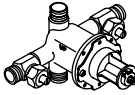
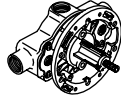
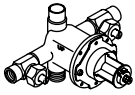
**Colors/Finishes**

- CP: Polished Chrome
- Other: Refer to Price Book for additional colors/finishes

**Specified Model**

Separate Trim and Rite-Temp Valve: For complete valve, both valve trim and Rite-Temp valve must be specified.				
Model	Description	Colors/Finishes		
K-T396-4	Shower and valve trim, without spout	<input type="checkbox"/> CP	<input type="checkbox"/> PB	<input type="checkbox"/> Other ____
K-T397-4	Valve trim only, without spout	<input type="checkbox"/> CP	<input type="checkbox"/> PB	<input type="checkbox"/> Other ____

Required Accessory					
K-304-K	Rite-Temp valve without stops, NPT connections	<input type="checkbox"/> NA			
K-304-KS	Rite-Temp valve with stops, NPT connections		<input type="checkbox"/> NA		
K-306-KS	HiFlow Rite-Temp valve with integral stops, NPT connections			<input type="checkbox"/> NA	
K-304-KP	Rite-Temp valve with PVC connections				<input type="checkbox"/> NA

**Product Specification**

Rite-Temp pressure-balancing single-control bath and shower valve shall be of metal construction. Valve shall feature a brass valve body. The valve shall mix the water from the "off" position, though the "cold" to the "hot", and includes a high-temperature limit stop. The pressure-balancing mechanism shall be of one-piece diaphragm cartridge design for ease of maintenance. Shower only valve shall include showerhead with arm and flange, and faceplate with handle. Valve only trim shall include faceplate with handle. Separate trim and valve shall be Kohler Model K-T\_\_\_\_-\_\_\_\_-\_\_\_\_ with K-304-\_\_\_\_-NA Rite-Temp valve OR K-306-KS-NA HiFlow Rite-Temp valve.

# DEVONSHIRE™ RITE-TEMP™

## Technical Information

Optional Accessories	
5-1/4" (13.3 cm) diverter spout with 1/2" NPT connections, in matching colors	K-373
5-1/4" (13.3 cm) diverter spout with slip-fit connection, in matching colors	K-373-S
5-1/4" (13.3 cm) diverter spout with 1/2" NPT connections, in matching colors	K-389
5-1/4" (13.3 cm) diverter spout with slip-fit connection, in matching colors	K-389-S
HiFlow Rite-Temp thin wall installation kit*	88526
* Required when using the K-306-KS valve in a fiberglass or acrylic installation.	

## Installation Notes



**WARNING: Risk of damage to the K-306-KS valve assembly.** When using the K-306-KS valve in a fiberglass or acrylic installation, use the thin wall installation kit (88526).

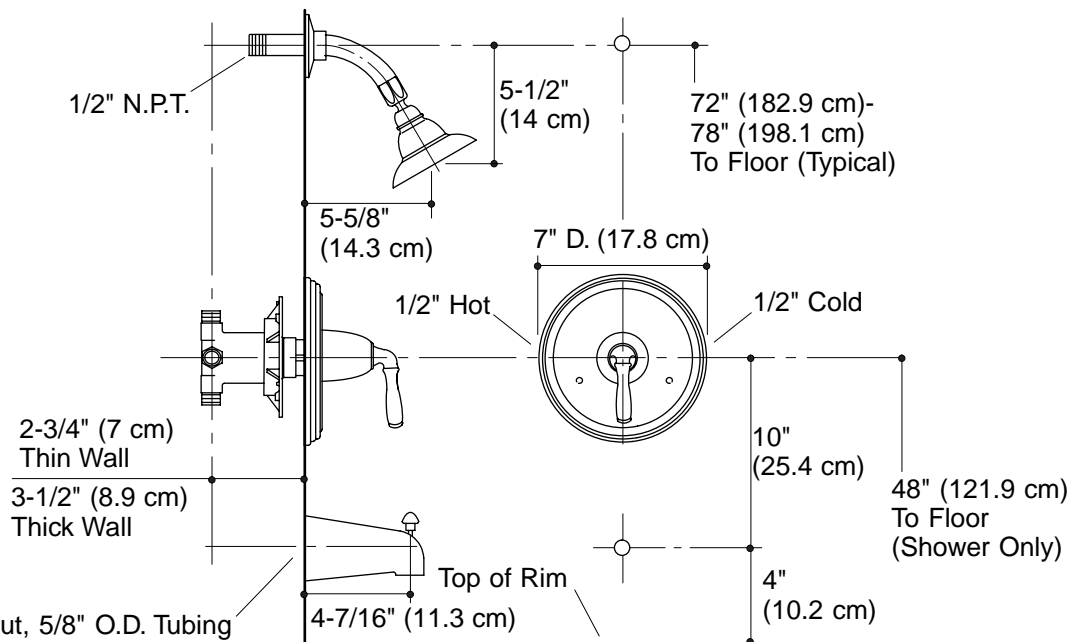
Install this product according to the installation guide.

Install the Rite-Temp valve according to the valve installation guide.

Avoid cross-flow conditions. Do not install shut-off device on either valve outlet.

Cap shower outlet if deck-mounted spout, diverter, or handshower is connected to the spout outlet.

Install straight pipe or tube drop of 7" (17.8 cm) to 18" (45.7 cm) with single elbow between valve and wall-mount spout, if used.



For Slip-Fit Spout, 5/8" O.D. Tubing Must Extend 1-1/2" (3.8 cm) Min.; 2-7/8" (7.3 cm) Max. Beyond Finished Wall.

Complete Bath and Shower Faucet with Rite-Temp Valve and Slip-Fit Diverter Spout Shown.

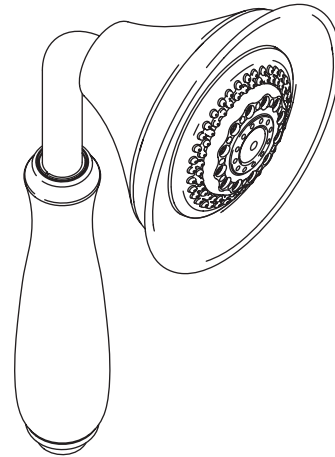
## Product Diagram

**Features**

- Adjustable oversized sprayface
- MasterClean™ sprayface resists hard water buildup and is easy to clean
- Ergonomic sprayhead pivots for targeted hydromassage or for rinsing the shower enclosure
- Complements Forte® faucet line
- 2.5 gallon (9.5 L) per minute flow rate [K-10286]
- Full-coverage, therapeutic massage, soft-aerated spray, and ADA compliant water-saving eco spray options [K-10286]
- Ecoefficient™ 1.75 gallon (6.6 L) per minute flow rate [K-10298]
- Wide-coverage, medium-coverage, and forceful utility spray options [K-10298]

**MULTI-FUNCTION HANDSHOWER**  
**K-10286**  
**ALSO K-10298**

ADA



**Codes/Standards Applicable**

Specified model meets or exceeds the following:

- ASME 112.18.1/CSA B125
- IAPMO/UPC
- CSA International
- ADA [K-10286 only]

**Colors/Finishes**

- CP: Polished Chrome
- Other: Refer to Price Book for additional colors/finishes

**Accessories**

- CP: Polished Chrome

**Specified Model**

Model	Description	Colors/Finishes	
K-10286	Handshower – 2.5 gallon (9.5 L) per minute flow rate	<input type="checkbox"/> CP	<input type="checkbox"/> Other ____
K-10298	Handshower – Ecoefficient 1.75 gallon (6.6 L) per minute flow rate	<input type="checkbox"/> CP	<input type="checkbox"/> Other ____
Required Accessory			
K-8593	72" (182.9 cm) metal shower hose <b>OR</b>	U	<input type="checkbox"/> CP
K-9514	60" (152.4 cm) metal shower hose		<input type="checkbox"/> CP

**Product Specification**

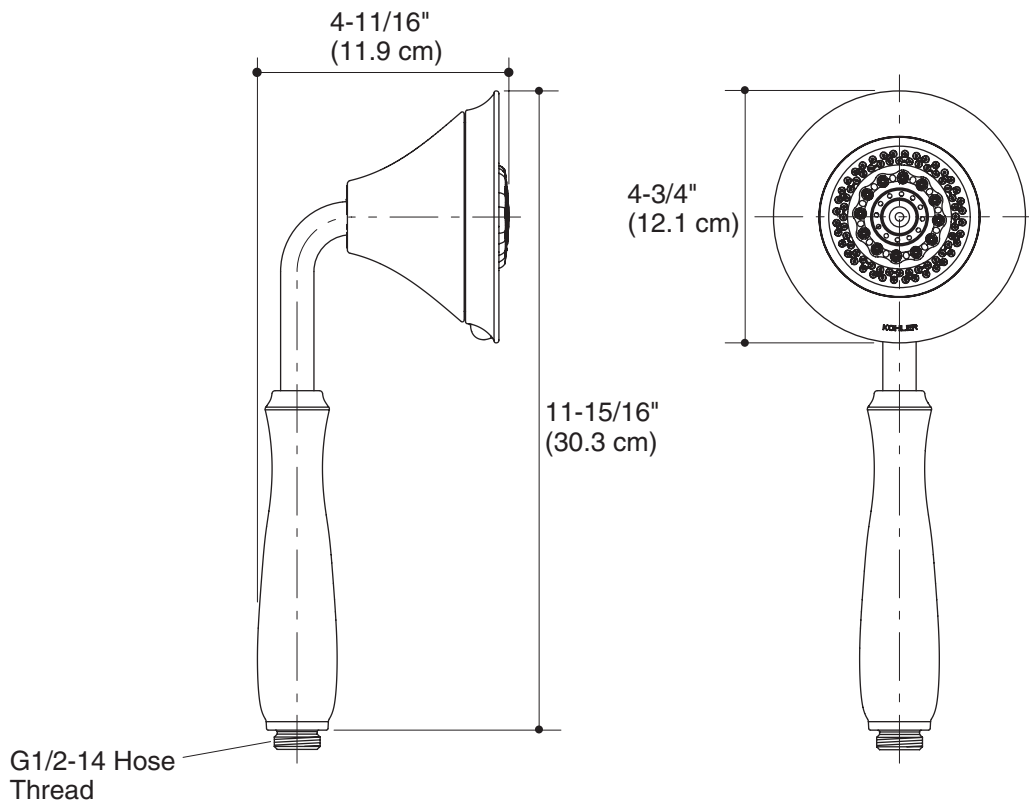
Multi-function handshower shall feature an adjustable oversized sprayface. Product shall feature a Masterclean sprayface which resists hard water buildup and is easy to clean. Product shall feature an ergonomic sprayhead which pivots for targeted hydromassage or for rinsing the shower enclosure. Product shall be available with a 2.5 gallon (9.5 L) per minute flow rate [K-10286] or Ecoefficient 1.75 gallon (6.6 L) per minute flow rate [K-10298]. Product shall feature full-coverage, therapeutic massage, soft-aerated spray, and ADA compliant water-saving eco spray options [K-10286] or wide-coverage, medium-coverage, and forceful utility spray options [K-10298]. Handshower shall complement the Forté faucet line. Product shall be Kohler Model K-\_\_\_\_-\_\_\_\_.

# FORTÉ®

## Installation Notes

Install this product according to the installation guide.

Plumbing codes require an atmospheric vacuum breaker (such as Kohler Model K-9660) be installed in line with handshowers. Please consult with local plumbing officials.



## Product Diagram

**Features**

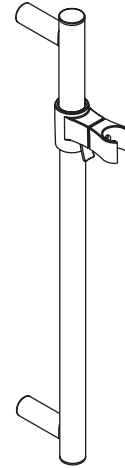
- Metal construction

**Codes/Standards Applicable**

Specified model meets or exceeds the following:

- None applicable

**SLIDE BAR**  
**K-8524**  
**ALSO K-9069**



**Colors/Finishes**

- CP: Polished Chrome
- Other: Refer to Price Book for additional colors/finishes

**Specified Model**

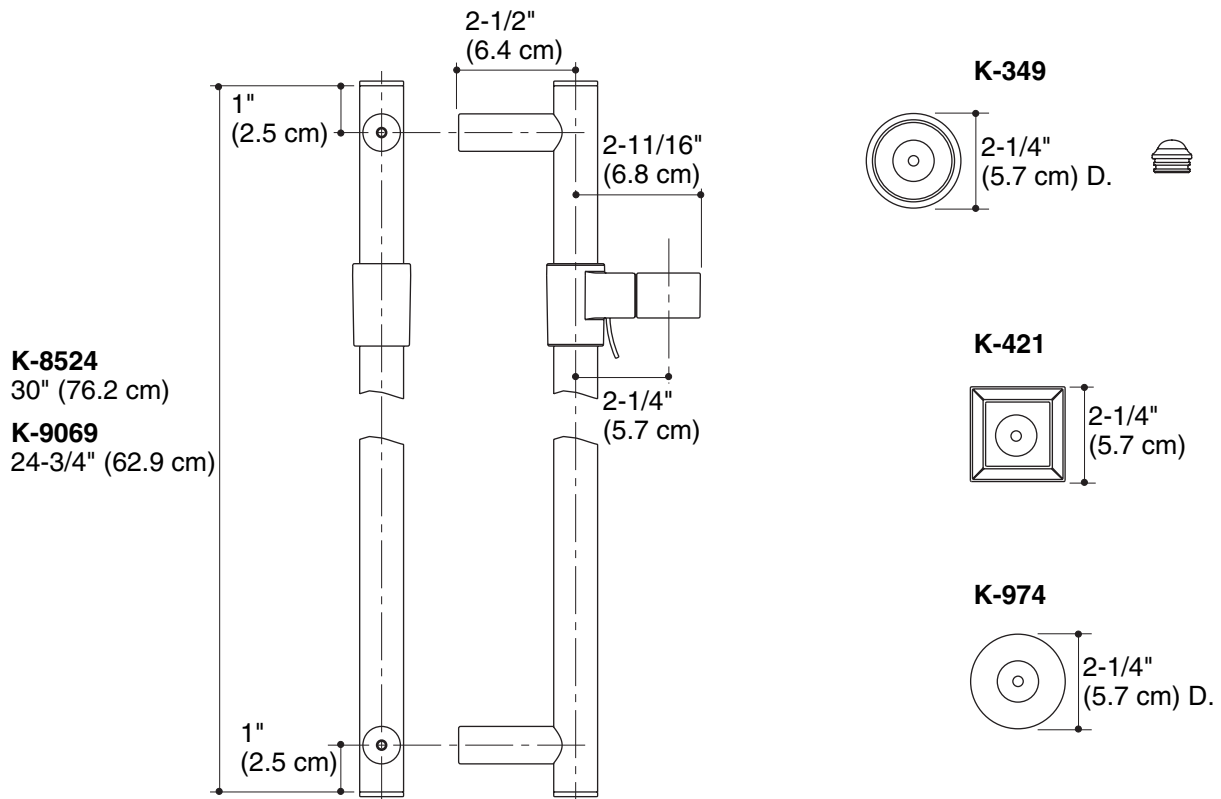
Model	Description	Colors/Finishes	
K-8524	Slide bar - 30" (76.2 cm)	<input type="checkbox"/> CP	<input type="checkbox"/> Other ____
K-9069	Slide bar - 24-3/4" (62.9 cm)	<input type="checkbox"/> CP	<input type="checkbox"/> Other ____
<b>Optional Accessories</b>			
K-349	Forté <sup>®</sup> /Bancroft <sup>™</sup> slide bar trim	<input type="checkbox"/> CP	<input type="checkbox"/> Other ____
K-421	Memoirs <sup>®</sup> slide bar trim	<input type="checkbox"/> CP	<input type="checkbox"/> Other ____
K-974	Stillness <sup>®</sup> slide bar trim	<input type="checkbox"/> CP	<input type="checkbox"/> Other ____

**Product Specification**

Slide bar shall be of metal construction. Product shall be Kohler Model K-\_\_\_\_-\_\_\_\_.

## Installation Notes

Install this product according to the installation guide.



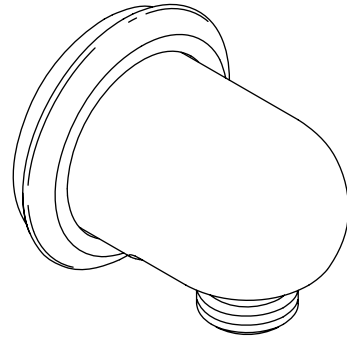
Product Diagram



### Features

- Brass construction

### WALL-MOUNT SUPPLY ELBOW K-355



### Colors/Finishes

- CP: Polished Chrome
- Other: Refer to Price Book for additional colors/finishes

### Specified Model

Model	Description	Colors/Finishes	
K-355	Wall-mount supply elbow	<input type="checkbox"/> CP	<input type="checkbox"/> Other_____

### Product Specification:

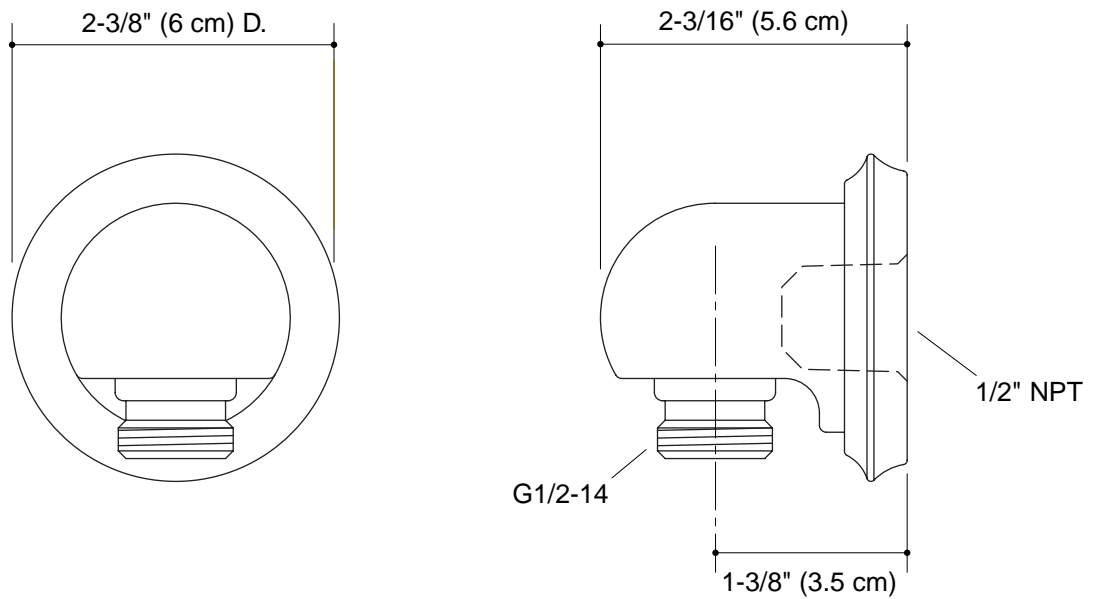
Supply elbow shall be of brass construction. Product is intended for wall-mount installations. Supply elbow shall be Kohler Model K-355-\_\_\_\_\_.

## Technical Information

Applicable product:	
Wall-mount supply elbow	K-355

## Installation Notes

Install this product according to the installation guide.



## Product Diagram

**TRANSFER VALVE TRIM  
K-T376**

ADA

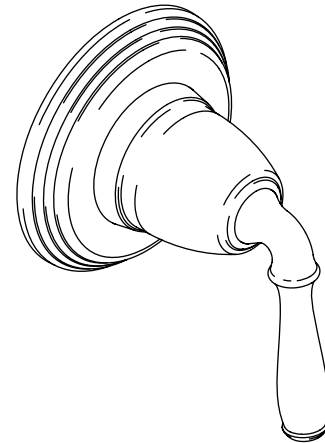
**Features**

- Brass construction
- Available with lever handle
- Front seal plate assembly
- Handle assembly
- Complements Devonshire® Suite

**Codes/Standards Applicable**

Specified model meets or exceeds the following:

- ADA
- ASME A112.18.1/CSA B125.1
- ICC/ANSI A117.1



**Colors/Finishes**

- CP: Polished Chrome
- PB: Vibrant® Polished Brass
- Other: Refer to Price Book for additional colors/finishes
- NA: None applicable

**Specified Model**

For complete valve, both faucet trim and valving must be specified.			
Model	Description	Colors/Finishes	
K-T376-4	Transfer valve trim	<input type="checkbox"/> CP	<input type="checkbox"/> PB <input type="checkbox"/> Other ____
Required Accessories			
K-728-K	3/4" Transfer valve	<input type="checkbox"/> NA	

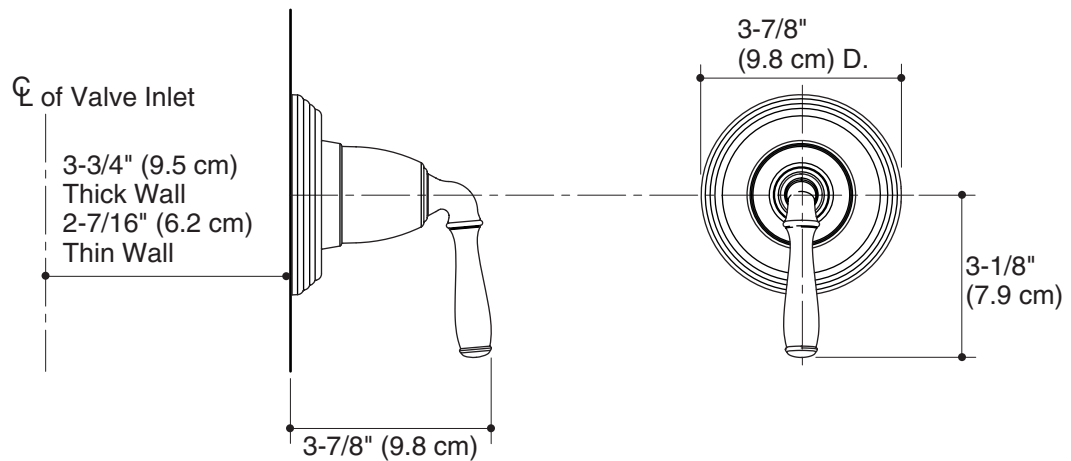
**Product Specification**

Thermostatic faucet trim shall be of brass construction. Trim shall include from seal plate assembly and handle assembly. Trim shall complement the Devonshire® suite. Transfer valve trim shall be Kohler Model K-T376-4-\_\_\_\_ and transfer valve shall be K-672-K-NA.

# DEVONSHIRE®

## Installation Notes

Install this product according to the installation guide.



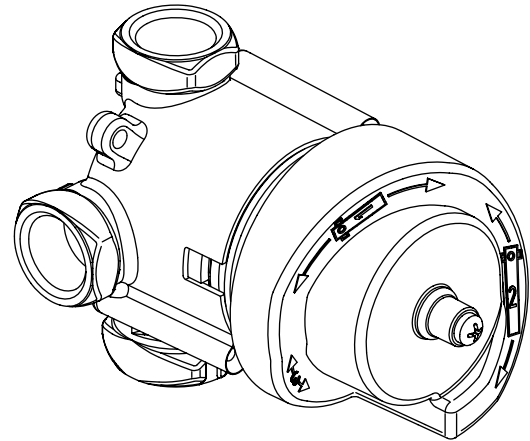
K-T376

## Product Diagram

**THREE-WAY/TWO-WAY TRANSFER VALVE  
VALVE  
K-728-K**

**Features**

- Brass construction
- Wall-mount
- Brass valve body
- Selection of one or combination of two outlets
- Single-handle control
- One 3/4" NPT inlet connection
- Three 1/2" NPT outlet connections
- Intended for use with Kohler® bath and shower supply valves
- Can be converted from 3 outlets (360° handle rotation) to 2 outlets (120° handle rotation)



**Codes/Standards Applicable**

Specified model meets or exceeds the following:

- ASME A112.18.1/CSA B125.1

**Colors/Finishes**

- NA: None applicable

**Specified Model**

Model	Description	Colors/Finishes
K-728-K	Three-way/Two-way transfer valve	<input type="checkbox"/> NA

**Product Specification**

The single-handle wall-mount three-way/two-way transfer valve shall be made of brass construction with brass valve body. Product shall feature one 3/4" NPT inlet connection and three 1/2" NPT outlet connections. Product can be converted from 3 outlets (360° handle rotation) to 2 outlets (120° handle rotation). Product shall feature a selection of one or combination of two outlets. Product is intended for installation with any Kohler bath and shower supply valves. Transfer valve shall be Kohler Model K-728-K-NA.

# MASTERSHOWER®

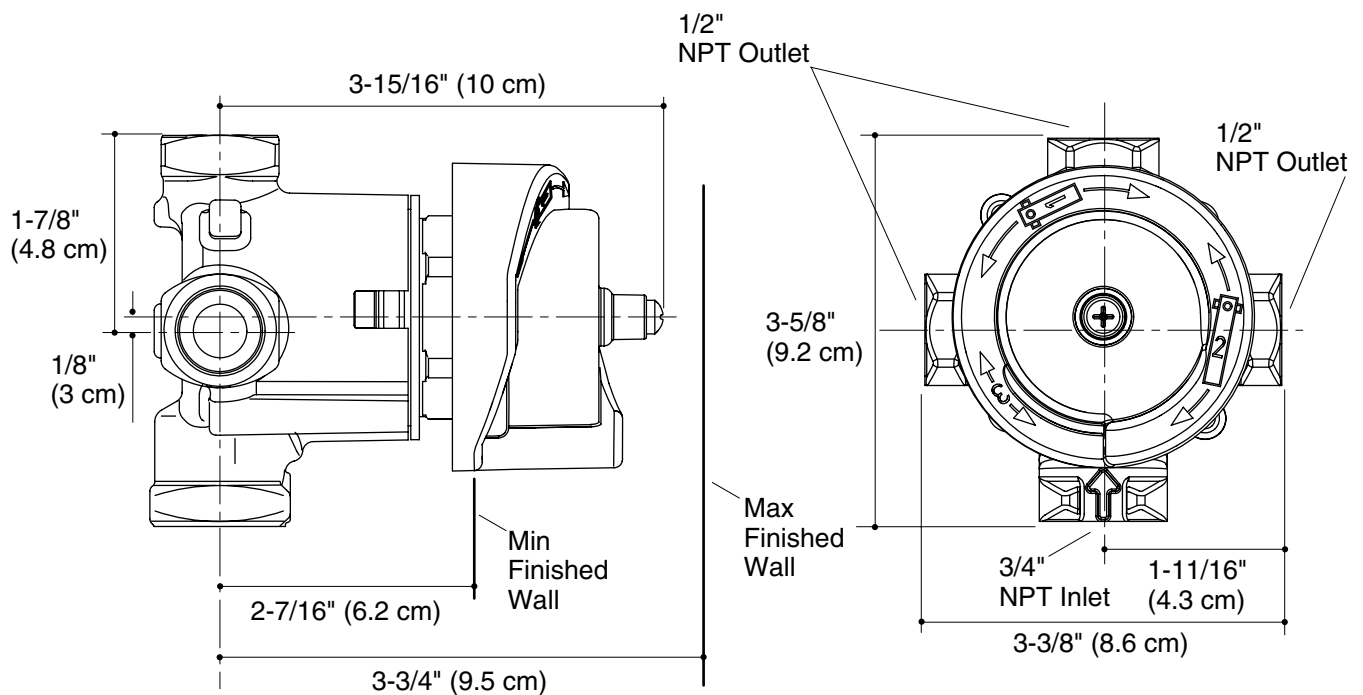
## Installation Notes

Install this product according to the installation guide.

Product is not intended for use as a shut-off valve.

Never plug an outlet port without completing the two-way conversion.

Product requires a mixed water supply to the inlet.



## Product Diagram

MASTERSHOWER® THREE-WAY/TWO-WAY TRANSFER VALVE

Page 2 of 2  
1145567-4-A

THE BOLD LOOK  
OF **KOHLER**®