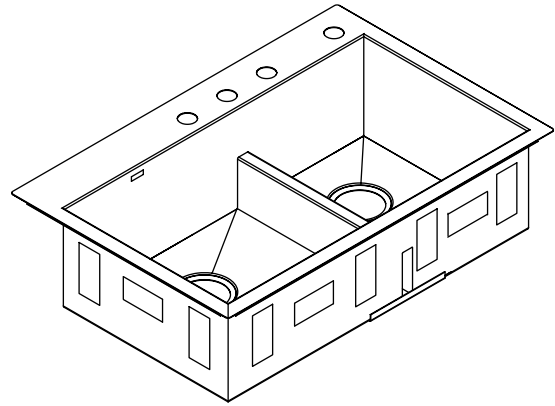


Features

- 18-gauge stainless steel
- Self-rimming or undercounter
- Offset
- Smart Divide™ lowered divider
- Includes left (large) bottom basin rack
- Includes installation hardware
- 33" (83.8 cm) x 22" (55.9 cm)

SELF-RIMMING/UNDERCOUNTER KITCHEN SINK K-3839



Codes/Standards Applicable

Specified model meets or exceeds the following:

- ASME A112.19.3/CSA B45.4

Colors/Finishes

- NA: None applicable

Accessories

- CP: Polished Chrome
- ST: Stainless Steel
- NA: None applicable
- Other: Refer to Price Book for additional colors/finishes

Specified Model

Model	Description	Colors/Finishes
K-3839-1	Self-rimming/Undercounter kitchen sink – single-hole	<input type="checkbox"/> NA
K-3839-3	Self-rimming/Undercounter kitchen sink – 3-hole	<input type="checkbox"/> NA
K-3839-4	Self-rimming/Undercounter kitchen sink – 4-hole	<input type="checkbox"/> NA

Included Accessories

K-6646	Bottom basin rack (fits large sink basin)	<input type="checkbox"/> ST
--------	---	-----------------------------

Optional Accessories

K-6647	Bottom basin rack (fits small sink basin QTY = 1)	<input type="checkbox"/> ST		
K-8801	Duostrainer® sink strainer		<input type="checkbox"/> CP	<input type="checkbox"/> Other_____
1131881	Hardware kit for countertops with a 2-1/2" (6.4 cm) thickness or less			<input type="checkbox"/> NA

Product Specification

The undercounter or self-rimming sink shall be made of 18-gauge stainless steel. Sink shall feature offset basins and Smart Divide lowered divider. Sink shall include left (large) bottom basin rack and installation hardware. Sink shall be 33" (83.8 cm) in length, 22" (55.9 cm) in width. Sink shall be Kohler Model K-3839-_____-NA.

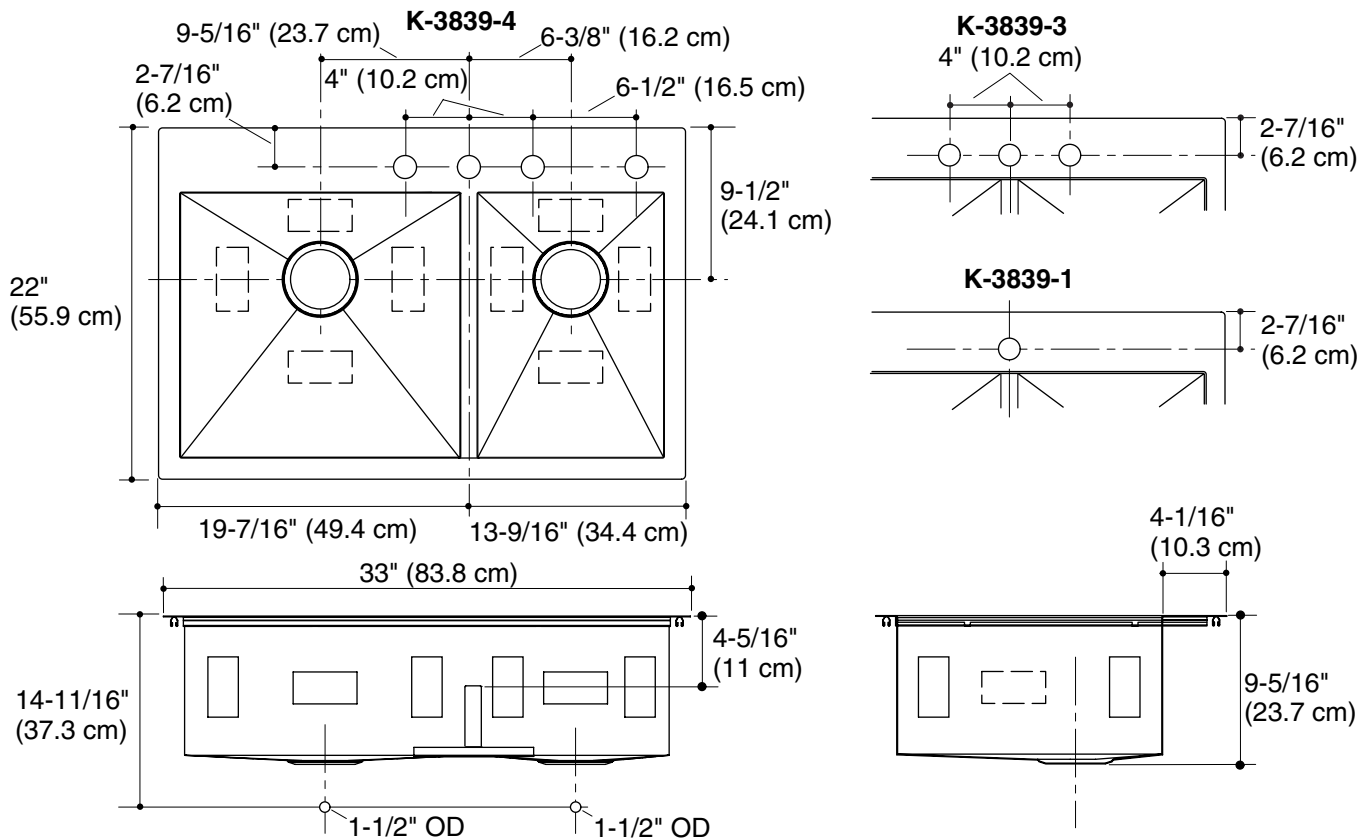
Technical Information

Fixture*:	
Basin area	17-1/2" (44.5 cm) x 16-9/16" (42.1 cm) 11-5/8" (29.5 cm) x 16-9/16" (42.1 cm)
Water depth	9" (22.9 cm)
Drain hole	3-5/8" (9.2 cm) D.
* Approximate measurements for comparison only.	

Included components:	
Hardware kit – self-rimming	1130570
Cut-out template	1130823

Installation Notes

Install this product according to the installation guide.



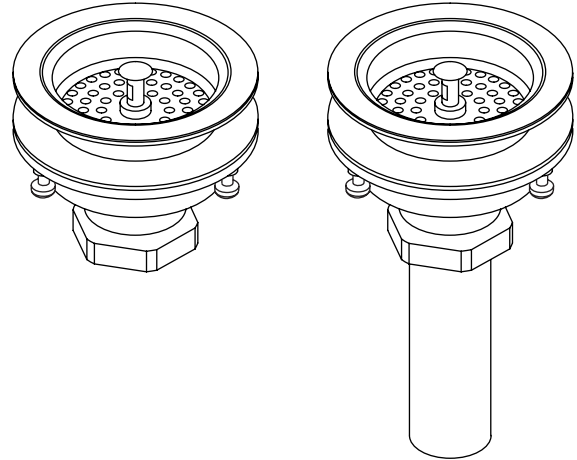
Product Diagram

DUOSTRAINER®

Features

- Brass construction
- For sink installations with 3-1/2" (8.9 cm) or 4" (10.2 cm) outlet
- Removable basket strainer with open/close stopper
- 1-1/2" connection

SINK STRAINER
K-8801
ALSO K-8799



Codes/Standards Applicable

Specified model meets or exceeds the following:

- ASME A112.18.1
- CSA B125
- IAPMO/UPC

Colors/Finishes

- CP: Polished Chrome
- PB: Polished Brass
- Other: Refer to Price Book for additional colors/finishes

Specified Model:

Model	Description	Colors/Finishes		
		<input type="checkbox"/> CP	<input type="checkbox"/> PB	<input type="checkbox"/> Other _____
K-8799	Sink strainer less tailpiece	<input type="checkbox"/> CP	<input type="checkbox"/> PB	
K-8801	Sink strainer with tailpiece	<input type="checkbox"/> CP	<input type="checkbox"/> PB	<input type="checkbox"/> Other _____

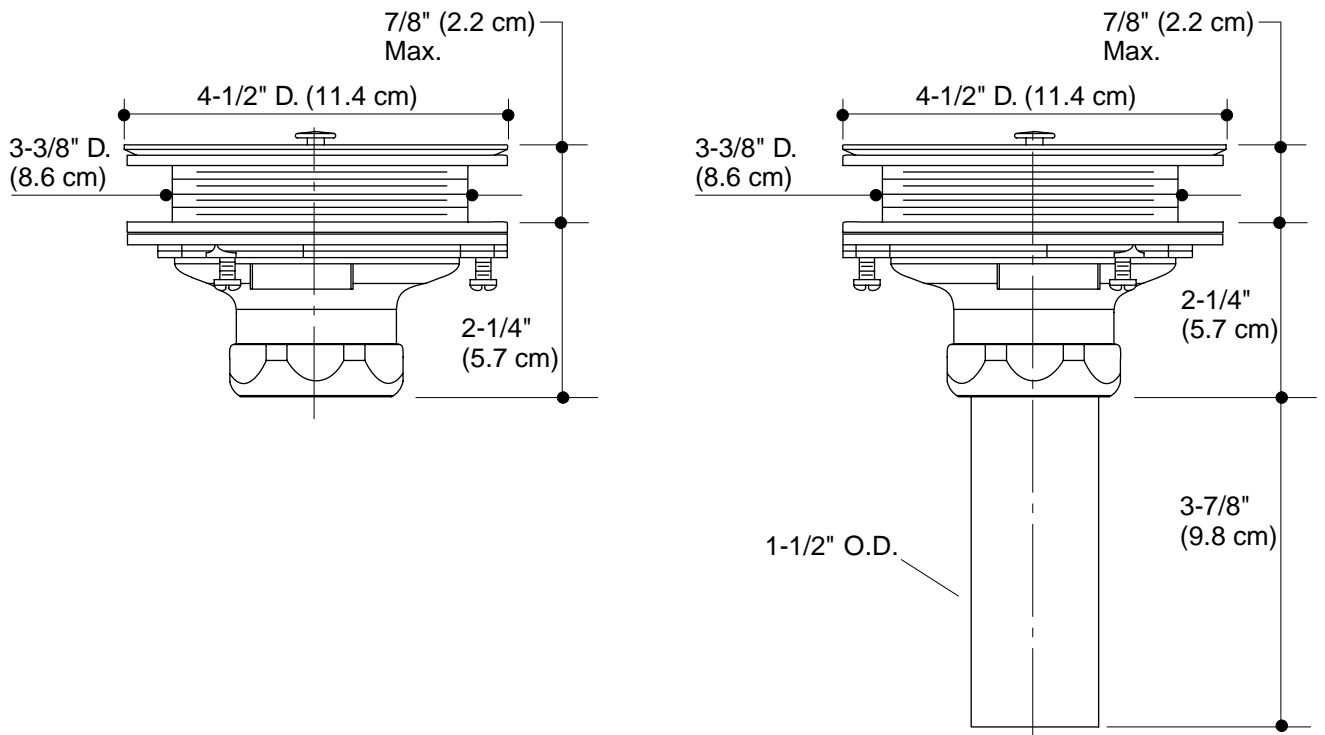
PRODUCT SPECIFICATION

Duostrainer sink strainer shall be of brass construction. Product shall feature removable basket strainer with an open/close stopper, and 1-1/2" connection. Product is intended for sink installations with 3-1/2" (8.9 cm) or 4" (10.2 cm) outlet. Optional feature shall be a brass tailpiece. Strainer shall be Kohler Model K-_____-_____.

DUOSTRAINER®

Installation Notes

Install this product in accordance with the installation instructions.



Product Diagram