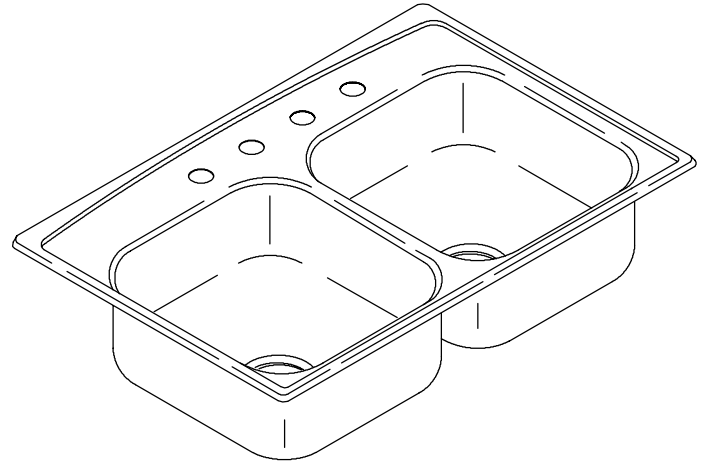


### SELF-RIMMING KITCHEN SINK

# K-3346

#### FEATURES

- 33" (83.8cm) x 22" (55.9cm)
- 19 gauge stainless steel
- Self-rimming
- Double (equal) compartment
- 3-hole (K-3346-3) or 4-hole (K-3346-4) faucet punching
- Includes installation hardware
- Highlighted bowl bead
- Additional highlighting of faucet deck (-H)



#### CODES/STANDARDS APPLICABLE

Specified model meets or exceeds the following:

- ASME/ANSI A112.19.3M

#### COLORS/FINISHES

- NA None Applicable

#### Accessories:

- CP Polished Chrome
- NA None Applicable
- Other Refer to Price Book for additional finishes

#### SPECIFIED MODEL:

Model	Description	Colors/Finishes
K-3346-3	3-hole sink	<input type="checkbox"/> NA
K-3346-4	4-hole sink	<input type="checkbox"/> NA
K-3346-3H	3-hole sink with additional highlighting on faucet deck	<input type="checkbox"/> NA
K-3346-4H	4-hole sink with additional highlighting on faucet deck	<input type="checkbox"/> NA

Optional Accessories			
K-8801	Duostrainer sink strainer	<input type="checkbox"/> CP	<input type="checkbox"/> Other _____
K-3294	Hardwood cutting board	<input type="checkbox"/> NA	

#### PRODUCT SPECIFICATION:

The self-rimming sink shall be 33" (83.8cm) in length, and 22" (55.9cm) in width. Sink shall be made of 19 gauge stainless steel. Sink shall be double (equal) compartment. Sink shall be 3-hole (K-3346-3), or 4-hole (K-3346-4) faucet punched. Sink shall include installation hardware. Sink shall have highlighted bowl bead. Sink shall have additional highlighting on faucet deck (-H). Sink shall be Kohler Model K-3346-\_\_\_\_\_-\_\_\_\_\_.

## PRODUCT INFORMATION

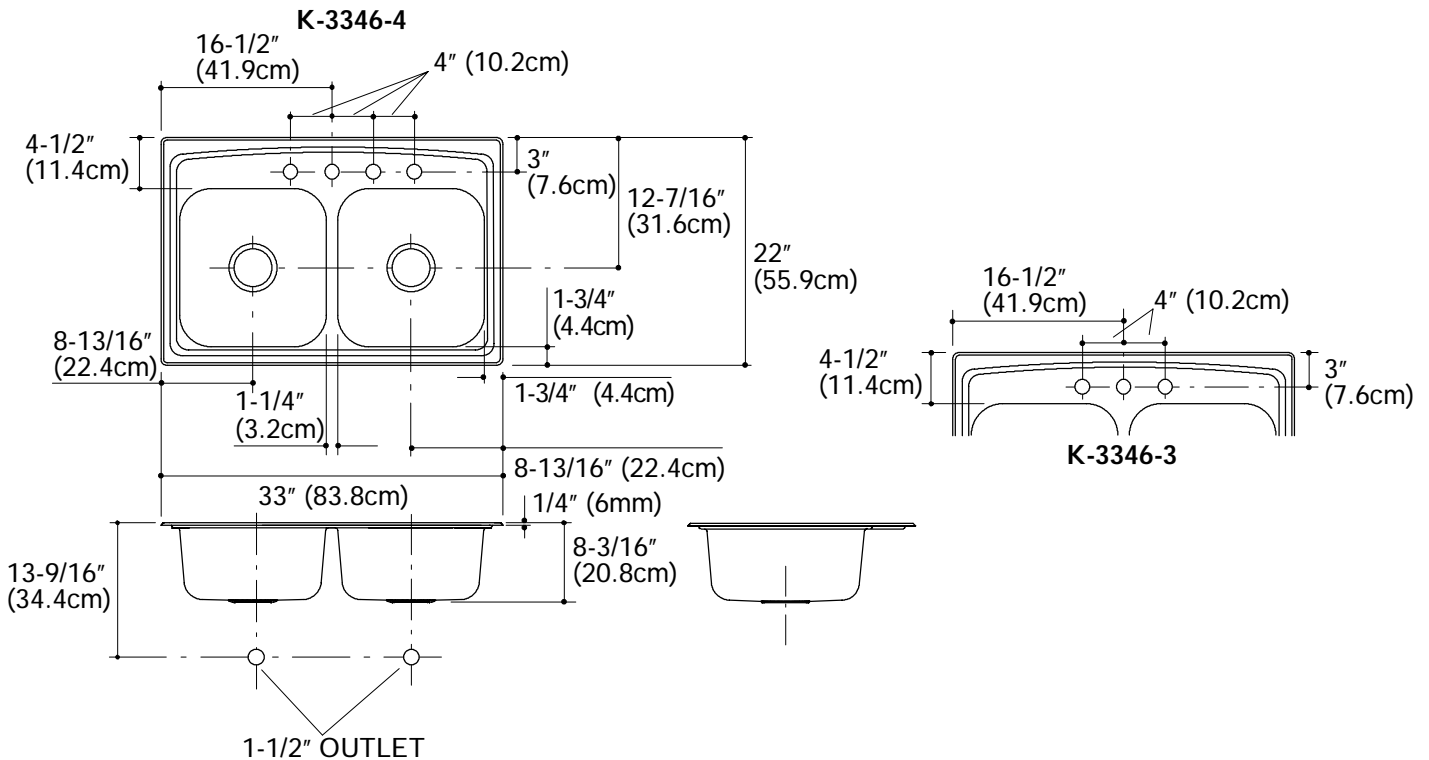
Fixture*:		basin area	water depth
Sink		14-3/16" (36cm) x 15-3/4" (40cm)	8" (20.3cm)
Outlet	3-3/4" D. (9.5cm)		
Faucet holes	1-7/16" D. (3.7cm)		

\* Approximate measurements for comparison only.

Included Components:	
Fastener kit	7256

## INSTALLATION NOTES

Cutout is 32-1/2" (82.6cm) x 21-1/2" (54.6cm) with 1/2" radius (1.3cm) corners.

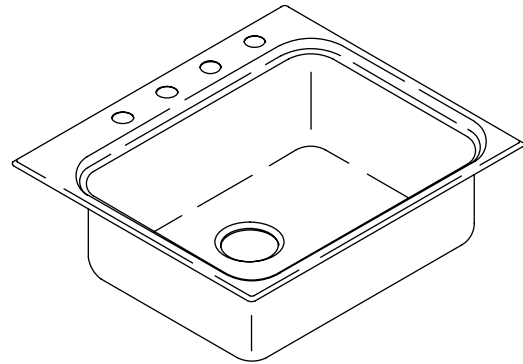


## PRODUCT DIAGRAM

### Features

- 18 gauge stainless steel
- Self-rimming
- Single compartment
- Includes installation hardware
- 4-hole (-4), 3-hole (-3), or single-hole (-1)
- 25" (63.5 cm) x 22" (55.9 cm)

### SELF-RIMMING KITCHEN SINK K-3258



### Codes/Standards Applicable

Specified model meets or exceeds the following:

- ASME A112.19.3
- IAPMO/UPC
- CSA B45

### Colors/Finishes

- NA: None applicable

#### Accessories:

- CP: Polished Chrome
- 0: White
- NA: None applicable
- Other: Refer to Price Book for additional colors/finishes

### Specified Model

Model	Description	Colors/Finishes
K-3258-4	4-hole sink	<input type="checkbox"/> NA
K-3258-3	3-hole sink	<input type="checkbox"/> NA
K-3258-1	Single-hole sink	<input type="checkbox"/> NA

Optional Accessories			
K-3192	Bottom basin rack	<input type="checkbox"/> 0 White	<input type="checkbox"/> Other_____
K-3277	Wire rinse basket	<input type="checkbox"/> 0 White	<input type="checkbox"/> Other_____
K-3294	Hardwood cutting board	<input type="checkbox"/> NA	
K-8801	Duostrainer® sink strainer	<input type="checkbox"/> CP	<input type="checkbox"/> Other_____

### Product Specification

The self-rimming kitchen sink shall be 25" (63.5 cm) in length and 22" (55.9 cm) in width. Sink shall be made of 18 gauge stainless steel. Sink shall be single compartment. Sink shall be 4-hole (-4), 3-hole (-3), or single-hole (-1). Sink shall include installation hardware. Sink shall be Kohler Model K-3258-\_\_\_\_\_.

# BALLAD

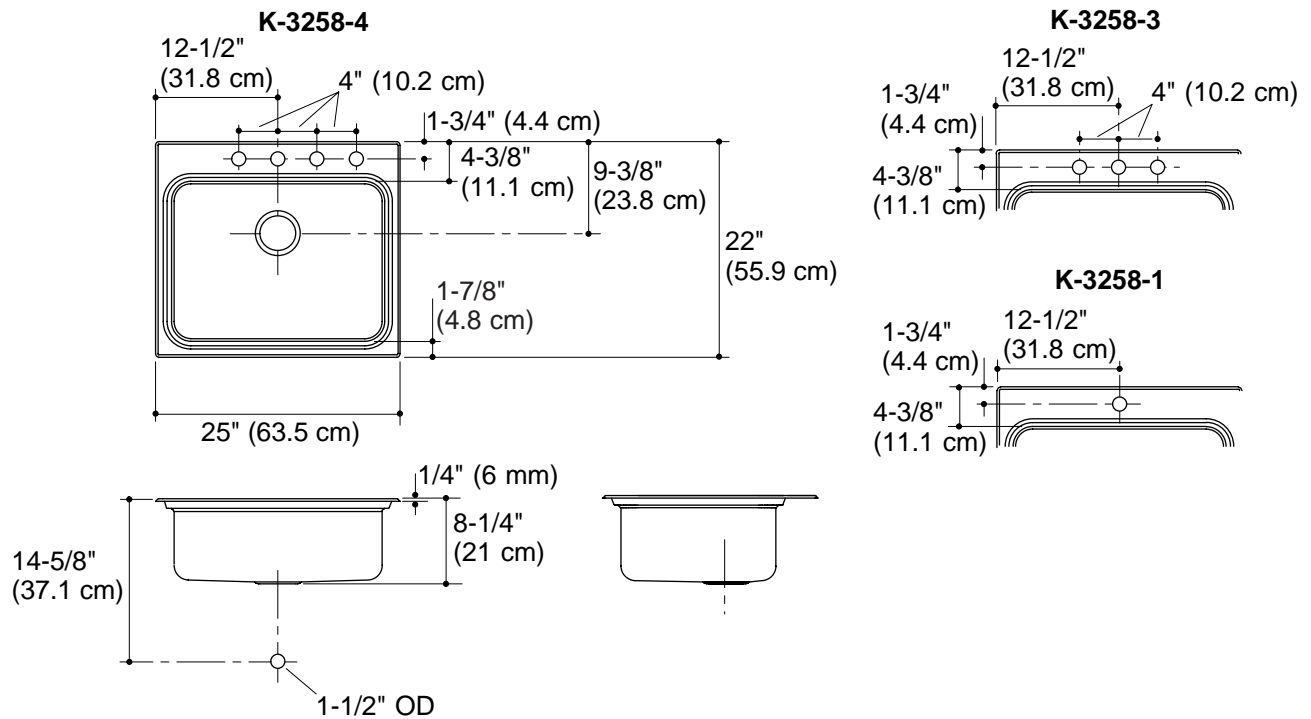
## Technical Information

Fixture*:	
Basin area	21-1/4" (54 cm) x 15-3/4" (40 cm)
Water depth	8" (20.3 cm)
Drain hole	3-5/8" (9.2 cm) D.
Faucet holes	1-7/16" (3.7 cm) D.
*Approximate measurements for comparison only.	

Included components:	
Fastener pack	1023180

## Installation Notes

Install this product according to the installation guide.  
 Cutout is 24-1/2" (62.2 cm) x 21-1/2" (54.6 cm) with 1/2" (1.3 cm) radius corners.



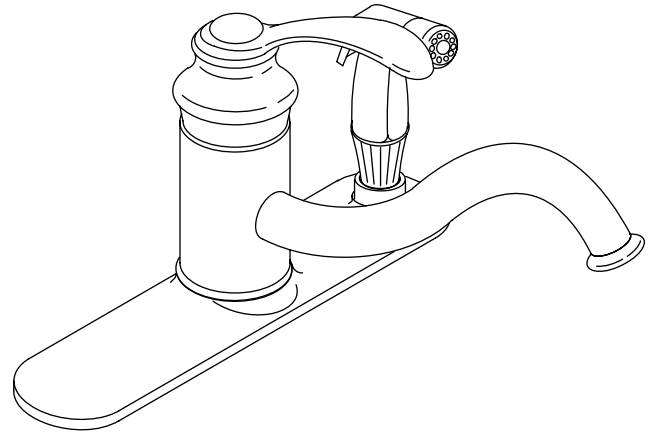
## Product Diagram

**KITCHEN SINK FAUCET  
K-12173**

ADA

**Features**

- Metal construction
- 9" (22.9 cm) swing spout reach
- One-piece, self-contained ceramic disc valve allows both volume and temperature control
- Temperature memory allows faucet to be turned on and off at any temperature setting
- High-temperature limit stop for added safety
- 2.2 gallons (8.3 L) per minute
- Lower flow aerator options are available (refer to the Kohler Price Book)
- Flexible connections for easy installation
- Matching finish sidespray
- Lever handle
- Complements Fairfax® Suite



**Codes/Standards Applicable**

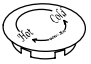
Specified model meets or exceeds the following:

- ADA
- ASME A112.18.1
- CSA B125
- IAPMO/UPC
- NSF 61
- Energy Policy Act of 1992 (EPACT)

**Colors/Finishes**

- CP: Polished Chrome
- BN: Brushed Nickel
- Other: Refer to Price Book for additional colors/finishes

**Specified Model:**

Model	Description	Colors/Finishes
K-12173	Kitchen sink faucet with matching finish sidespray	<input type="checkbox"/> CP <input type="checkbox"/> BN <input type="checkbox"/> Other ____
<b>Optional Accessory</b>		
K-12001	Plug button	<input type="checkbox"/> Other ____

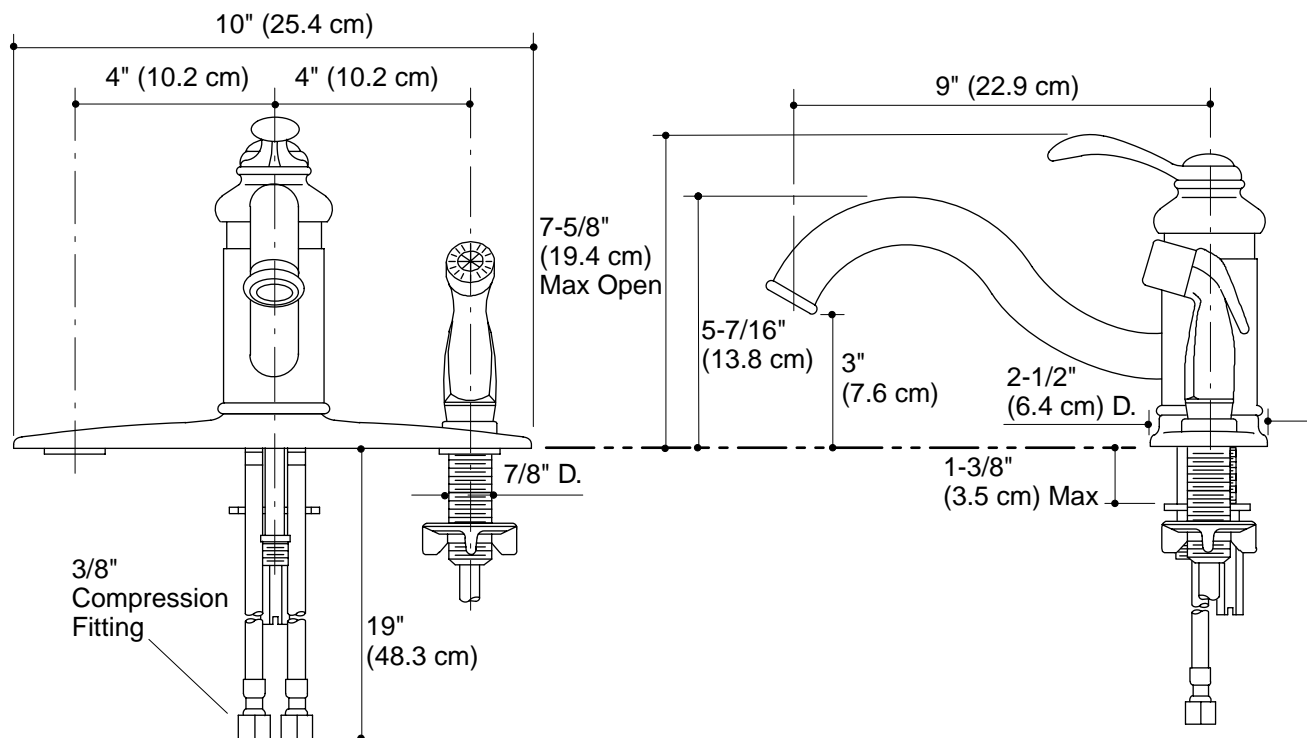
**PRODUCT SPECIFICATION**

Single-control kitchen sink faucet shall be of metal construction. Product shall have a one-piece, self-contained ceramic disc valve allowing both volume and temperature control. Product shall feature temperature memory allowing the faucet to be turned on and off at any temperature setting and a high-temperature limit stop for added safety. Product shall feature a 9" (22.9 cm) swing spout reach. Product shall include flexible connections, a lever handle, and a matching finish sidespray. Product shall have a flow rate of 2.2 gallons (8.3 L) per minute with lower flow aerator options available (refer to the Kohler Price Book). Product shall complement the Fairfax Suite. Faucet shall be Kohler Model K-12173-\_\_\_\_.

# FAIRFAX®

## Installation Notes

Install this product according to the installation guide.



### Product Diagram

**TRADITIONAL DESIGN**

**SOAP/LOTION DISPENSER  
K-1894**

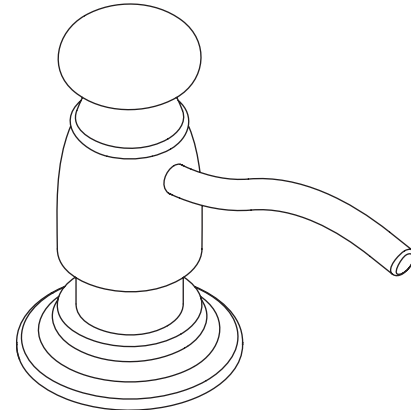
**Features**

- Brass construction
- Intended for kitchen sink and bathroom lavatory installations
- Refillable from the top side
- 16 fluid ounce (.5 L) capacity
- 3-7/16" (8.7 cm) high pump
- 3-7/16" (8.7 cm) long spout

**Codes/Standards Applicable**

Specified model meets or exceeds the following:

- None applicable



**Colors/Finishes**

- CP: Polished Chrome
- Other: Refer to Price Book for additional colors/finishes

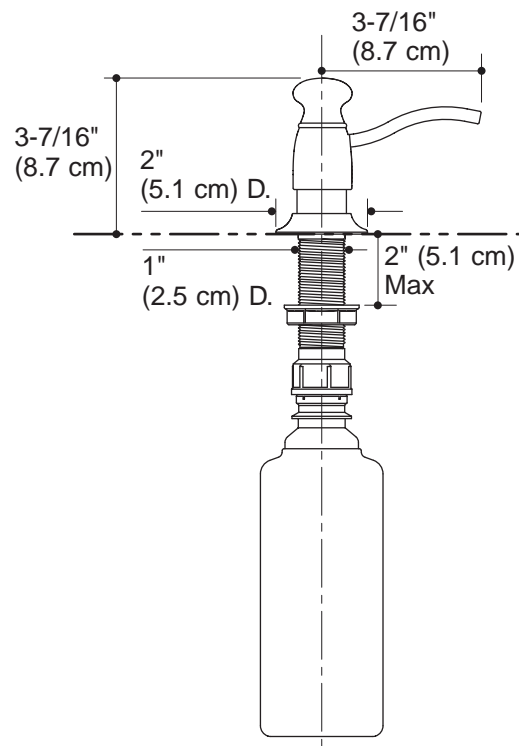
**Specified Model:**

Model	Description	Colors/Finishes	
K-1894	Soap/lotion dispenser - traditional design	<input type="checkbox"/> CP	<input type="checkbox"/> Other ____

**PRODUCT SPECIFICATION**

Traditional style soap/lotion dispenser shall be of brass construction. Product shall feature 3-7/16" (8.7 cm) high pump, 3-7/16" (8.7 cm) long spout, and is refillable from the top side. Product is intended for kitchen sink and bathroom lavatory installations and has a 16 fluid ounce (.5 L) capacity. Soap/lotion dispenser shall be Kohler Model K-1894-\_\_\_\_.

# TRADITIONAL DESIGN



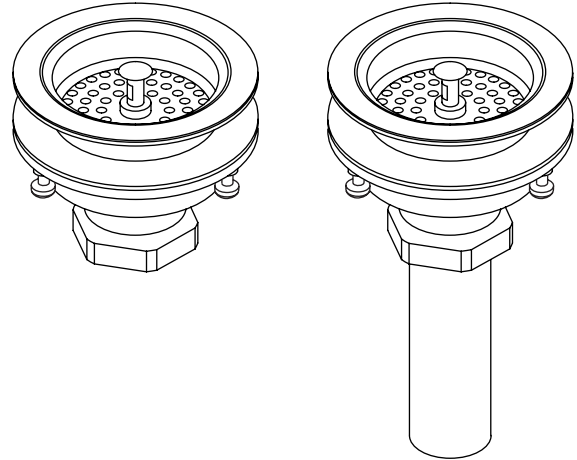
Product Diagram



**Features**

- Brass construction
- For sink installations with 3-1/2" (8.9 cm) or 4" (10.2 cm) outlet
- Removable basket strainer with open/close stopper
- 1-1/2" connection

**SINK STRAINER  
K-8801  
ALSO K-8799**



**Codes/Standards Applicable**

Specified model meets or exceeds the following:

- ASME A112.18.1
- CSA B125
- IAPMO/UPC

**Colors/Finishes**

- CP: Polished Chrome
- PB: Polished Brass
- Other: Refer to Price Book for additional colors/finishes

**Specified Model:**

Model	Description	Colors/Finishes		
		<input type="checkbox"/> CP	<input type="checkbox"/> PB	<input type="checkbox"/> Other _____
K-8799	Sink strainer less tailpiece	<input type="checkbox"/> CP	<input type="checkbox"/> PB	
K-8801	Sink strainer with tailpiece	<input type="checkbox"/> CP	<input type="checkbox"/> PB	<input type="checkbox"/> Other _____

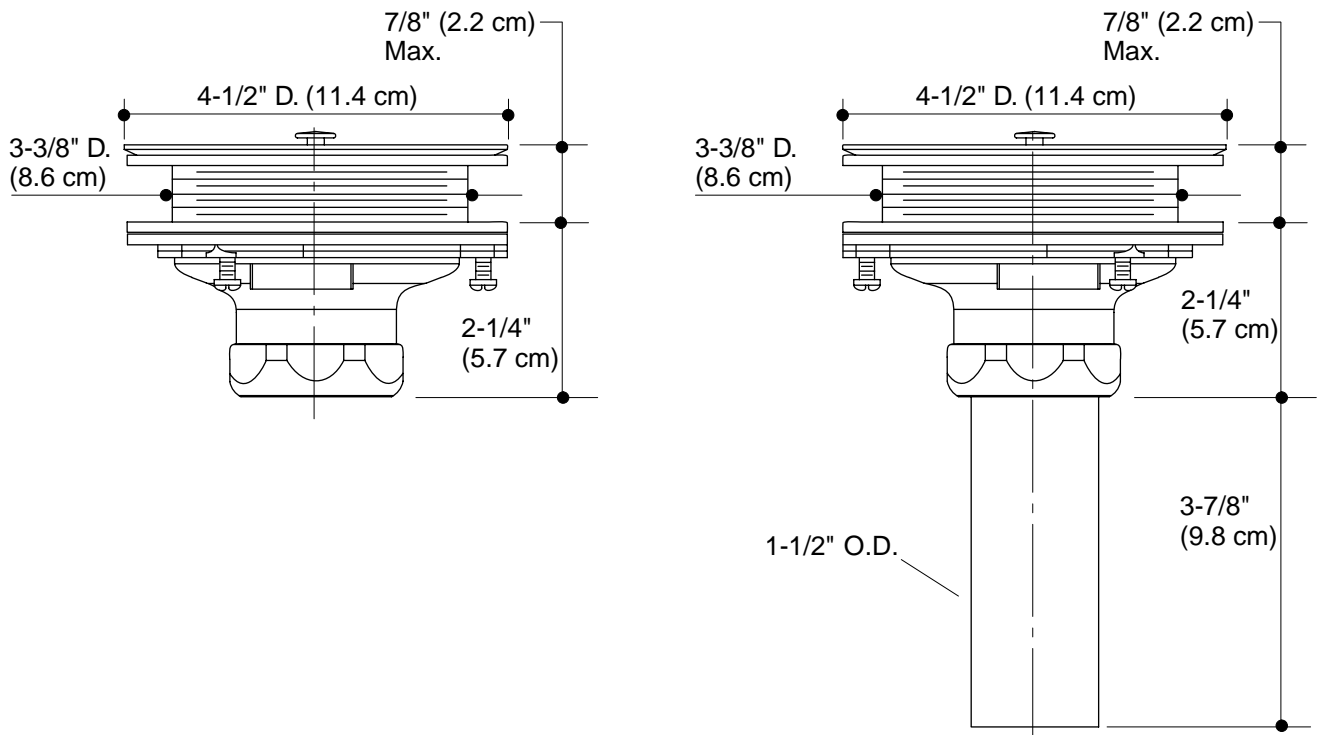
**PRODUCT SPECIFICATION**

Duostrainer sink strainer shall be of brass construction. Product shall feature removable basket strainer with an open/close stopper, and 1-1/2" connection. Product is intended for sink installations with 3-1/2" (8.9 cm) or 4" (10.2 cm) outlet. Optional feature shall be a brass tailpiece. Strainer shall be Kohler Model K-\_\_\_\_\_-\_\_\_\_\_.

# DUOSTRAINER®

## Installation Notes

Install this product in accordance with the installation instructions.



## Product Diagram