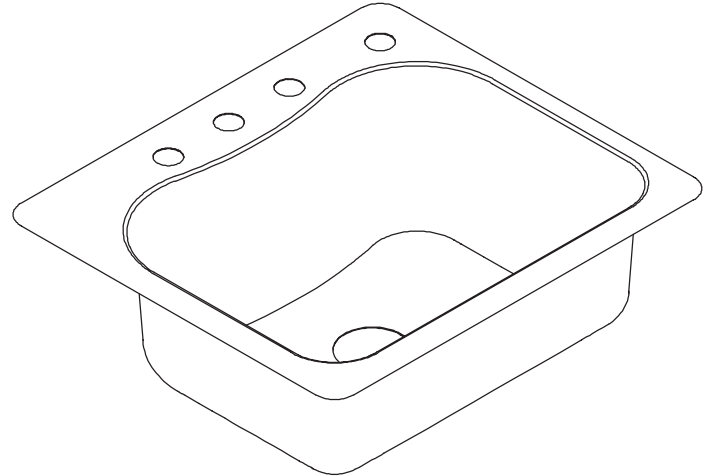


FEATURES

- 25" (63.5cm) x 22" (55.9cm)
- 18 gauge stainless steel
- Self-rimming
- Single compartment
- 4-hole (K-3362-4), 3-hole (K-3362-3), or single-hole (K-3362-1) faucet punching
- Includes installation hardware



CODES/STANDARDS APPLICABLE

Specified model meets or exceeds the following:

- None applicable

COLORS/FINISHES

- NA None Applicable

Accessories:

- CP Polished Chrome
- NA None Applicable
- Other Refer to Price Book for additional colors

SPECIFIED MODEL:

Model	Description	Colors/Finishes
K-3362-4	4-hole sink	<input type="checkbox"/> NA
K-3362-3	3-hole sink	<input type="checkbox"/> NA
K-3362-1	Single-hole sink	<input type="checkbox"/> NA
Optional Accessories		
K-3366	Hardwood cutting board	<input type="checkbox"/> NA
K-8813	Duostrainer sink strainer	<input type="checkbox"/> CP <input type="checkbox"/> Other_____

PRODUCT SPECIFICATION:

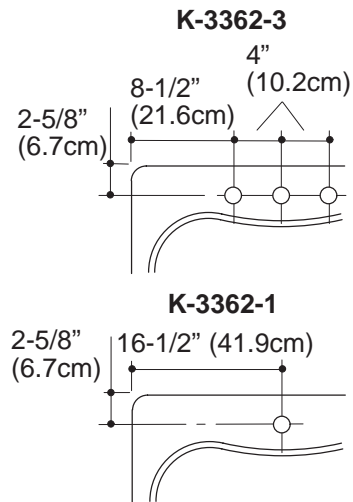
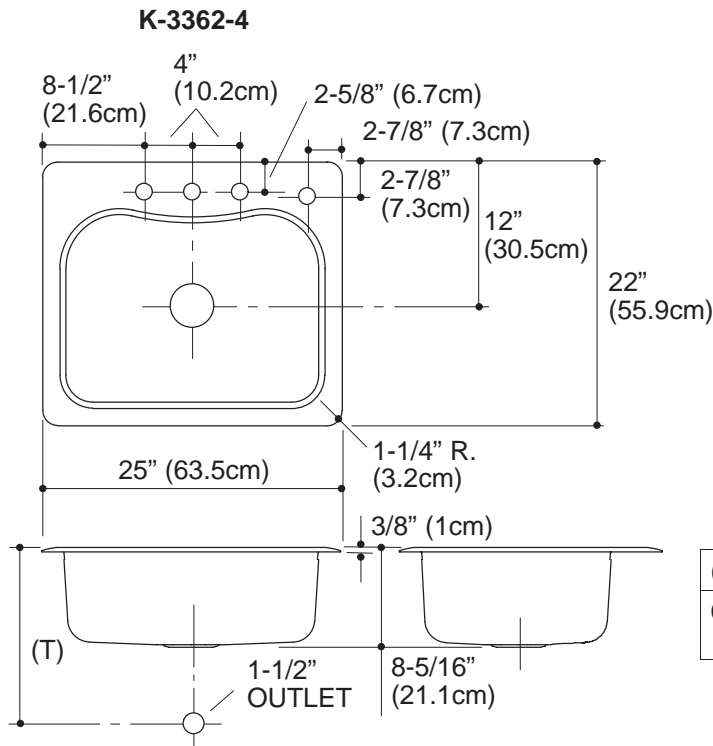
The self-rimming sink shall be 25" (63.5cm) in length, and 22" (55.9cm) in width. Sink shall be made of 18 gauge stainless steel. Sink shall be single compartment. Sink shall be 4-hole (K-3362-4), 3-hole (K-3362-3), or single-hole (K-3362-1) faucet punched. Sink shall include installation hardware. Sink shall be Kohler Model K-3362-_____-_____-_____.

STACCATO™

PRODUCT INFORMATION

Fixture*:	basin area	water depth
Sink	21-1/8" (53.7cm) x 15-11/16" (39.8cm)	8" (20.3cm)
Outlet	3-5/8" D. (9.2cm)	
Faucet holes	1-7/16" D. (3.7cm)	

* Approximate measurements for comparison only.



(T) Drain typically 14-9/16" (37cm)	
Cutout	24-1/2" (62.2cm) x 21-1/2" (54.6cm) with 1" (2.5cm) radius corners.

116

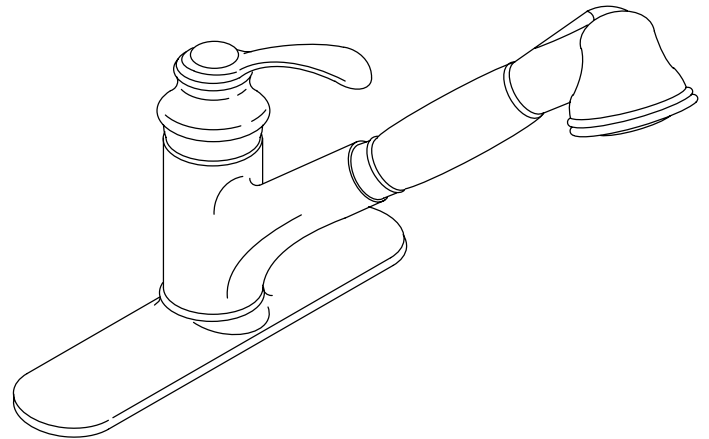
PRODUCT DIAGRAM

**KITCHEN SINK FAUCET
K-12177**

FEATURES

- *Metal construction*
- *One-piece self-contained ceramic disc valve allows both volume and temperature control*
- *Temperature memory allowing faucet to be turned on and off at any temperature setting*
- *High-temperature limit stop*
- *9" Swing spout with integral spray and retractable hose*
- *2.2 gallons per minute (Max. @ 60 psi)*
- *Lever handle*
- *Touch control stream-to-spray adjustment*
- *Integral vacuum breaker*
- *10" Escutcheon plate for three-hole installations*

ADA



CODES/STANDARDS APPLICABLE

Specified model meets or exceeds the following:

- *ASME/ANSI A112.18.1M*
- *CSA International B125*
- *Energy Policy Act of 1992*
- *IAPMO/UPC listed*
- *NSF 61*
- *Listed in the State of Wisconsin*

COLORS/FINISHES

- CP Polished Chrome
- PB Polished Brass
- Other Refer to Faucets Price Book for additional finish

SPECIFIED MODEL:

Model	Description	<input type="checkbox"/> CP	<input type="checkbox"/> PB	<input type="checkbox"/> Other_____
K-12177	With Matching Color Sprayhead			

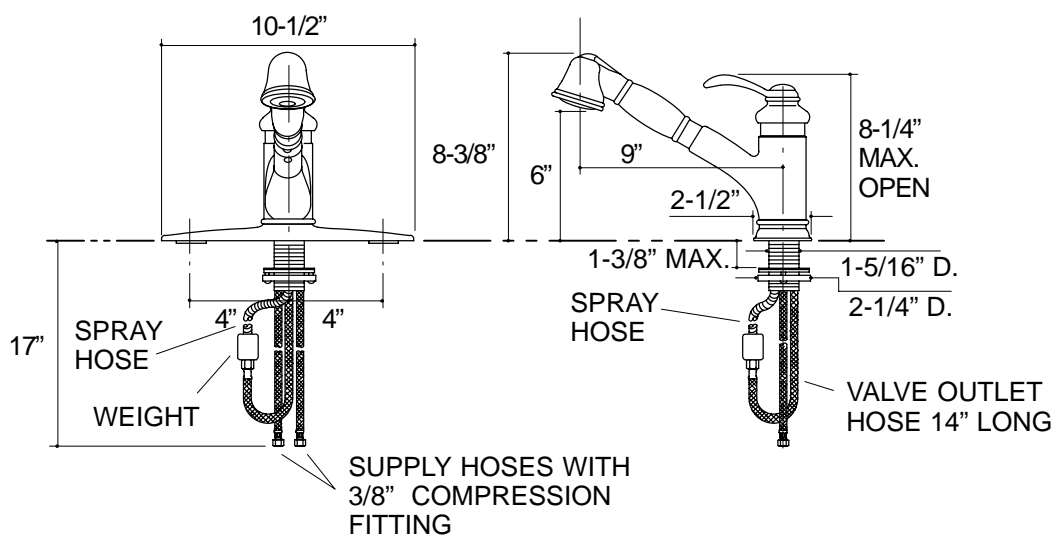
PRODUCT SPECIFICATION:

Single-control pull-out spray kitchen sink faucet shall be of metal construction. The valve shall be a one-piece, self-contained ceramic disc valve, and allows both volume and temperature control. The valve shall feature temperature memory, allowing the faucet to be turned on and off at any temperature setting, and includes a high-temperature limit stop. Faucet shall also feature stream-to-spray touch control. Product shall include 9" swing spout with integral sprayhead and hose, lever handle, integral vacuum breaker, and 10" escutcheon plate. Faucet shall be Kohler Model K-12177-_____.

Roughing-In Notes

Meets all local plumbing codes for vacuum breaker requirements.

All necessary parts included for both single-hole and three-hole installation.



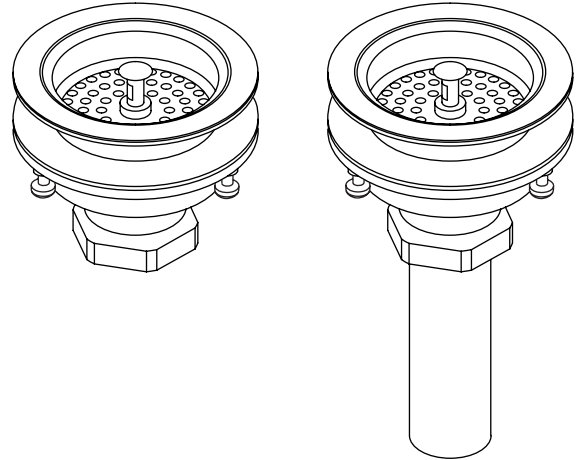
PRODUCT DIAGRAM

DUOSTRAINER®

Features

- Brass construction
- For sink installations with 3-1/2" (8.9 cm) or 4" (10.2 cm) outlet
- Removable basket strainer with open/close stopper
- 1-1/2" connection

**SINK STRAINER
K-8801
ALSO K-8799**



Codes/Standards Applicable

Specified model meets or exceeds the following:

- ASME A112.18.1
- CSA B125
- IAPMO/UPC

Colors/Finishes

- CP: Polished Chrome
- PB: Polished Brass
- Other: Refer to Price Book for additional colors/finishes

Specified Model:

Model	Description	Colors/Finishes		
		<input type="checkbox"/> CP	<input type="checkbox"/> PB	<input type="checkbox"/> Other _____
K-8799	Sink strainer less tailpiece	<input type="checkbox"/> CP	<input type="checkbox"/> PB	
K-8801	Sink strainer with tailpiece	<input type="checkbox"/> CP	<input type="checkbox"/> PB	<input type="checkbox"/> Other _____

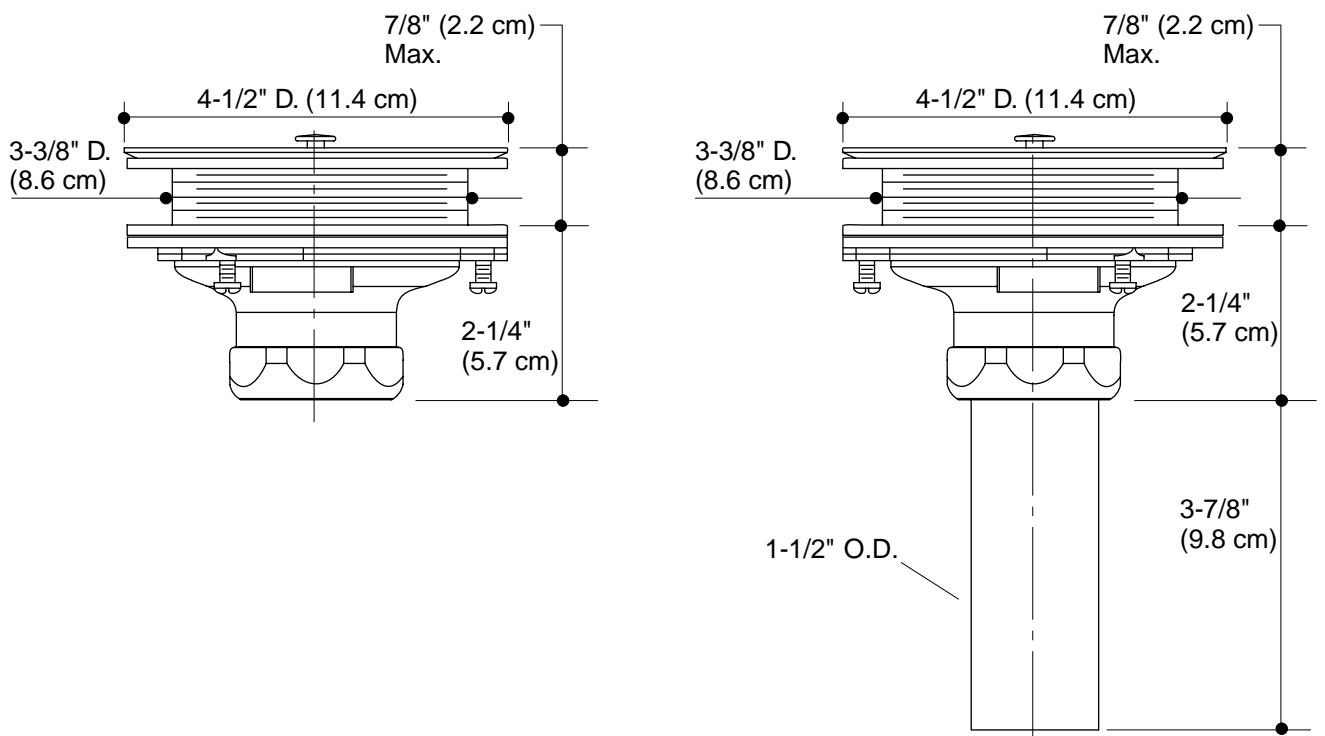
PRODUCT SPECIFICATION

Duostrainer sink strainer shall be of brass construction. Product shall feature removable basket strainer with an open/close stopper, and 1-1/2" connection. Product is intended for sink installations with 3-1/2" (8.9 cm) or 4" (10.2 cm) outlet. Optional feature shall be a brass tailpiece. Strainer shall be Kohler Model K-_____-_____.

DUOSTRAINER®

Installation Notes

Install this product in accordance with the installation instructions.



Product Diagram