

**WALL-MOUNT FAUCET
K-T343
ALSO K-T344**

ADA

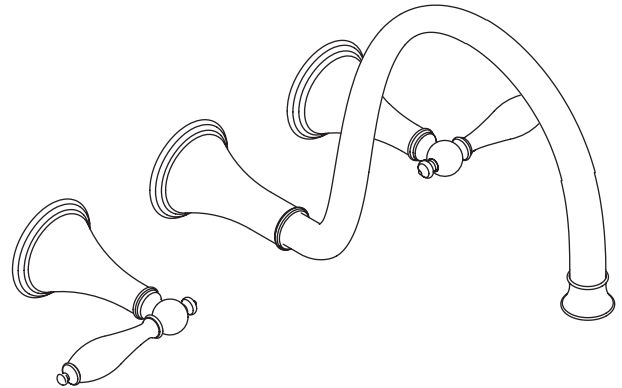
Features

- Dual control wall-mounted
- Brass construction
- 2.2 gallons (8.3 L) per minute [max at 60 psi (4.14 bar)]
- Lever handle(s)

Codes/Standards Applicable

Specified model meets or exceeds the following:

- ASME A112.18.1
- CSA B125
- IAPMO/UPC
- NSF 61
- Energy Policy Act of 1992 (EPACT)
- ADA



Colors/Finishes

- CP: Polished Chrome
- Other: Refer to Price Book for additional colors/finishes

Specified Model

Model	Description	Colors/Finishes	
K-T343-4M	Finial Lever Handles 9-3/4" (24.8 cm) Spout	<input type="checkbox"/> CP	<input type="checkbox"/> Other _____
K-T343-4P	Finial Lever Handles with White Handle Inserts 9-3/4" (24.8 cm) Spout	<input type="checkbox"/> CP	<input type="checkbox"/> Other _____
K-T344-4M	Finial Lever Handles 11-3/4" (29.8 cm) Spout	<input type="checkbox"/> CP	<input type="checkbox"/> Other _____
K-T344-4P	Finial Lever Handles with White Handle Inserts 11-3/4" (29.8 cm) Spout	<input type="checkbox"/> CP	<input type="checkbox"/> Other _____





Required Accessory

K-410-K	Wall-Mount Valve	<input type="checkbox"/> NA
---------	------------------	-----------------------------

Optional Accessories on Page 2.

Product Specification

Dual-control wall-mount faucet shall be of brass construction. Faucet shall have a maximum flow rate of 2.2 gallons (8.3 L) per minute [max at 60 psi (4.15 bar)]. Product shall include lever handle(s). Trim shall be Kohler Model K-T_____-_____-_____.

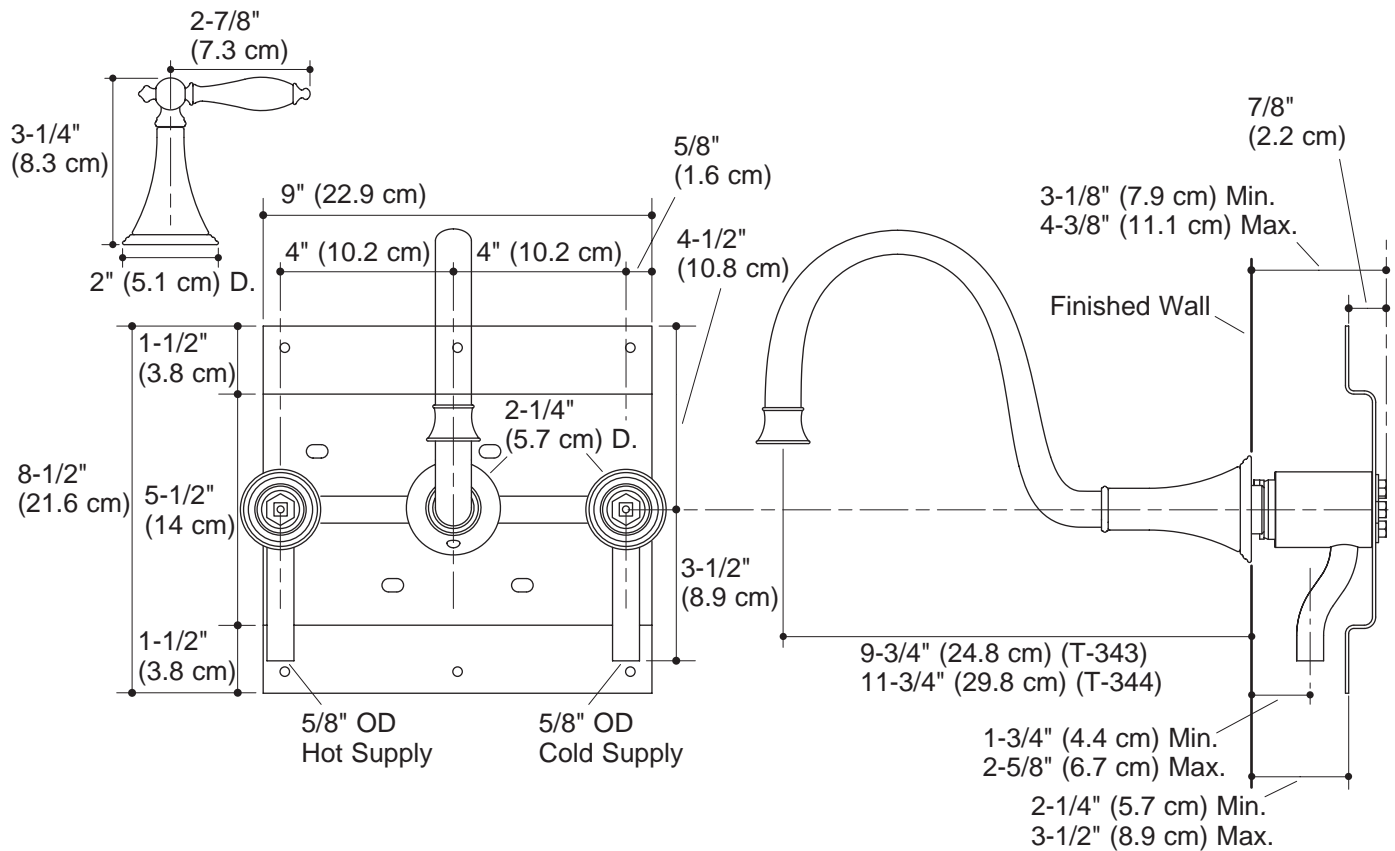
Optional Accessories					
K-7702	Pop-Up Lavatory Drain	<input type="checkbox"/> CP			
K-7710	Lavatory Drain		<input type="checkbox"/> CP		
K-7715	Lavatory Drain			<input type="checkbox"/> CP	
K-8801	Duostrainer Sink Strainer				<input type="checkbox"/> CP <input type="checkbox"/> Other_____

Installation Notes

Install this product according to the installation guide.

A minimum of 1-1/2" (3.8 cm) to 6" (15.2 cm) clearance space must be maintained between the bottom of the spout and the top of the fixture rim.

Three 1-1/2" (3.8 cm) diameter cut-out holes are required for the spout and handles.



Product Diagram