

**BATH AND SHOWER FAUCET TRIM
K-T15201**

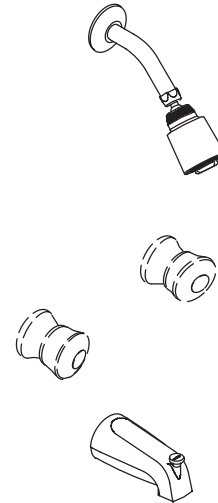
FEATURES

- Metal construction
- Reversible 1/2" quarter-turn washerless ceramic disc valves
- 4-7/8" (12.4cm) diverter spout with N.P.T. or slip-fit connection
- Lever or acrylic handles

CODES/STANDARDS APPLICABLE

Specified model meets or exceeds the following:



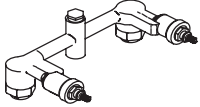
- ASME/ANSI A112.18.1M
- CSA International B125
- IAPMO/UPC



COLORS/FINISHES

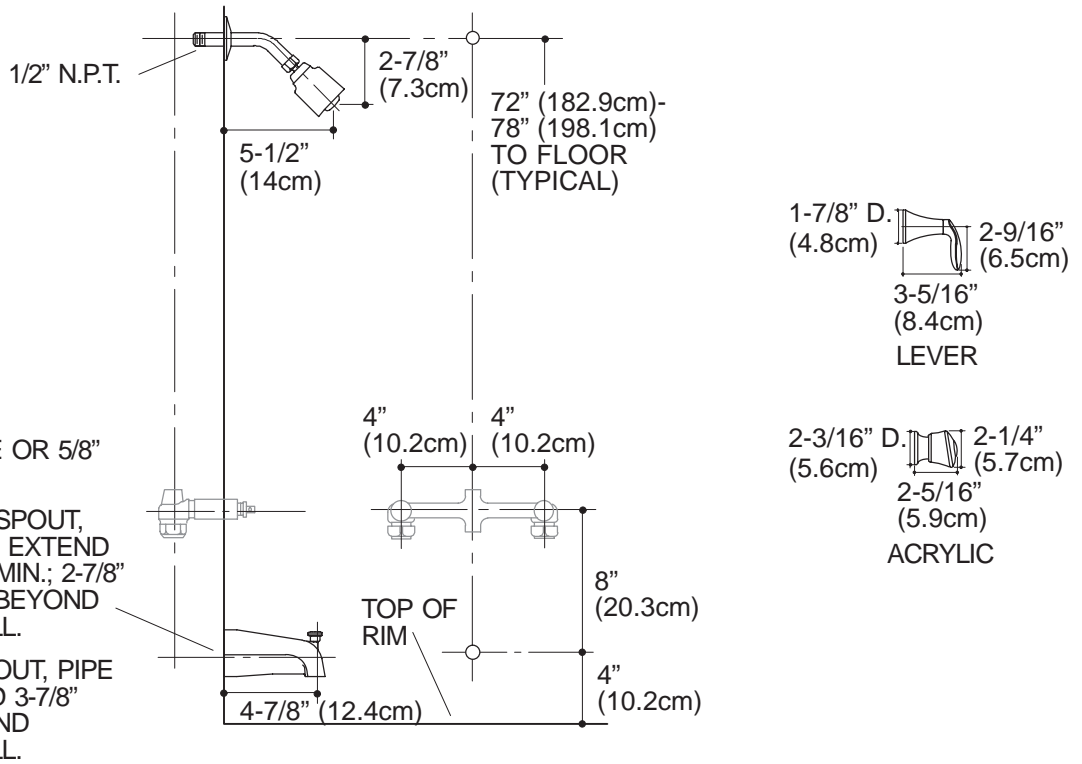
- CP Polished Chrome
- PB Polished Brass

SPECIFIED MODEL: For complete faucet, both faucet trim and mixing valve must be specified.

Model			
K-T15201-4	Bath and Shower Trim, With Lever Handles and N.P.T. Spout	<input type="checkbox"/> CP <input type="checkbox"/> PB	
K-T15201-4S	Bath and Shower Trim, With Lever Handles and Slip-Fit Spout	<input type="checkbox"/> CP	
K-T15201-7	Bath and Shower Trim, With Acrylic Handles and N.P.T. Spout		<input type="checkbox"/> CP <input type="checkbox"/> PB
K-T15201-7S	Bath and Shower Trim, With Acrylic Handles and Slip-Fit Spout		<input type="checkbox"/> CP
Required Accessory			
K-302-K	2-Handle 1/2" Ceramic Disc Valve System		<input type="checkbox"/> NA

PRODUCT SPECIFICATION:

Two-handle bath and shower faucet trim shall be of metal construction. Faucet shall feature reversible 1/2" quarter-turn washerless ceramic disc valves, assuring positive handle stop positioning. Product shall include showerhead with arm and flange, 4-7/8" (12.4cm) diverter spout with N.P.T. or slip-fit connection, and lever or acrylic handles. Faucet shall be Kohler Model K-T15201-____-____ and valve system shall be Kohler Model K-302-K-NA.



332

PRODUCT DIAGRAM