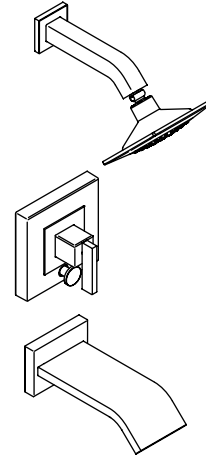


**Features**

- Brass construction
- MasterClean™ spray nozzles prohibit mineral build-up
- Complements Loure Suite
- Push button diverter on bath and shower trim models [K-T14664, K-T14665 and K-T14668]
- Requires a Rite-Temp® valve

**BATH AND SHOWER VALVE TRIM  
K-T14664**

**ALSO K-T14665, K-T14668, K-T14670**



**Codes/Standards Applicable**

Specified model meets or exceeds the following:

- ASSE 1016
- ASME A112.18.1/CSA B125.1

**Colors/Finishes**

- CP: Polished Chrome
- Other: Refer to Price Book for additional colors/finishes
- NA: None applicable

**Specified Model**

Model	Description	Colors/Finishes	
K-T14664-4	Bath and shower valve trim (shown)	<input type="checkbox"/> CP	<input type="checkbox"/> Other ____
K-T14665-4	Shower trim only – with diverter button	<input type="checkbox"/> CP	<input type="checkbox"/> Other ____
K-T14670-4	Shower trim only – without diverter button	<input type="checkbox"/> CP	<input type="checkbox"/> Other ____
K-T14668-4	Mixing valve trim– with diverter button	<input type="checkbox"/> CP	<input type="checkbox"/> Other ____
K-T14671-4	Mixing valve trim– without diverter button	<input type="checkbox"/> CP	<input type="checkbox"/> Other ____
K-14676	Bath spout	<input type="checkbox"/> CP	<input type="checkbox"/> Other ____

Required Accessories		
K-304-K/CX/PX/UX	Rite-Temp pressure-balancing valve – less stops	<input type="checkbox"/> NA
K-304-KS/CS/KP/PS/US	Rite-Temp pressure-balancing valve with stops	<input type="checkbox"/> NA
K-305-K*	Rite-Temp pressure-balancing valve with push-button diverter – less stops	<input type="checkbox"/> NA
K-305-KS*	Rite-Temp pressure-balancing valve with push-button diverter and stops	<input type="checkbox"/> NA

**Product Specification**

Bath and shower trim shall be made of brass construction. Faucet trim shall be available with an ADA compliant lever handle. Product shall have a push button diverter on bath and shower trim models [K-T14664, K-T14665 and K-T14668]. Showerhead shall feature a MasterClean™ spray nozzle that prohibits mineral buildup. Product shall require a Rite-Temp valve. Product shall complement the Loure Suite. Bath and shower trim shall be Kohler Model K-T \_\_\_\_ - \_\_\_\_ - \_\_\_\_ or K- \_\_\_\_ - \_\_\_\_ and Rite-Temp valving shall be K- \_\_\_\_ - \_\_\_\_ -NA.

## Required Accessories (cont.)

K-306-KS**	HiFlow Rite-Temp valve with stops	<input type="checkbox"/> NA
K-11748-K	Rite-Temp valve with push-button diverter – less stops	<input type="checkbox"/> NA
K-11748-KS	Rite-Temp valve with push-button diverter and stops	<input type="checkbox"/> NA
* Requires 1016453 diverter button kit.		
** Requires 88526 for thin wall installations.		

## Optional Accessories

88526	Thin wall installation kit for K-306-KS HiFlow Rite-Temp valve	<input type="checkbox"/> CP	<input type="checkbox"/> Other _____
1016453	Diverter button kit for K-305-K or K-305-KS Rite-Temp valve	<input type="checkbox"/> CP	<input type="checkbox"/> Other _____
1139260	Deep rough-in kit for Rite-Temp valve	<input type="checkbox"/> CP	<input type="checkbox"/> Other _____

## Installation Notes

Install this product according to the installation guide.

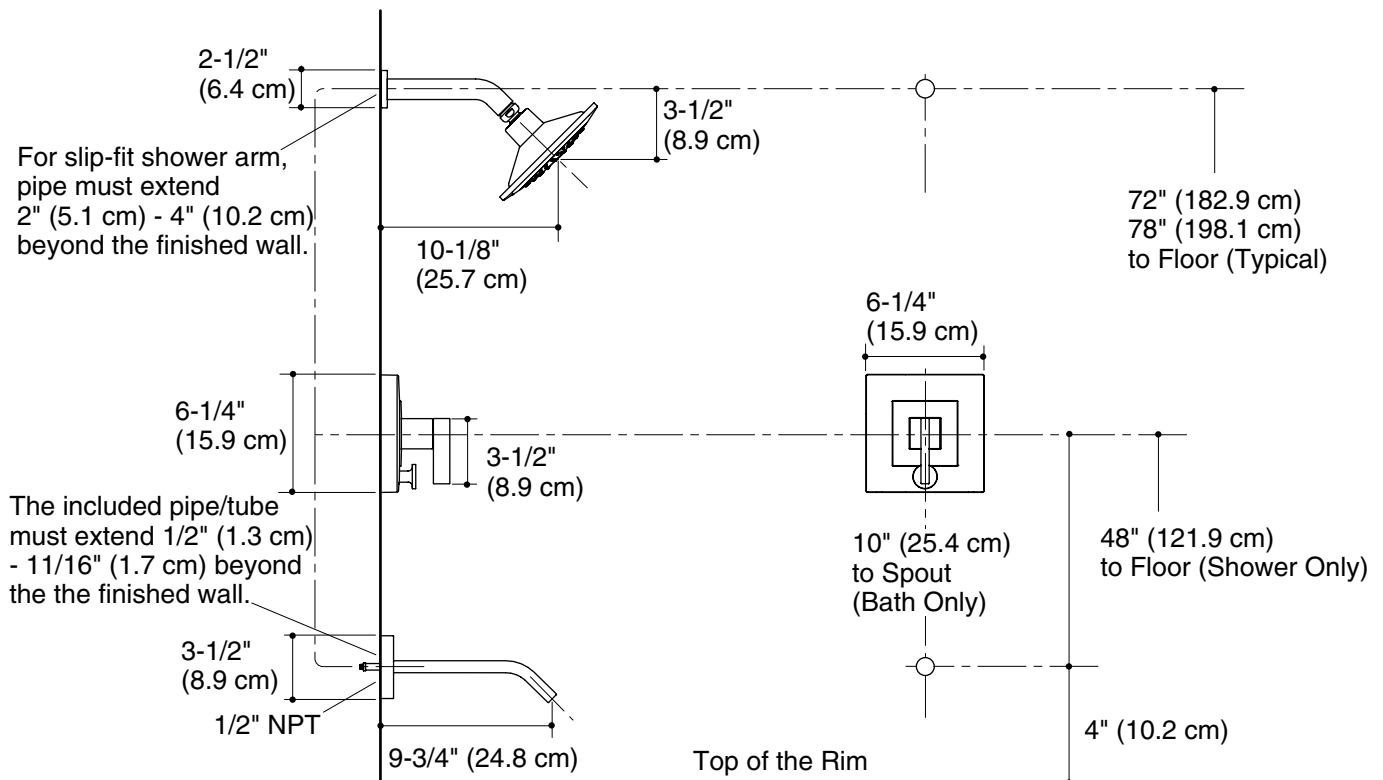
**NOTICE: For K-305 valve:**The diverter button kit (1016453) is required.

**NOTICE: For K-306-KS valve:**The thin wall installation kit (88526) is required for thin wall (fiberglass or acrylic) installations.

Avoid cross-flow conditions. Do not install a shut-off device on either valve outlet.

Cap the shower outlet if the deck-mounted spout, diverter, or handshower is connected to the spout outlet.

Install straight pipe or tube drop of 7" (17.8 cm) to 18" (45.7 cm) with single elbow between the valve and the wall-mount spout. Elbow must be a 90 degree drop ell that is secured to rigid framing.



## Product Diagram