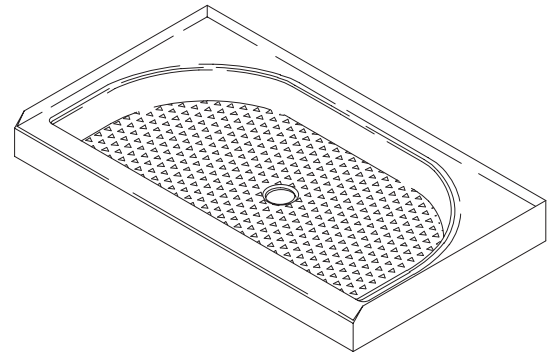


FEATURES

- 60" (152.4cm) x 34" (86.4cm)
- Acrylic
- Terraced side walls
- Molded-in floor pattern



CODES/STANDARDS APPLICABLE

Specified model meets or exceeds the following:

- ANSI Z124.2
- IAPMO/UPC
- State of Massachusetts

COLORS/FINISHES

- 0 White
- Other Refer to Fixtures Price Book for additional colors

Accessories:

- CP Polished Chrome
- PB Polished Brass
- SV Nevada Silver™
- BR New England Brass™
- SH Bright Silver
- BH Bright Brass
- Other Refer to Faucets Price Book for additional finishes

SPECIFIED MODEL:

Model	Description	Colors/Finishes	
K-9535	Shower receptor	<input type="checkbox"/> 0 White	<input type="checkbox"/> Other_____

Recommended Accessories				
K-9132	Drain	<input type="checkbox"/> CP	<input type="checkbox"/> PB	<input type="checkbox"/> Other_____
Optional Accessories				
K-9850	Profile® pivot shower door OR	<input type="checkbox"/> SV	<input type="checkbox"/> BR	<input type="checkbox"/> Other_____
K-9860	Glassworks™ bypass shower door* OR	<input type="checkbox"/> SV	<input type="checkbox"/> BR	
K-703026	Forum™ bypass shower door *	<input type="checkbox"/> SH	<input type="checkbox"/> BH	<input type="checkbox"/> 0 White

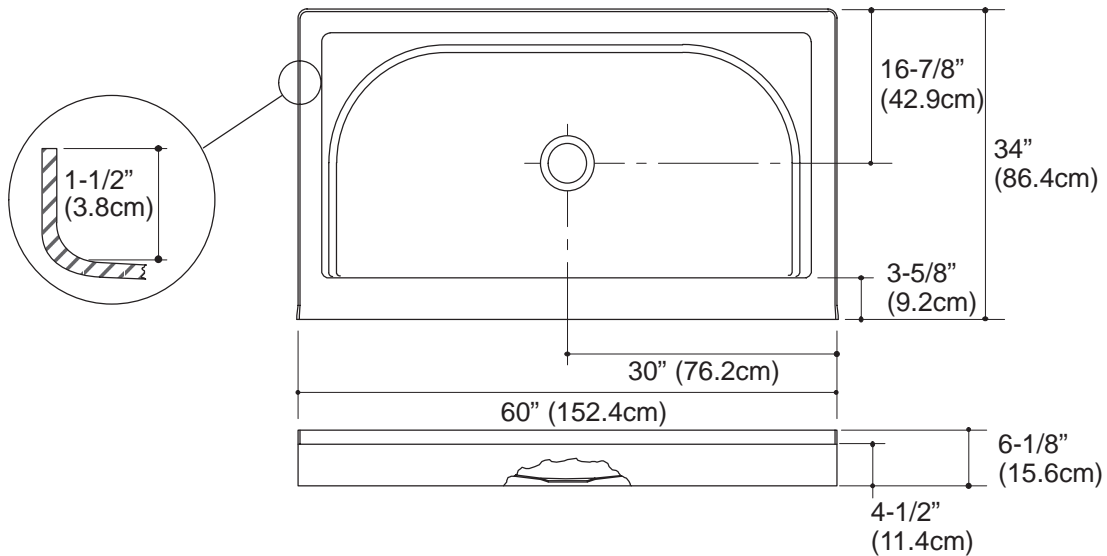
* Refer to Fixtures Price Book for glass options.

PRODUCT SPECIFICATION:

The shower receptor shall be 60" (152.4cm) in length and 34" (86.4cm) in width. Shower receptor shall be made of acrylic. Shower receptor shall have terraced side walls. Shower receptor shall have molded-in floor pattern. Shower module shall be Kohler Model K-9535-_____.

PRODUCT INFORMATION

Fixture:	
Weight	65 lbs. (29.5 kg)
Configuration	1-piece
Drain Outlet	3-3/8" D. (8.6cm)



364

PRODUCT DIAGRAM