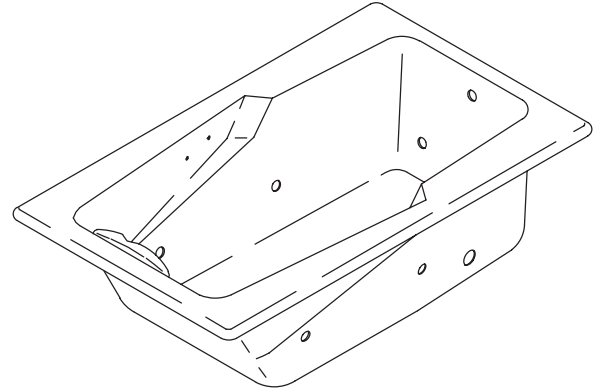


K-792-H2, K-792-N1

FEATURES

- 60" (152.4cm) x 36" (91.4cm) x 20-3/8" (51.8cm)
- Cast iron with Safeguard® finish
- K-792-N1 - 2 hp variable speed pump with 1.5 kW heater, back-lit user control, and pulsating neckjets pillow
- K-792-H2 - 1.5 hp variable speed pump with 1.5 kW heater, and back-lit user control
- 6 Flexjets
- UL Listed
- LESS ALL TRIM
- Drilled for K-9623 grip rails (required)



CODES/STANDARDS APPLICABLE

Specified model meets or exceeds the following:

- ASME/ANSI A112.19.1M
- ASME/ANSI A112.19.7M
- IAPMO/UPC
- Underwriters Laboratories (UL)

COLORS/FINISHES

- 0 White
- Other Refer to Fixtures Price Book for additional colors

Accessories:

- CP Polished Chrome
- PB Polished Brass
- Other Refer to Price Book for additional finishes
- NA None Applicable

SPECIFIED MODEL:

Model	Description	Colors/Finishes	
K-792-H2	Bath whirlpool	<input type="checkbox"/> 0 White	<input type="checkbox"/> Other _____
K-792-N1	Bath whirlpool with neckjets and pillow (shown)	<input type="checkbox"/> 0 White	<input type="checkbox"/> Other _____

Required Accessories				
K-9696	Jet trim kit	<input type="checkbox"/> CP	<input type="checkbox"/> PB	<input type="checkbox"/> Other _____
K-9623	Grip rails (pair)	<input type="checkbox"/> CP	<input type="checkbox"/> PB	<input type="checkbox"/> Other _____
Recommended Accessories				
K-7161-AF	Drain	<input type="checkbox"/> CP	<input type="checkbox"/> PB	<input type="checkbox"/> Other _____
Optional Accessories				
K-584	Undermount installation kit (template and installation instructions)	<input type="checkbox"/> NA		
K-1179	Vinyl tiling-in bead (use when wall material contacts any top surface of bath)	<input type="checkbox"/> NA		
K-1491	Pillow	<input type="checkbox"/> 0 White	<input type="checkbox"/> Other _____	
K-1601	Footstop	<input type="checkbox"/> 0 White	<input type="checkbox"/> Other _____	

PRODUCT SPECIFICATION:

The bath whirlpool shall be 60" (152.4cm) in length, 36" (91.4cm) in width, and 20-3/8" (51.8cm) in height. Bath whirlpool shall be made of cast iron with Safeguard® finish. K-792-N1 bath whirlpool shall have 6 Flexjets, 2 hp variable speed pump, 1.5 kW heater, back-lit user control, and pulsating neckjets with pillow. K-792-H2 bath whirlpool shall have 6 Flexjets, 1.5 hp variable speed pump, 1.5 kW heater, and back-lit user control. Bath whirlpool shall be UL listed. Bath whirlpool shall be less all trim. Bath whirlpool shall be drilled for K-9623 grip rails (required). Bath whirlpool shall be Kohler Model K-792-_____ -_____.

STEERING BATH™

PRODUCT INFORMATION

Fixture*:	basin area	top area	weight
Bathing well	43" (109.2cm) x 19" (48.3cm)	54" (137.2cm) x 30" (76.2cm)	420 lbs. (190.5kg)
	water depth	capacity	
To overflow	15" (38.1cm)	62 gal. (234.7L)	

* Approximate measurements for comparison only.

Product	Pump	Heater	Voltage	Frequency	Amperage
Neckjets	2 HP	1.5 kW	240 V	50/60 Hz	15 A
w/o Neckjets	1.5 HP	1.5 kW	240 V	50/60 Hz	11 A

REQUIRED ELECTRICAL SERVICE

Dedicated circuit required, protected with Class A Ground-Fault Circuit-Interrupter (GFCI) or Earth-Leakage Circuit-Breaker (ELCB):

Pump/control	220/240 V, 20 A, 50/60 Hz
--------------	---------------------------

INSTALLATION NOTES

Install this product according to the installation guide.

Floor support under whirlpool must provide for a minimum of 1500 lbs. (680.4kg).

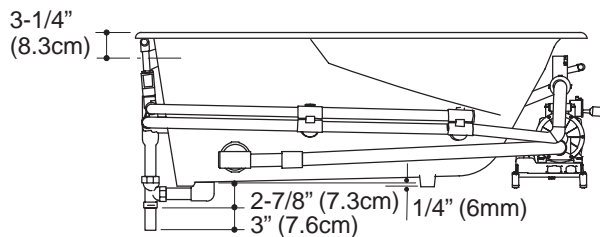
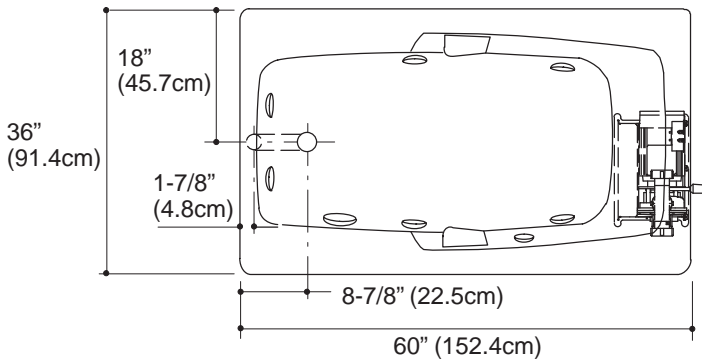
No change in measurements if connected with drain illustrated. (K-7161-AF or K-7161M-AF)

Drop-in cut-out	58-1/2" (148.6cm) x 34-1/2" (87.6cm)
-----------------	--------------------------------------

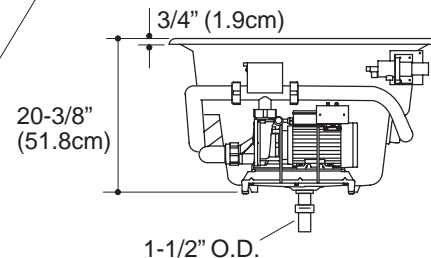
Cut-out for undermount	K-584 template
------------------------	----------------

Minimum access panel:

Pump/control	34" (86.4cm) W x 15" (38.1cm) H	required
--------------	---------------------------------	----------



PUMP/CONTROL ACCESS



PRODUCT DIAGRAM