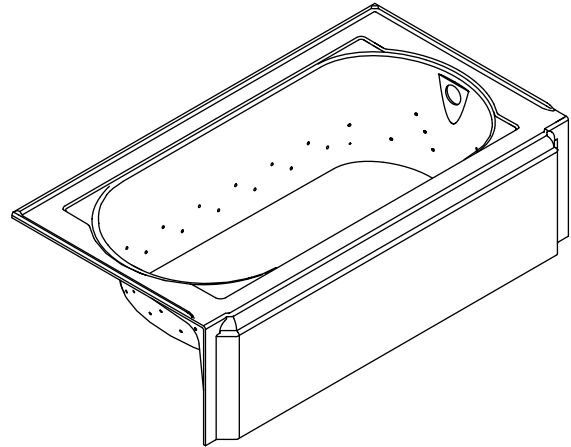


Features

- Cast iron with Safeguard® finish
- Blower motor with 300 W heater and electronic back-lit user control
- Left or right drain
- 43 BubbleMassage™ airjets
- 18 levels of airflow adjustability
- With Zones of Control™, surge, and automatic purge features
- 60" (152.4 cm) x 33-3/4" (85.7 cm) x 17-7/16" (44.3 cm)

5' (1.5 m) BUBBLEMASSAGE™ BATH K-723-G ALSO K-724-G

ADA



Codes/Standards Applicable

Specified model meets or exceeds the following:

- ADA
- ICC/ANSI A117.1
- ASME A112.19.1/CSA B45.2
- ASME A112.19.7M
- CSA C22.2 No 218.2
- UL 1795

Colors/Finishes

- 0: White
- CP: Polished Chrome
- NA: None applicable
- Other: Refer to Price Book for additional colors/finishes

Specified Model

Model	Description	Airjet Trim Color		Colors/Finishes	
K-723-G	5' (1.5 m) BubbleMassage bath – left drain	<input type="checkbox"/> CP	<input type="checkbox"/> Other _____	<input type="checkbox"/> 0	<input type="checkbox"/> Other _____
K-724-G	5' (1.5 m) BubbleMassage bath – right drain	<input type="checkbox"/> CP	<input type="checkbox"/> Other _____	<input type="checkbox"/> 0	<input type="checkbox"/> Other _____

Recommended Accessories

K-7161-AF	Pop-up bath drain	<input type="checkbox"/> CP	<input type="checkbox"/> Other _____
K-7259	Toe tap bath drain	<input type="checkbox"/> CP	<input type="checkbox"/> Other _____

Optional Accessories

K-1491	Removable pillow	<input type="checkbox"/> 0	<input type="checkbox"/> Other _____
K-1601	Removable footstop	<input type="checkbox"/> 0	<input type="checkbox"/> Other _____
K-1705	Remote control		<input type="checkbox"/> NA
K-9498	3" (7.6 cm) keypad trim	<input type="checkbox"/> CP	<input type="checkbox"/> Other _____

Product Specification

The BubbleMassage bath shall be made of cast iron with Safeguard finish. Bath shall be 60" (152.4 cm) in length, 33-3/4" (85.7 cm) in width, and 17-7/16" (44.3 cm) in height. Bath shall have 43 BubbleMassage airjets. Bath shall have a blower motor with 300 W heater and electronic back-lit user control. Bath shall have left or right drain and 18 levels of airflow adjustability. Bath shall be with Zones of Control™, surge, and automatic purge features. Bath shall be Kohler Model K-723-G_____-_____ or K-724-G_____-_____.

MEMOIRS®

Technical Information

Fixture*:	
Bathing well:	
Basin area, bottom	45" (114.3 cm) x 23" (58.4 cm)
Basin area, top	54" (137.2 cm) x 25" (63.5 cm)
Weight	390 lbs (176.9 kg)
To overflow:	
Water depth	11-5/8" (29.5 cm)
Capacity	52 gal (196.8 L)
* Approximate measurements for comparison only.	

Blower motor:	Heater	V	Hz	A
	300 W	220-240	50/60	3

Required Electrical Service

Dedicated circuit required, protected with Class A Ground-Fault Circuit-Interrupter (GFCI):	
Blower motor/control	220-240 V, 15 A, 50/60 Hz

Installation Notes

Install this product according to the installation guide.

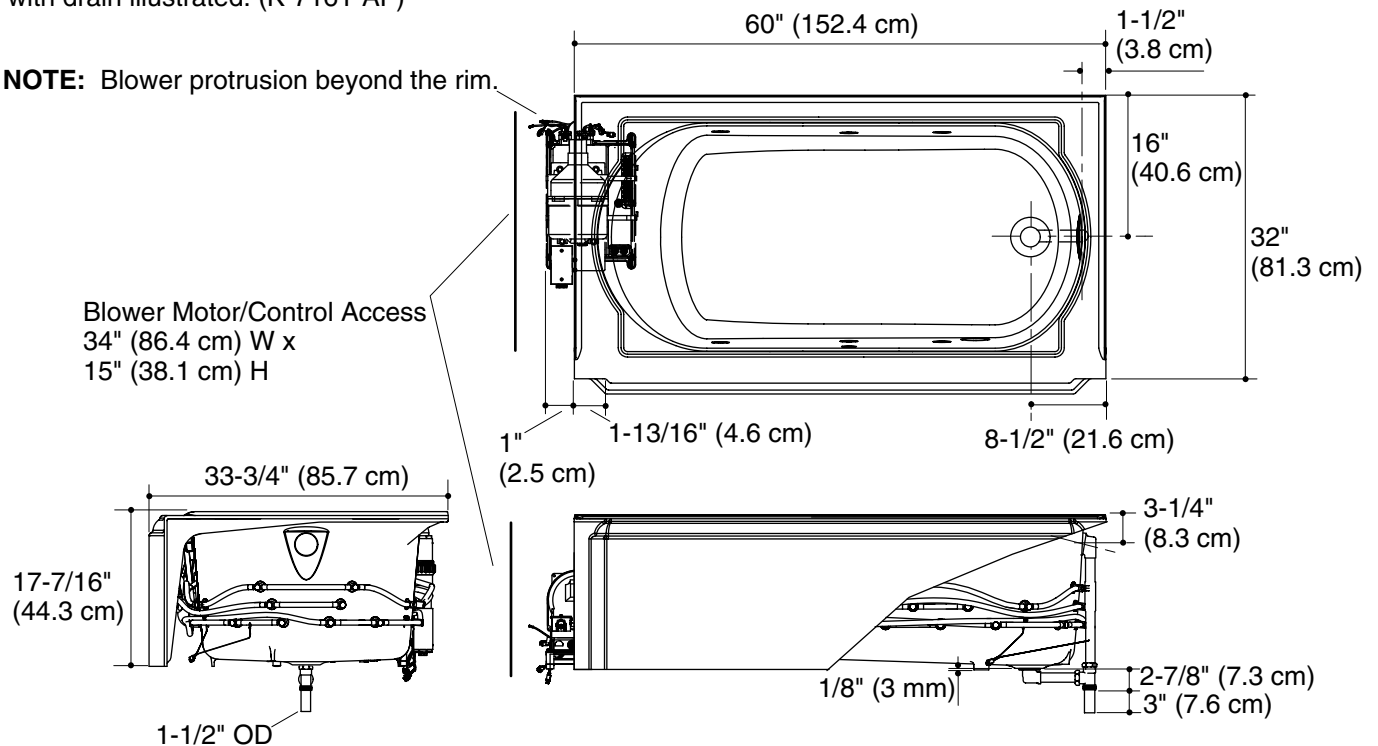
NOTICE: If the blower motor and check valve are relocated, two access panels are required. Locate one access panel at the blower motor/control location and the other at the control box. Locate the blower motor and check valve together.

Floor support under bath must provide for a minimum of 61 lbs/square foot (295 kg/square meter) loading.

Hot water supply should be 70% of capacity or greater. Installations will vary.

No change in measurements if connected with drain illustrated. (K-7161-AF)

NOTE: Blower protrusion beyond the rim.



Product Diagram